



SandShark™

A stylized graphic of a shark's dorsal fin, rendered in a solid black silhouette, positioned to the right of the product name.

**AUTOMATIC SWIMMING POOL CLEANER
AUTOMATISCHEN POOLREINIGER
AUTOMATISCHE ZWEMBADREINIGER
NETTOYEUR AUTOMATIQUE POUR PISCINES
LIMPIAFONDOS AUTOMATICO PARA PISCINAS
DISPOSITIVO AUTOMATICO DI PULIZIA PER PISCINE**



**Installation guide / Installatiehandleiding
Bedienungsanleitung / Guide de l'installation
Guia de instalacion / Guide all'installazione**

Customer Support

HERENTALS BELGIUM (8:30 A.M. to 4:30 P.M.) CET

Phone: +32 (0) 14 25 99 11

Website: www.pentairpooleurope.com

Declaration of Conformity

We declare, under our sole responsibility, that the product identified in this declaration, and to which this declaration relates, are in conformity with the protection requirements of Council Directive 98/37/EEG



The Manufacturer, Pentair Water Belgium BVBA, has the right to modify the products without previous notice.

© 2010 Pentair Water Pool, Inc. All rights reserved. This document is subject to change without notice

Trademarks and disclaimers. Pentair Pool Products®, Kreepy Krauly® & SandShark™ are trademark and/or registered trademark of Pentair Water Pool and Spa, Inc. and/or its affiliated companies. Unless noted, names and brands of others that may be used in this document are not used to indicate an affiliation or endorsement between the proprietors of these names and brands and Pentair Water Pool and Spa, Inc. Those names and brands may be the trademarks of those parties or others.

THESE OPERATING INSTRUCTIONS CONTAIN IMPORTANT INFORMATION ON THE SAFE, PROPER AND ECONOMICAL OPERATION OF THE SWIMMING POOL PUMPS. STRICT OBSERVATION OF THE OPERATING INSTRUCTIONS WILL HELP TO AVOID DANGERS, REDUCE REPAIR COSTS, SHUTDOWN TIMES AND INCREASE THE RELIABILITY AND WORKING LIFE OF THE PRODUCT.

Protected by one or more of the following U.S. Patents and all corresponding foreign counterparts: U.S. Pat. No. 5 261 287, 5 274 868, 5 404 607, 5 787 156, 5 799 351, 5 974 647, 6 237 175, D373 230, D401 023 and Canada Patent No. 2 090 195.

ENGLISH

SAFETY INFORMATION

WARNINGS - Please read the following before installing your new automatic pool cleaner!

- Hazardous suction can cause injury and drowning. Do not play with cleaner or hose or apply to body. Do not let children use or play with pool cleaner. Turn off pump before attempting to clean unit.
- Do not allow swimmers in pool while pool cleaner is operating.
- Suction entrapment, injury and drowning hazard. If your pool has a dedicated suction port (vacuum port) for vacuuming or for an automatic pool cleaner, it must be covered when not in use. If your dedicated suction port does not have a spring loaded cover (vacuum lock fitting) purchase one from your local pool store and install it before connecting pool cleaner to dedicated suction port.
- If your pool is exposed to large quantities of leaves, we suggest purchasing and installing an in-line leaf trap. A leaf trap will provide more debris-loading capacity and also provides a water by-pass when the basket is full. It is very important that the pump will get sufficient water flow !

BEFORE INSTALLATION

IMPORTANT FOR VINYL LINER POOL OWNERS :

Before installing the pool cleaner, examine the interior of your pool carefully. If your vinyl liner is brittle or has stones, wrinkles or metal corrosion in contact with the bottom side of the liner, or has damage to the base or supporting walls, do not install the pool cleaner before having a qualified professional perform the necessary repairs.

IMPORTANT FOR GUNITE (CONCRETE) POOL OWNERS :

Before installing the pool cleaner in a gunite (concrete) pool or pool that is partially or completely tiled, check closely for loose tiles and loose light fittings. Do not install the pool cleaner before having a qualified professional perform the necessary repairs.

Before installing the cleaner, clean your filter system:

Make sure you have cleaned the filter, including backwashing, rinsing, and emptying baskets. A clean system is necessary for proper cleaner operation and coverage.

Before installing the cleaner, fill the hose with water:

Always make sure the cleaner head is submerged and the hose is full of water before connecting the hose to the filtration system (whether through a skimmer or dedicated wall fitting). Air in the system can damage the pump through dry running and overheating.

Before installing the cleaner, understand the cleaner coverage:

The cleaner is designed to rid your pool of debris in approximately 4-6 hours. Less time could be needed, depending on the pool size. The cleaner was not designed to automatically clean steps or swimouts or to work under a solar cover. It was also not designed to do initial cleanup for a new pool or when opening your pool for the season.

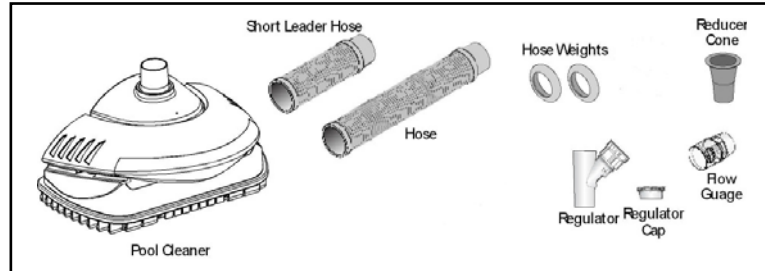
AFTER installing the cleaner, make sure the cleaner is operating correctly:

The cleaner may need some minor adjustments to make sure it is operating properly so there is no damage to the pool finish. Certain vinyl liner patterns are particularly susceptible to surface wear, pattern removal, ink rubbing off or serious scratches to the pattern caused by objects coming into contact with the vinyl surface, including automatic pool cleaners. Pentair Water Pool and Spa, Inc. is not responsible for any pattern removal, abrasions or markings on vinyl liners.

INSTALLATION

STEP 1 : Unpack and check parts

- ✓ Pool Cleaner
- ✓ Short Leader Hose (1pce – 0.37m)
- ✓ Hose (10pcs – 1m)
- ✓ Hose Weights (2pcs)
- ✓ Reducer Cone
- ✓ Regulator Valve
- ✓ Regulator Cap
- ✓ Flow Gauge



STEP 2 : Prepare your pool

- Vacuum clean your pool manually and assure that all large debris is removed.
- Chemically balance and stabilize the pool water.
- Clean your filter system.
- Empty the skimmer basket and pump basket.
- Empty the pump strainer basket.

STEP 3 : Close the main drain

- Close the main drain with the pump valve to provide adequate suction for the cleaner

STEP 4 : Adjust the return line

Important : The cleaner must move randomly throughout the pool. Water circulating at the surface will influence the hose thus limiting the cleaner's coverage.

- Adjust eyeball inlets such that water flow points downwards
- To adjust the eyeball diverters, loosen the lock ring and redirect the eyeball diverters slightly downwards and also try different directions to see what works best in your pool Allow time for the body of water to settle into new pattern. (1)

STEP 5 : Assemble the hose (2)

Connect together as many hose sections as needed to reach from the vacuum source to the furthest point of the pool, plus one or two sections if your vacuum source is located in the center of your pool. Short leader hose must be attached directly to the pool cleaner.

STEP 6 : Connection to a dedicated suction port

Important ! Assure that your dedicated suction port is fitted with a safety vacuum lock fitting. If not, obtain one from your local pool store and have it installed first. (3 – Pentair ref GW9530)

- If your pool does not have a dedicated suction port; go to Step 7.
- Insert the adjustable regulator valve (with cap) into the skimmer. Use the cone adapter if necessary. (4)
- Fill the hose with water and connect the end of submerged hose into the safety vacuum lock fitting of your dedicated suction port. (5)

Go to Step 9

STEP 7 : Connection to a skimmer

- If your pool does not have a dedicated suction port
 - Fill the hose with water and connect the end of submerged hose into the skimmer together with the adjustable regulator valve. (6)
 - The regulator cap is not used in this installation
 - Use the cone adaptor if necessary
- Go to Step 9

STEP 8 : Connection to a skimmer - pool with two skimmer connections

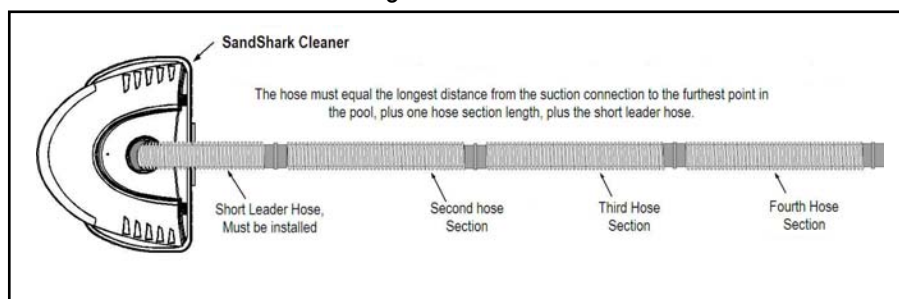
- If your pool has two skimmers select one skimmer for the cleaner and close off the other skimmer with the pump valve.
- Connect the end of submerged hose into selected skimmer as per step 7.

STEP 9 : Adjust the flow – Recommended min. flow 10m³/h

- Insert the flow gauge at the end of the last section of submerged hose. (7)
- With the pump running turn the adjustment knob of the regulator valve “Faster” or “Slower” until the disc indicator in the flow gauge settles between “Maximum” and “Minimum” flow, indicated on the flow gauge. (8)
- **Note:** If you have very strong pump and the flow is still over the “Maximum” you may need to open the main drain only slightly.
- Turn the pump off. Remove the flow gauge and connect the cleaner to the end of the submerged leader hose. Then turn the pump on.
- **Note:** The flow gauge is calibrated for use with the “Y” shaped vacuum regulator valve. The flow gauge will not indicate the correct flow for the cleaner if you are not using the “Y” shaped vacuum regulator valve.
- Remove the flow gauge from the end of the hose (the end with the “leader” hose attached) and attach the “leader” hose to the cleaner’s swivel.

STEP 10 : Connect the Hose to the Cleaner

- Connect the leader hose to the cleaner
- Fill the cleaner with water and let it sink to the bottom
- Verify hose connections as shown in Figure below



After completing the installation, turn the pool pump on and allow it to run for a couple of minutes to ensure that all air cycles out of the system.

NOTE : Each pool’s hydraulic system and vacuum connections are different. Be sure you have installed the vacuum regulator before you “fine-tune” the system. This not only regulates vacuum, but also acts as a safety device.

STEP 11 : Hose Adjustments

Hose Length

IMPORTANT: The pump must be on when you check the hose length. The hose contracts when the pump is operating and will be longer when the pump is off.

With the SandShark™ operating, position it at the furthest point of the pool from where it's attached. SandShark's hose should be long enough to reach the end of the pool, plus one hose section, plus the short leader hose. If necessary, remove extra hose sections from the center portion of the hose. Removing center hose sections avoids having to disturb the hose weight placement. Save extra hose sections for use as needed for replacement.

NOTE: Turn pool pump off when adding or removing hose sections.

Hose Balance

It may or may not be necessary to add weight to your hose, depending on your pool's size, shape, and depth. Try the cleaner first without any hose weights. If the hose is too buoyant, add the weight as shown in Figure 9.

To determine correct hose balance, turn the pump off and observe SandShark™. Hose balance is correct when SandShark™ rests flat on the pool floor. SandShark™ achieves the best cleaning coverage when the hose neither weighs down nor pulls up on the unit. Adjust hose weights 5cm at a time as needed, until proper hose balance is achieved. In pools with both shallow and deep areas, adjust hose weights first in the deep area and then in the shallow area.

Too much Vacuum Flow?

You have too much vacuum if the cleaner climbs up the pool wall past the water line to the point that the cleaner sucks air and the pump loses prime. Frequent loss of prime will damage the pump. To correct this, adjust the regulator by turning the adjustment knob counterclockwise. This will decrease the suction. If the cleaner still climbs out and sucks air, open the main drain valve slightly.

Not enough Vacuum Flow?

You don't have enough vacuum if the cleaner does not climb the pool walls, moves sluggishly, or not at all. Be sure the filter system is clean and the regulator and all valves are adjusted to give you maximum vacuum. If the cleaner is still not moving, your pump may not be strong enough to operate the cleaner. Please refer to the "Troubleshooting Section".

In-Line Leaf Canisters

If your pool is exposed to large quantities of leaves, we suggest purchasing and installing an in-line leaf canister, (P/N H-RA-211084), see Figure 10. A leaf canister will provide more debris-loading capacity and also provides a water by-pass when the canister is full. It is very important that the pump will not starve for water!

MAINTENANCE

Your cleaner requires very little maintenance. Check the following from time to time.

- Inspect if the oscillator moves freely and is not obstructed by debris.
- Inspect that vacuum pad is not excessively worn. When the traction pads on the bottom have worn down, it's time for replacement.
- Inspect the regulator valve and flush away any debris build up. (8)
- Clean your filter system.
- Empty the skimmer basket.
- Empty the pump strainer basket.
- Use your flow gauge to insure correct water flow for your cleaner. (7)
- For best results and to maintain proper operation, use only original hoses.
- Note: Remove the cleaner from the pool before the chemical shock treatment!!
- Your cleaner can stay in the pool at all times, however, when people are using the pool, disconnect the cleaner and pull it to one side of the pool.
- When storing or winterizing the cleaner, do not coil the hoses. Lay the hoses flat in an area protected from direct sunlight.

DISASSEMBLY

1. With a screwdriver, carefully work the rubber vacuum pad down over the lip of the Outer Housing (Picture 11)
2. Lift the Outer Housing straight up off of the chassis (Picture 12).
3. Squeeze and pull the Sprocket Clips to release the Drive Shaft Assembly and Center Sprocket (Picture 13).
4. Pull the Oscillator Straight out from the bottom of the Outer Housing. Be careful not to lose the Sliding Seals (Picture 14).
5. Squeeze the latching tabs and pull up on the Swivel Housing and Swivel. The assembly will come up, releasing the Swivel Sprocket. Squeeze the latching tabs to remove the Clutch Clip (Picture 15).
6. Remove the Shaft Plug with the stainless steel shaft and the Large Steering Drive Assembly (Picture 16).
7. Remove the Oscillator Sleeve, releasing the Oscillator Sleeve Bushing and the Clutch assembly, (Picture 17).
8. If you need to replace the bumper, turn the housing/bumper assembly upside down and remove the two flex snaps holding the bumper to the housing (Picture 18 & 19). Use a piece of ½ in. (inside diameter) PVC pipe to slide over the flex snap ends to squeeze the flex snaps together so they can be slid out of the housing. Use a pair of pliers to pop the flex snaps off of the bumper.

Reassembly

To reassemble the SandShark™, reverse the steps above.

NOTE: The notch on the center disk of the Large Steering Drive Assembly must be down, (as shown in Picture 20) for assembly.

Disclaimer of Liability

IMPORTANT WARNING FOR VINYL LINER POOL OWNERS : Vinyl liners are subject to deterioration or damage due to age, the effect of chemicals, sunlight, corrosion or failure of the supporting walls, as well as improper installation, maintenance or cleaning of the supporting walls or base. Before installing the pool cleaner, examine the interior of your pool carefully. If your vinyl liner is brittle or has stones, wrinkles, roots or metal corrosion in contact with the underside of the liner, or has damage to the base or supporting walls, do not install the pool cleaner before having a qualified professional perform the necessary repairs.

IMPORTANT WARNING FOR GUNITE POOL OWNERS : Before installing the pool cleaner in a gunite pool or pool that is partially or completely tiled; check closely for loose tiles and loose light fittings. Do not install the pool cleaner before having a qualified professional perform the necessary repairs.

The manufacturer disclaims any liability for repairs or replacement to any of these structures or components of the customer's pool.

LIMITED WARRANTY 2 YEARS

Further details : www.pentairpooleurope.com

TROUBLESHOOTING

PROBLEM	CORRECTIVE ACTION
<p>If SandShark™ moves slow or fails to climb walls: Dirty filter Dirty basket in pump hair and lint strainer Debris blocking the bottom of the cleaner Leaks in the hose Debris in the regulator Low water flow through the cleaner</p>	<p>Clean the filter Clean the basket Remove the debris Remove the leaky section Clean the regulator valve Close the main drain</p>
<p>If SandShark™ doesn't move or pulsates slowly or doesn't climb pool walls properly:</p>	<p>Make sure that the drain main drain and all other suction lines are closed, except the suction line to which the SandShark™ is attached. Check for sufficient flow through cleaner hose Check for debris in the filter or the pump strainer basket Check for debris in the SandShark's oscillator. Debris may prevent the oscillator movement or restrict the flow through the cleaner Check the oscillator for; damage; lost seals (there should be 4 seals); obstructed seals (seals should slide freely on the oscillator) Be sure that the short, soft flexible leader hose section is the first section in the hose assembly.</p>
<p>If SandShark™ climbs pool wall to water surface and sucks air:</p>	<p>Reduce water flow through cleaner, see Step 9 above</p>
<p>If SandShark™ tracks a repetitive pattern:</p>	<p>Check the pool return line water flow and redirect it as necessary with a return line eyeball diverter (see Step 4). Check the oscillator for: damage; lost seals (there should be 4 seals); obstructed seals (seals should slide freely on the oscillator) Check the SandShark's hose to be sure that it has not become kinked or bent. Do not coil the hose, as it will retain the coiled shape and reduce the cleaning coverage. To check the hose, lay each hose section flat on the pool deck (or another flat surface) and look down the length of the hose. It should be perfectly flat and straight. Replace any sections which are bent or kinked. Verify proper hose length (see Step 5) and correct the position of the hose weights (Step 11 – Picture 9) Remove or add one hose length. Be sure that the short, soft flexible leader hose section is the first section in the hose assembly.</p>

DEUTSCH

SICHERHEITSHINWEISE

ACHTUNG! – Lesen Sie vor Einbau Ihres neuen automatischen Poolreinigers die Sicherheitshinweise!

- Durch gefährlich starke Saugströmung besteht die Gefahr von Verletzungen und Ertrinken. Spielen Sie nicht mit dem Poolreiniger oder dem Schlauch und richten Sie diese nicht gegen den Körper von Menschen oder Tieren. Lassen Sie Kinder nicht mit dem Poolreiniger spielen oder arbeiten. Schalten Sie vor Reinigen des Geräts die Pumpe ab.
- Während der Poolreiniger in Betrieb ist dürfen sich keine Personen im Pool aufhalten.
- Es besteht die Gefahr von Verletzungen und Ertrinken durch die Saugwirkung des Geräts. Sofern Ihr Pool über einen eigenen Sauganschluss für das Saugen des Pools bzw. den Anschluss eines automatischen Poolreinigers besitzt, muss dieser bei Nichtgebrauch abgedeckt werden. Verfügt der Sauganschluss nicht über einen federgespannten Verschluss, besorgen Sie einen solchen Verschluss bei Ihren Händler vor Ort und bauen Sie diesen ein, bevor Sie den Poolreiniger an den Sauganschluss anschließen.
- Gelangen größere Mengen an Blättern in den Pool, sollte zusätzlich ein Blattfänger eingebaut werden. Der Blattfänger bietet eine größere Schmutzaufnahmekapazität und dient bei vollem Fangkorb zudem als Bypass für das Wasser. Es ist wichtig, dass die Pumpe jederzeit ausreichend Wasserdurchfluss erhält!

VOR DEM INSTALLIEREN

WICHTIGER HINWEIS FÜR BESITZER VON VINYL-POOLS: Unterziehen Sie die Innenseiten Ihres Pools vor Einbau des Poolreinigers einer gründlichen Inspizierung. Ist das Vinyl spröde, drücken Steine, Verwerfungen oder rostende Metallteile gegen die Unterseite der Vinylschicht oder weisen die Boden- bzw. Stützwandflächen Schäden gleichwelcher Art auf, lassen Sie den Pool unbedingt vom Fachmann reparieren, bevor Sie den Poolreiniger installieren.

WICHTIGER HINWEIS FÜR BESITZER VON SPRITZBETON-POOLS: Installieren Sie den Reibbelageinsatz und überprüfen Sie gründlich auf lockere Fliesen und lockere Beleuchtungskörper, bevor Sie das Poolreinigungsgerät in einem Beton- oder teilweise gefliesten Pool anbringen, wenn qualifiziertes Fachpersonal die notwendigen Reparaturen durchgeführt hat.

Säubern Sie Ihr Filtersystem, bevor Sie den Reiniger installieren:

Sorgen Sie dafür, dass Sie den Filter gereinigt haben, einschließlich Rückspülung, Spülen und Leeren aller Körbe. Ein sauberes System ist die Voraussetzung für den ordnungsgemäßen Betrieb und die Leistung des Reinigers.

Füllen Sie den Schlauch mit Wasser, bevor Sie den Reiniger installieren:

Sorgen Sie immer dafür, dass sich das Reinigungsgerät unter Wasser befindet und der Schlauch mit Wasser gefüllt ist, bevor Sie den Schlauch an das Filtersystem anschließen (entweder über einen Skimmer oder eine entsprechende Wandarmatur). Luft im System kann die Pumpe schädigen, indem sie trocken läuft oder sich überhitzt.

Beachten Sie die Leistungsdaten des Reinigers, bevor Sie ihn installieren:

Der Reiniger ist so ausgelegt, dass Ihr Pool in ca. 4 bis 6 Stunden schmutzfrei ist. In Abhängigkeit von der Poolgröße ist gegebenenfalls weniger Zeit erforderlich. Der Reiniger wurde nicht für die automatische Reinigung von Treppen oder Leitern oder den Betrieb unter einem Sonnenschutz konzipiert. Auch wurde er nicht für die Erstreinigung eines neuen Pools oder eines Pools zu Saisonbeginn konstruiert.

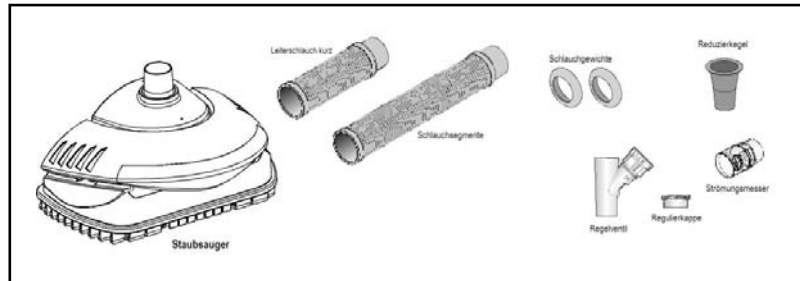
Kontrollieren Sie NACH der Montage des Geräts die richtige Funktion des Reinigers:

Gegebenenfalls müssen ein paar kleinere Anpassungen vorgenommen werden, um die ordnungsgemäße Funktion zu gewährleisten und die Oberfläche des Pools nicht zu beschädigen. Bestimmte Strukturen von Vinyl-Linern sind besonders anfällig gegenüber Oberflächenverschleiß, Strukturabtrag, Farbabbau oder schwere Kratzer an der Struktur, wenn Gegenstände wie auch automatische Poolreiniger mit der Vinyloberfläche in Kontakt kommen. Pentair Water Pool and Spa, Inc. übernimmt keine Verantwortung für Strukturabtrag, Abrieb oder Spuren auf Vinyl-Linern.

INSTALLIEREN

SCHRITT 1: Auspacken und Einzelteilprüfung

- ✓ Staubsauger
- ✓ Leiterschlauch kurz (1pce – 0.37m)
- ✓ Schlauchsegmente (10pcs – 1m)
- ✓ Reduzierkegel
- ✓ Schlauchgewichte (2pcs)
- ✓ Regelventil
- ✓ Regulierkappe
- ✓ Strömungsmesser



SCHRITT 2: Vorbereiten des Pools

- Saugen Sie den Pool von Hand, um allen gröberen Schmutz zu entfernen.
- Nehmen Sie eine chemische Behandlung und Stabilisierung des Poolwassers vor.
- Reinigen Sie das Poolfiltersystem.
- Leeren Sie den Skimmer-Korb.
- Leeren Sie den Pumpenfilterkorb.

SCHRITT 3: Schließen der Hauptablaufleitung

Schließen Sie über das Pumpenventil den Hauptablauf, um eine ausreichend hohe Saugleistung für den Poolreiniger zu gewährleisten.

SCHRITT 4: Justieren der Rücklaufleitung

Wichtig: Der Poolreiniger muss sich in einem Zufallsmuster durch den Pool bewegen. Die Wasserzirkulation an der Pooloberfläche beeinflusst die Schlauchbewegung und kann dadurch die Reichweite des Poolreinigers einschränken.

- Justieren Sie die augenförmigen Umlenkeinsätze so, dass der Wasserfluss nach unten gerichtet ist.
- Zum Einstellen der Umlenkaugen den Federring lösen und die Umlenkaugen nach unten drehen. Sie können verschiedene Ausrichtungen ausprobieren, um die optimale Einstellung für Ihren Pool zu ermitteln. Warten Sie ein wenig, bis sich die Wassermenge im Pool der neuen Fließrichtung anpasst. (1)

SCHRITT 5: Verbinden der Schlauchsegmente

Verbinden Sie so viele Schlauchsegmente miteinander, wie erforderlich sind, um vom Sauganschluss zum entferntesten Punkt des Pools zu gelangen. Fügen Sie ein bis zwei weitere Schlauchsegmente hinzu, wenn sich der Sauganschluss in der Mitte des Pools befindet. (3)

Kurze Leiter Schlauch muss an den Schwimmbad-Reiniger befestigt werden

SCHRITT 6: Anschluss an einen dedizierten Sauganschluss

Wichtig! Stellen Sie sicher, dass der verwendete Sauganschluss über ein geeignetes Sicherheits-Anschlussstück für Saugleitungen verfügt. Ist dies nicht der Fall, besorgen Sie ein solches Anschlussstück bei Ihrem Händler vor Ort und lassen Sie dieses einbauen, bevor Sie den Poolreiniger installieren. (3 – Pentair Ref GW9530)

- Verfügt Ihr Pool nicht über einen dedizierten Sauganschluss, gehen Sie über zu Schritt 8.
- Bauen Sie das justierbare Regelventil (mit Regulierkappe) in den Skimmer ein. Verwenden Sie bei Bedarf den Reduzierkegel. (4)
- Füllen Sie den Schlauch mit Wasser und schließen Sie das Ende des Schlauches unter Wasser an das Sicherheits-Anschlussstück des dedizierten Sauganschlusses an. (5)

SCHRITT 7: Anschluss an einen Skimmer

Wenn Ihr Pool nicht über einen dedizierten Sauganschluss verfügt:

- Füllen Sie den Schlauch mit Wasser und schließen Sie das Ende des Schlauches unter Wasser zusammen mit dem justierbaren Regelventil an den Skimmer an. (6)
- Die Regulierkappe wird in diesem Fall nicht benötigt.
- Verwenden Sie bei Bedarf den Reduzierkegel.

SCHRITT 8: Anschluss an einen Skimmer - Pools mit 2 Skimmer-Anschlüssen

- Besitzt Ihr Pool zwei Skimmer, wählen Sie einen der Skimmer als Anschluss für den Poolreiniger und regeln Sie den zweiten Skimmer über das Pumpenventil ab.
- Schließen Sie das Ende des Schlauches unter Wasser wie unter Schritt 7 beschrieben an den gewählten Skimmer an.

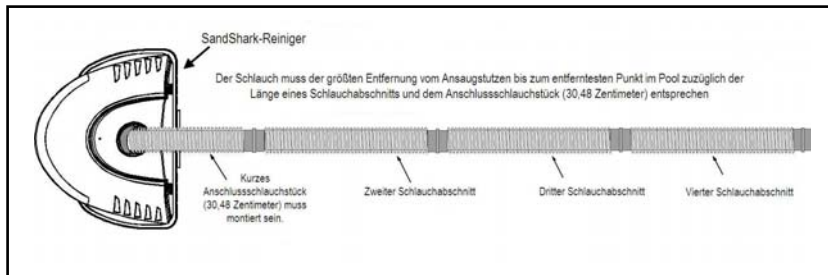
SCHRITT 9: Justieren des Durchflusses – empfohlen min. 10m³/h

- Stecken sie den Strömungsmesser auf das Ende des letzten Schlauchabschnitts unter Wasser.(7)
- Schalten Sie die Pumpe ein und drehen Sie den Regler am Regulierventil in Richtung „Faster“ (Schneller) oder „Slower“ (Langsamer), bis sich die Scheibenanzeige des Strömungsmessers zwischen den Werten „Maximum“ und „Minimum“ wie auf dem Strömungsmesser aufgedruckt einpegelt. (8)
- **Hinweis:** Ist eine sehr leistungsstarke Pumpe installiert und liegt der Strömungswert auch nach dem Justieren weiterhin über „Maximum“, muss der Hauptablauf ein kleines Stück geöffnet werden.
- Schalten Sie die Pumpe aus. Nehmen Sie de Strömungsmesser ab und schließen Sie den Poolreiniger an das Schlauchende unter Wasser an. Schalten Sie anschließend die Pumpe wieder ein.
- **Hinweis:** Der Durchflussmesser ist für die Verwendung mit dem Vakuumregulierventil in Y-Ausführung geeicht. Wird der Durchflussmesser nicht mit dem Y-Vakuumregulierventil verwendet, erfolgt keine korrekte Anzeige der Durchflussmenge für den Reiniger.
- Entfernen Sie den Durchflussmesser vom Ende des Schlauchs (von dem Ende, an dem das Anschlusschlauchstück befestigt ist) und befestigen Sie das Anschlusschlauchstück am Drehring des Reinigers.

SCHRITT 10: Anschließen des Schlauchs an den Reiniger

- Schließen Sie das Anschlusschlauchstück an den Reiniger an
- Füllen Sie den Reiniger mit Wasser und lassen Sie ihn auf den Boden sinken
- Achten Sie darauf, dass die Anschlüsse der Abbildung entsprechen.

Nach Abschluss der Montagearbeiten **schalten Sie die Poolpumpe ein** und lassen sie ein paar Minuten laufen, um das Entweichen der gesamten Luft aus dem System zu gewährleisten.



Hinweis: Die Hydrauliksysteme und Vakuumanschlüsse sind bei jedem Pool anders. Kontrollieren Sie, dass Sie die Vakuumregulierung installiert haben, bevor Sie mit der Feinjustierung des Systems beginnen. Dieses Regulierventil dient nicht nur der Vakuumregulierung, sondern fungiert auch als Sicherheitseinrichtung.

SCHRITT 11: Schlauchanpassungne

Schlauchlänge

WICHTIG: Die Pumpe muss eingeschaltet sein, wenn Sie die Schlauchlänge kontrollieren. Der Schlauch zieht sich zusammen, wenn die Pumpe läuft, und ist länger, wenn die Pumpe ausgeschaltet ist.

Läuft der SandShark™, bringen Sie ihn an den Punkt im Pool, wo er am weitesten von seinem Anschlusspunkt entfernt ist. (Es ist ganz leicht den SandShark™ im Pool zu positionieren, indem Sie ihn mit Stange und Bürste Ihres Pools bewegen.) Der Schlauch des SandShark sollte lang genug sein, um bis zum Ende des Pools zu reichen, wozu noch ein Schlauchabschnitt und das kurze Anschlussschlauchstück hinzuzurechnen sind. Wenn erforderlich, entfernen Sie zusätzliche Schlauchabschnitte aus der Mitte des Schlauchs. Beim Entfernen der mittleren Schlauchstücke wird die Anordnung der Schlauchgewichte nicht gestört. Heben Sie die nicht benötigten Schlauchabschnitte als mögliche Ersatzteile auf.

HINWEIS: Schalten Sie die Pumpe ab, wenn Sie Schlauchabschnitte hinzufügen oder entfernen.

Gewichtsausgleich des Schlauchs

In Abhängigkeit von der Größe Ihres Pools, seiner Form und Tiefe kann es möglicherweise erforderlich sein, das Gewicht Ihres Schlauchs zu erhöhen. Probieren Sie den Reiniger zuerst ohne Schlauchgewichte aus. Ist der Schlauch zu leicht, geben Sie Gewicht, wie in Abbildung 9, gezeigt zu.

Um den richtigen Gewichtsausgleich des Schlauchs zu bestimmen, schalten Sie die Pumpe ab und beobachten den SandShark™. Bei einem richtigen Gewichtsausgleich des Schlauchs liegt der SandShark flach auf dem Poolboden. Mit dem SandShark™ wird die beste Reinigungsleistung erzielt, wenn der Schlauch am Gerät weder nach unten drückt noch nach oben zieht. Ordnen Sie die Schlauchgewichte in Abständen von jeweils 2,54 Zentimetern nach Erfordernis an, bis der richtige Schlauchausgleich erreicht ist. Bei einem Pool mit sowohl flachem als auch tiefem Bereich ordnen Sie die Schlauchgewichte zuerst im tiefen und dann im flachen Bereich an.

Zu hoher Vakuumstrom?

Ihr Vakuum ist zu hoch, wenn der Reiniger die Poolwand hinter dem Wassereinlauf bis zu dem Punkt aufsteigt, dass der Reiniger Luft ansaugt und die Pumpe Luft zieht. Zieht die Pumpe öfter Luft, wird sie beschädigt. Um dem vorzubeugen, nehmen Sie Einstellungen am Regler vor, indem Sie den Drehknopf entgegen dem Uhrzeigersinn drehen. Damit wird der Ansaugdruck verringert. Steigt der Reiniger danach noch immer auf und saugt Luft an, öffnen Sie leicht das Hauptablaufventil.

Zu geringer Vakuumstrom?

Sie haben nicht genug Vakuum, wenn der Reiniger nicht die Poolwände hinaufsteigt oder sich träge oder gar nicht bewegt. Kontrollieren Sie, dass das Filtersystem sauber und der Regler und alle Ventile auf eine maximale Vakuumversorgung eingestellt sind. Bewegt sich der Reiniger dann immer noch nicht, ist Ihre Pumpe für den Betrieb des Reinigers eventuell nicht leistungsstark genug. Siehe Abschnitt "*Fehlerbeseitigung*".

Integrierter Blattauffangbehälter

Wenn bei Ihrem Pool ein hohes Aufkommen an Blättern besteht, empfehlen wir den Kauf und Einbau eines integrierten Blattauffangbehälters (P/N H-RA-211084). Ein Blattauffangbehälter hat ein höheres Auffangvermögen und verfügt über einen Wasser-Bypass, wenn der Behälter voll ist. Sehr wichtig ist dabei, dass die ausreichende Wasserversorgung der Pumpe gewährleistet ist! (Bild 10)

INSTANDHALTUNG

Der Poolreiniger benötigt allgemein nur sehr wenig Instandhaltung. Die untenstehenden Punkte sollten jedoch von Zeit zu Zeit überprüft werden.

- Inspizieren Sie dass der Oszillator frei bewegt und nicht durch Verschmutzung behindert wird
- Inspizieren dass die Saugerunterlage nicht übermäßig verschlissen ist, Sind die Unterlagen am Boden verschlissen, ist es Zeit für einen Ersatz
- Inspizieren und reinigen Sie das Regelventil. (8)
- Reinigen Sie das Filtersystem.
- Leeren Sie den Skimmer-Korb.
- Leeren Sie den Pumpenfilterkorb.
- Prüfen Sie mit Hilfe des Strömungsmessers den korrekten Wasserdurchfluss im Poolreiniger. Für optimalen und sicheren Betrieb sollten ausschließlich Originalschläuche verwendet werden. (7)
- Hinweis: Nehmen Sie den Poolreiniger vor chemischen Schockbehandlungen aus dem Pool!!
- Der Poolreiniger kann immer im Pool verbleiben. Wenn sich Personen im Pool aufhalten, sollte der Poolreiniger jedoch abgesteckt und zur Poolseite hin gezogen werden.
- Bei Aufbewahren bzw. Einwintern des Poolreinigers die Schlauchsegmente nicht aufrollen. Die Schlauchsegmente in einem vor direkter Sonneneinstrahlung geschützten Bereich gerade auslegen.
- Unterziehen Sie dass Sie, wenn der Reiniger mit großen Schmutzteilen (Blättern, Stöcken usw.) verstopft ist, diesen Schmutz vom Boden des Geräts entfernen

Demontage

1. Nehmen Sie mittels eines Schraubendrehers vorsichtig die Gummierunterlage des Saugers über den Rand des Außengehäuses ab (siehe Abbildung 11).
2. Ziehen Sie das Außengehäuse gerade nach oben vom Untergestell ab (siehe Abbildung 12).
3. Drücken Sie die Clips des Führungsrad zusammen und entfernen Sie sie, um die Baugruppe der Antriebswelle und das Mittelrad freizulegen (siehe Abbildung 13).
4. Ziehen Sie den Oszillator gerade aus der Unterseite des Außengehäuses heraus. Achten Sie darauf, nicht die Gleitdichtungen zu verlieren (siehe Abbildung 14).
5. Drücken Sie die Sicherungstreifen zusammen und ziehen Sie sie zum Oszillatorgehäuse und Oszillator hoch. Die Baugruppe kommt hoch und löst dabei das Oszillatrorad. Drücken Sie die Sicherungstreifen zusammen, um die Kupplungsklemme zu entfernen (siehe Abbildung 15).
6. Entfernen Sie den Wellenverschluss mit der Edelstahlwelle und die große Lenktriebebaugruppe (siehe Abbildung 16)
7. Entfernen Sie die Oszillatorhülse und lösen Sie die Muffe der Oszillatorhülse und die Kupplungsbaugruppe (siehe Abbildung 17).
8. Müssen Sie den Stoßdämpfer entfernen, drehen Sie die Gehäuse-/Stoßdämpfer-Baugruppe nach oben und entfernen die beiden flexiblen Sicherungen, mit denen der Stoßdämpfer am Gehäuse befestigt ist (siehe Abbildung 18 & 19). Verwenden Sie ein PVC-Rohr ½ inch (Innendurchmesser), das Sie über die Enden der flexiblen Sicherungen gleiten lassen, um sie so zusammendrücken, dass sie aus dem Gehäuse herausgezogen werden können. Verwenden Sie eine Zange, um die flexiblen Sicherungen vom Stoßdämpfer abzuziehen.

Wiederzusammenbau

Um den SandShark™ wieder zusammenzubauen, folgen Sie den vorstehenden Demontageanweisungen in umgekehrter Reihenfolge.

Hinweis: Die Aussparung auf der mittleren Scheibe der großen Lenktriebebaugruppe muss für die Montage nach unten zeigen (wie in Abbildung 20 dargestellt).

Haftungsausschluss

WICHTIGER HINWEIS FÜR BESITZER VON VINYL-POOLS : Vinyl ist anfällig für Beeinträchtigungen und Schädigungen durch Alter, Einwirken von Chemikalien, Sonnenlicht, Korrosion oder mangelnde Festigkeit der Stützwände, sowie durch nicht fachgerechte Installation, Wartung oder Reinigung der Stützwände und Bodenflächen. Unterziehen Sie die Innenseiten Ihres Pools vor Einbau des Poolreinigers einer gründlichen Inspizierung. Ist das Vinyl spröde, drücken Steine, Verwerfungen, Wurzeln oder rostende Metallteile gegen die Unterseite der Vinylschicht oder weisen die Boden- bzw. Stützwandflächen Schäden gleich welcher Art auf, lassen Sie den Pool unbedingt vom Fachmann reparieren, bevor Sie den Poolreiniger installieren.

WICHTIGER HINWEIS FÜR BESITZER VON SPRITZBETON-POOLS: Unterziehen Sie Pools aus Spritzbeton bzw. teilweise oder komplett gekachelte Pools vor Einbau des Poolreinigers einer gründlichen Inspizierung auf lockere Fliesen und lose Verbindungen. Lassen Sie erforderliche Reparaturen unbedingt vom Fachmann ausführen, bevor Sie den Poolreiniger installieren.

Der Hersteller übernimmt keine Haftung für Reparaturen oder Erneuerungen dieser Elemente und Komponenten im Pool des Kunden.

EINGESCHRÄNKTE 2-JÄHRIGE GEWÄHRLEISTUNG

Weitere Details: www.pentairpooleurope.com

FEHLERBEHEBUNG

PROBLEM	BESEITIGUNG
<p>Der SandShark™ bewegt sich langsam oder steigt nicht die Wände hoch: Verschmutzter Filter Verschmutzter Korb in der Fremdkörperfalle Schmutz blockiert den Boden des Reinigers Undichte Stellen im Schlauch Schmutz in der Reguliereinrichtung Geringer Wasserfluss durch den Reiniger</p>	<p>Reinigen Sie den Filter. Reinigen Sie den Korb. Entfernen Sie den Schmutz. Entfernen Sie die undichte Stelle. Reinigen Sie das Regulierventil. Sperren Sie den Hauptablauf.</p>
<p>Der SandShark™ bewegt sich nicht, pulsiert langsam oder klettert nicht ordnungsgemäß die Wände hoch:</p>	<p>Kontrollieren Sie, dass der Hauptablauf und alle anderen Saugleitungen geschlossen sind, außer der Saugleitung, an der der SandShark™ angeschlossen ist. Kontrollieren Sie, dass der Durchfluss durch den Reinigerschlauch ausreichend hoch ist. Kontrollieren Sie, ob sich im Filter oder Abscheiderkorb der Pumpe Schmutz befindet. Kontrollieren Sie, ob sich Schmutz im SandShark-Oszillator befindet. Schmutz kann die Oszillatorbewegung behindern oder den Durchfluss durch den Reiniger beeinträchtigen. Kontrollieren Sie den Oszillator auf: Beschädigungen, fehlende Dichtungen (es sollten 4 Dichtungen vorhanden sein): verklemmte Dichtungen (die Dichtungen sollten frei auf dem Oszillator gleiten). Gewährleisten Sie, dass das kurze und weiche, flexible Anschlusschlauchstück vorn am Schlauch sitzt (direkt am Reiniger).</p>
<p>Der SandShark™ klettert die Poolwand herauf bis zur Wasseroberfläche und saugt Luft an:</p>	<p>Verringern Sie den Wasserdurchfluss durch den Reiniger. Siehe Anpassen der Durchflussmenge auf Schritt 9</p>
<p>Der SandShark™ fährt ein Muster wiederholt ab:</p>	<p>Kontrollieren Sie den Wasserstrom der Rücklaufleitung des Pools und lenken Sie ihn je nach Erfordernis mit einem Kugeldiverter der Rücklaufleitung um (siehe vorstehenden Punkt "Montage des Kugeldiverters"). Kontrollieren Sie den SandShark-Schlauch auf Knickstellen oder Verknotungen. Wickeln Sie den Schlauch nicht auf, da er die aufgewickelte Form beibehält und sich somit die Reinigungsleistung verringert. Zur Kontrolle des Schlauchs legen Sie die einzelnen Schlauchabschnitte flach auf die Poolkante (oder eine andere ebene Fläche) und überprüfen ihn dann von einem Ende zum anderen. Dabei sollte er absolut flach und gerade liegen. Ersetzen Sie alle Abschnitte, die geknickt oder verknotet sind. Kontrollieren Sie den Oszillator auf: Beschädigungen, fehlende Dichtungen (es sollten 4 Dichtungen vorhanden sein): verklemmte Dichtungen (die Dichtungen sollten frei auf dem Oszillator gleiten). Gewährleisten Sie, dass das kurze und weiche, flexible Anschlusschlauchstück vorn am Schlauch sitzt (direkt am Reiniger).</p>

NEDERLANDS

VEILIGHEIDSINFORMATIE

Lees de volgende informatie vooraleer u uw zwembadreiniger gaat installeren !

- Extreme zuigkracht kan tot letsel en verdrinking leiden. Speel niet met de reiniger of de slang en gebruik deze niet op uw lichaam. Laat geen kinderen de zwembadreiniger gebruiken of ermee spelen. Schakel de pomp uit voordat u gaat proberen het apparaat te reinigen.
- Laat geen zwemmers toe in het zwembad als de zwembad-reiniger actief is.
- Zwemmers lopen het gevaar op letsel of verdrinking door aanzuiging van de reiniger. Als uw zwembad een speciale aanzuigaansluiting heeft (vacuümaansluiting) voor stof-zuigen of voor een automatische zwembadreiniger, moet deze aansluiting worden afgedekt als deze niet in gebruik is. Als uw speciale aanzuigaansluiting niet over een veerklap (vacuümvergrendeling) beschikt, schaft u deze aan bij uw plaatselijke zwembadhandel en installeert u deze voordat u de zwembadreiniger aansluit op de speciale aanzuigaansluiting (7).
- Als er grote hoeveelheden bladeren in uw zwembad terechtkomen, adviseren wij u een geïntegreerde bladvanger aan te schaffen en te installeren. Een bladvanger helpt u meer vuil te verwijderen en biedt tevens het water een extra stromingspad als de opvangbak vol is. Het is zeer belangrijk dat de waterstroom naar de pomp voldoende is!

VOOR DE INSTALLATIE

! BELANGRIJK VOOR EIGENAARS VAN ZWEMBADEN MET VINYLBEKLEDING: Onderzoek, voordat u uw zwembadreiniger installeert, zorgvuldig de binnenkant van uw zwembad. Als de vinylbekleding broos is, als er stenen, kreuken of metaalcorrosie in contact komen met de onderkant van de bekleding, of als er vloeren of wanden beschadigingen vertonen installeert u uw zwembadreiniger pas nadat een bevoegde persoon de noodzakelijke reparaties heeft uitgevoerd.

! BELANGRIJK VOOR EIGENAARS VAN ZWEMBADEN VAN BETON OF CEMENT: Alvorens de zwembadreiniger te installeren in een zwembad met beton of cement, of een gedeeltelijk betegeld zwembad, moet nauwkeurig worden gecontroleerd of er losse tegels en losse lamparmaturen zijn. Installeer de zwembadreiniger niet, voordat u een bevoegde professional de noodzakelijke reparaties heeft laten uitvoeren.

Alvorens de zwembadreiniger te installeren, dient u uw filtersysteem te reinigen:

Zorg ervoor dat de filter gereinigd is, d.w.z. in tegenstroom uitgewassen ("backwashing") en gespoeld, en dat alle manden leeg zijn. Een schoon systeem is noodzakelijk voor een goed reinigende werking en dekking.

Alvorens de zwembadreiniger te installeren, dient u de slang met water te vullen:

Zorg er altijd voor dat de kop van de zwembadreiniger ondergedompeld is en de slang vol zit met water alvorens het slanguiteinde met het filtersysteem te verbinden (via een zogenaamde skimmer of een specifieke wandbevestiging). Lucht in het systeem kan de pomp beschadigen doordat hij droog zal draaien en oververhit raken.

Alvorens de zwembadreiniger te installeren, moet u begrijpen wat we bedoelen met de dekking van de zwembadreiniger:

De zwembadreiniger is ontworpen om vuil uit uw zwembad te halen in een tijdspanne van ongeveer 4 tot 6 uur. Het kan ook sneller, afhankelijk van de afmetingen van het zwembad. De zwembadreiniger is niet ontworpen om automatisch treden of schuine delen te reinigen of om te werken onder een zonnedeken. Hij is ook niet ontworpen om een nieuw zwembad voor de eerste keer of aan het begin van het seizoen te reinigen.

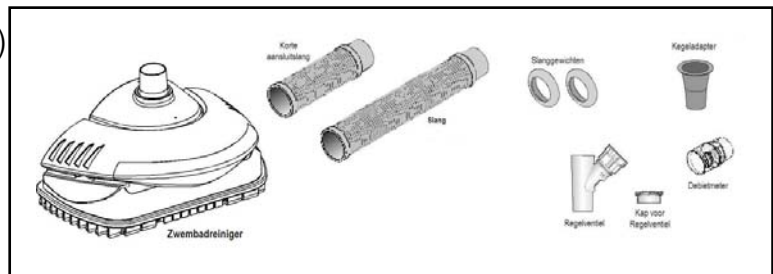
NA de zwembadreiniger geïnstalleerd te hebben, moet u ervoor zorgen dat hij goed werkt:

De zwembadreiniger kan enkele kleinere aanpassingen vergen om ervoor te zorgen dat hij goed werkt zodat hij de afwerking van het zwembad niet beschadigt. Bepaalde gestructureerde vinylbekledingen zijn bijzonder vatbaar voor slijtage van het oppervlak, het verwijderen van de oppervlaktestructuur, het afwrijven van de inkt of ernstige krassen op het patroon die veroorzaakt worden door voorwerpen die in contact komen met het vinyloppervlak, bv. automatische zwembadreinigers. Pentair Water Pool and Spa, Inc. is niet aansprakelijk voor eventuele verwijdering van het patroon, afschuring of markering op vinyl zwembadbekledingen.

INSTALLATIE

STAP 1 : Uitpakken en onderdelen controleren

- ✓ Zwembadreiniger
- ✓ Korte aansluitslang (0.37m – 1stuk)
- ✓ Slang (10stuks – 1m)
- ✓ Slanggewichten (2)
- ✓ Kegeladapter
- ✓ Regelventiel
- ✓ Kap voor regelventiel
- ✓ Debietmeter



STAP 2 : Uw zwembad voorbereiden

- Stofzuig uw zwembad en verwijder het belangrijkste vuil.
- Breng het zwembadwater chemisch in balans en stabiliseer het.
- Reinig uw filtersysteem.
- Maak de opvangbank van de skimmer leeg.
- Maak de zuigkorf van de pomp leeg.

STAP 3 : De hoofdafvoer sluiten

- Sluit de hoofdafvoer met de pompklep zodat voldoende zuigkracht beschikbaar is voor de reiniger.

STAP 4 : De terugvoerleiding aanpassen

! De reiniger moet zich in een willekeurig patroon door het zwembad bewegen. Water dat aan het oppervlak stroomt, is van invloed op de slang, waardoor het bereik van de reiniger wordt beperkt.

- Pas de inlaatopeningen van de wateromleiders aan zodat het water in neerwaartse richting stroomt
- U kunt de wateromleiders aanpassen door de vergrendelingring los te draaien en de wateromleiders licht naar beneden te laten wijzen. Probeer ook andere richtingen om te zien wat het beste werkt in uw zwembad. Wacht enige tijd om het water de gelegenheid te geven zich aan te passen aan het nieuwe patroon. (1)

STAP 5 : De slangen monteren

Koppel zoveel slangsegmenten aan elkaar als nodig is om van de vacuümpunt tot aan het verste punt van het zwembad te reiken, plus een of twee segmenten als uw vacuümpunt zich in het midden van het zwembad bevindt. (2) Zachte korte aansluitslang moet rechtstreeks op de stofzuiger aangesloten worden.

STAP 6 : Aansluiten op een speciale aanzuigaansluiting

OPGELET ! Controleer of uw speciale aanzuigaansluiting is voorzien van een veiligheidsaansluiting voor vacuümvergrendeling. Als dat niet het geval is, schaft u deze aan in een zwembadwinkel en laat u deze eerst installeren (3). (Pentair ref. GW9530)

- Als uw zwembad niet over een speciale aanzuigaansluiting beschikt, gaat u naar stap 7.
- Plaats de instelbare regelklep (met kap) in de skimmer. Gebruik zo nodig de kegeladapter (4)
- Vul de slang met water en sluit het uiteinde van de ondergedompelde slang aan op de veiligheidsaansluiting voor vacuümvergrendeling van uw speciale aanzuigaansluiting (5).

Ga vervolgens naar Stap 9

STAP 7 : Aansluiten op een skimmer

- Als uw zwembad niet over een speciale aanzuigaansluiting beschikt
- Vul de slang met water en sluit het uiteinde van de ondergedompelde slang aan op de skimmer en de instelbare regelklep (6).
- De regelkap wordt niet gebruikt bij deze installatie.
- Gebruik zo nodig de kegeladapter.

STAP 8 : Aansluiten op een zwembad met 2 skimmeraansluitingen

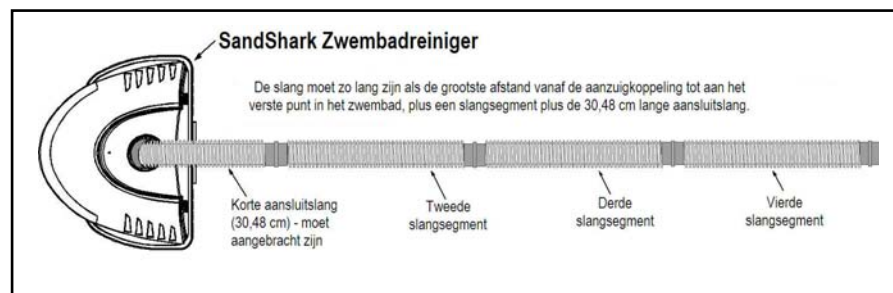
- Als uw zwembad twee skimmers heeft, selecteert u één skimmer voor de reiniger en sluit u de andere skimmer af met de pompklep.
- Sluit het uiteinde van de ondergedompelde slang in de geselecteerde skimmer op de wijze zoals aangegeven in stap 7.

STAP 9 : De stroom aanpassen – aan te raden min. Stroom : 10m³/h

- Plaats de debietmeter in het uiteinde van het laatste segment van de ondergedompelde slang (7).
- Draai, terwijl de pomp draait, de afstelknop van de regelklep richting "Faster" of "Slower" totdat de schijfindicator in de debietmeter een stroomsnelheid tussen "Maximum" en "Minimum" aangeeft (8).
- **Opmerking:** Als u over een zeer krachtige pomp beschikt en de stroomsnelheid is nog hoger dan de maximale waarde, moet u wellicht de hoofdafvoer een stukje openen.
- Schakel de pomp uit. Verwijder de debietmeter en sluit de reiniger aan op het uiteinde van de ondergedompelde aansluitslang. Schakel vervolgens de pomp weer in.
- **Opmerking:** de debietmeter is gekalibreerd voor gebruik met de "Y"-vormige vacuümregelklep. De debietmeter zal niet het juiste debiet aangeven voor de zwembadreiniger als u de "Y"-vormige vacuümregelklep niet gebruikt.
- Verwijder de debietmeter van het einde van de slang (het einde met de aansluitslang aan bevestigd) en bevestig de aansluitslang aan de draaiende koppeling (wartel) van de zwembadreiniger.

STAP 10 : De slang aansluiten op de zwembadreiniger

- Verbind de aansluitslang met de zwembadreiniger
- Vul de zwembadreiniger met water en laat hem tot op de bodem zakken
- Controleer de slangaansluitingen zoals getoond in Figuur hieronder



Na afloop van de installatie schakelt u de zwembadpomp in en laat u hem gedurende een paar minuten draaien om er zeker van te zijn dat alle lucht uit het systeem verdwenen is.

OPGELET: het hydraulische systeem en de vacuümkoppelingen verschillen van zwembad tot zwembad. Vergewis u ervan dat u de vacuümregelaar hebt geïnstalleerd alvorens u het systeem "fijn afstelt". De vacuümregelaar regelt niet alleen het vacuüm, maar fungeert ook als veiligheidsvoorziening.

STAP 11 : De slang aanpassen

Slanglengte

BELANGRIJK: de pomp moet draaien wanneer u de slanglengte controleert. De slang trekt namelijk samen wanneer de pomp draait en zal dus langer worden wanneer de pomp wordt uitgeschakeld.

Met werkende SandShark™ plaatst u deze op het verste punt van het zwembad ten opzichte van de bevestigingsplaats. (De SandShark™ is gemakkelijk in het zwembad verplaatsbaar met behulp van uw zwembadstang en -borstel.) De slang van de SandShark dient voldoende lang te zijn om het einde van het zwembad te kunnen bereiken, plus een slangsegment, plus het korte stukje aansluitslang. Indien nodig verwijdert u een aantal extra segmenten van het middelste gedeelte van de slang. Door slangsegmenten van het midden te verwijderen voorkomt u dat u de plaatsing van de slanggewichten verstoort. Bewaar de niet-gebruikte slangsegmenten om ze later als reservedelen te kunnen gebruiken.

OPMERKING: schakel de zwembadpomp uit bij het toevoegen of verwijderen van slangsegmenten.

De slang uitbalanceren

Afhankelijk van de grootte, de vorm en de diepte van uw zwembad, kan het al dan niet noodzakelijk zijn om een of meerdere gewichten aan uw slang toe te voegen. Probeer de zwembadreiniger eerst uit zonder slanggewichten. Als de slang te sterk de neiging vertoont te gaan drijven, voeg dan gewicht toe zoals getoond in Figuur 9.

Om de juiste slangbalans te bepalen, zet u de pomp uit en houdt u de SandShark™ in het oog. De slangbalans is in orde wanneer de SandShark plat op de bodem van het zwembad rust. De SandShark™ zal de beste dekking verwezenlijken wanneer de slang het toestel niet naar beneden drukt en ook niet omhoog trekt. Verplaats de slanggewichten in stappen van 2,54 cm tot u de juiste slangbalans verkrijgt. In zwembaden met zowel ondiepe als diepe zones dient u de slanggewichten eerst in de diepe zone en daarna in de ondiepe zone in te stellen.

Te veel zuigkracht?

U hebt te veel zuigkracht als de zwembadreiniger langs de wand van het zwembad omhoog klimt tot voorbij het wateroppervlak zodat hij lucht aanzuigt en de pomp niet meer goed gevoed wordt. Frequente luchtaanzuiging zal de pomp beschadigen. Om dit te corrigeren, verstelt u de regelaar door de instelknop linksom te draaien. Daardoor zal het zuigen verminderen. Als de zwembadreiniger nog altijd uit het zwembad klimt en lucht zuigt, open dan de hoofdafvoer kraan een beetje.

Onvoldoende zuigkracht?

U hebt onvoldoende zuigkracht als de zwembadreiniger niet tegen de wanden van het zwembad opklimt, en/of langzaam of helemaal niet beweegt. Zorg ervoor dat het filtersysteem schoon is en de regelaar en alle afsluiters goed ingesteld zijn om een maximale zuigkracht te verkrijgen. Als de zwembadreiniger nog altijd niet beweegt, dan is uw pomp wellicht niet sterk genoeg om hem te bedienen. Zie "Problemen oplossen"

Geïntegreerde bladvangers

Als er veel bladeren in uw zwembad vallen, dan raden we aan om een geïntegreerde bladvanger (artikel H-RA-211084) te kopen en te installeren. Een bladvanger helpt u om meer vuil te verwijderen en biedt tevens het water een extra stromingspad wanneer de bladvanger vol is. Het is heel belangrijk dat de pomp nooit droog loopt! (Afbeelding 10)

ONDERHOUD

Uw reiniger heeft maar heel weinig onderhoud nodig. Controleer van tijd tot tijd de volgende zaken.

- Inspecteer of de oscillator beweegt en niet verstopt wordt door afval
- Inspecteer of de bodemflap niet overdreven versleten is. Wanneer de ribben van de zool afgesleten zijn, is het tijd om ze te vervangen.
- Inspecteer de regelklep en spoel alle verzamelde vuil weg. (8)
- Reinig uw filtersysteem.
- Maak de opvangbak van de skimmer leeg.
- Maak het opvangmandje van de pomp leeg.
- Gebruik uw debietmeter om de juiste waterstroom in te stellen voor uw reiniger. (7)
- Gebruik alleen originele slangen. Alleen zo zijn optimale resultaten en een juiste werking gewaarborgd.
- ! Verwijder de reiniger uit het zwembad voordat u dit gaat reinigen met chemische middelen ! Wacht minstens vier uur na het toevoegen van de chemicaliën alvorens de zwembadreiniger weer in het zwembad aan te brengen
- De reiniger kan continu in het zwembad blijven. Als er mensen gebruikmaken van het zwembad, koppelt u de reiniger echter los en verplaatst u deze naar een van de hoeken van het zwembad.
- Rol de slangen niet op als u de reiniger opslaat of winterklaar maakt. Bewaar de uitgerolde slangen op een plek die is beschermd tegen direct zonlicht.
- Als de zwembadreiniger blokkeert door grote deeltjes vuil (bladeren, takken enz.), verwijder deze dan langs onder uit het toestel.

DEMONTAGE

1. Druk voorzichtig met behulp van een schroevendraaier de rubber zool over de rand van het buitenste huis (zie Figuur 11).
2. Hef het buitenste huis recht omhoog uit de zool (zie Figuur 12).
3. Knijp en trek aan de klemmen van het kettingwiel om het aandrijfsgewicht en het centrale kettingwiel vrij te maken (zie Figuur 13).
4. Trek de oscillator recht uit de bodem van het buitenste huis. Wees voorzichtig zodat u de glijdichtingen niet verliest (zie Figuur 14).
5. Knijp de blokkeerlippen dicht en trek het huis van de wartel en de wartel zelf omhoog. Het geheel zal omhoog komen, waardoor het tandwiel van de wartel vrij zal komen. Knijp de blokkeerlippen dicht om de clip van de koppeling te verwijderen (zie Figuur 15).
6. Verwijder de stop van de roestvrijstalen as en het grote stuurandwielgeheel (zie Figuur 16).
7. Verwijder de oscillatorkoker waardoor de lagerbus van de oscillatorkoker en het koppelingsgeheel vrijkomen (zie Figuur 17).
8. Als u het stootkussen (bumper) dient te vervangen, draai dan het huis/bumper-geheel ondersteboven en verwijder de twee soepele klemmen (Flex Snaps) waarmee de bumper op het huis is bevestigd (zie Figuren 18 & 19). Gebruik een stuk PVC-buis van 1,27 cm (binnendiameter) om de uiteinden van de soepele klemmen (Flex Snaps) samen te drukken zodat ze uit het huis kunnen worden geschoven. Gebruik een tang om de soepele klemmen uit de bumper te wippen.

Opnieuw ineenzetten

Om de SandShark™ opnieuw ineen te zetten, voert u de bovenstaande stappen in de omgekeerde volgorde uit.

OPMERKING: de inkeping in de middelste schijf van het grote stuurandwielgeheel moet zich bij de montage onderaan bevinden (zoals getoond op Figuur 20).

Afwijzing van aansprakelijkheid

BELANGRIJKE WAARSCHUWING VOOR EIGENAREN VAN ZWEMBADEN MET VINYLBEKLEDING: Vinylbekledingen slijten of raken beschadigd vanwege leeftijd, het effect van chemicaliën, zonlicht, corrosie of schade aan de wanden, evenals door fouten bij installatie, onderhoud of reiniging van wanden of vloer. Onderzoek, voordat u de zwembadreiniger installeert, zorgvuldig de binnenkant van uw zwembad. Als de vinylbekleding broos is, als er stenen, kreuken, wortels of metaalcorrosie in contact komen met de onderkant van de bekleding, of als de vloer of wanden beschadigingen vertonen, installeert u de zwembadreiniger pas nadat een bevoegde specialist de noodzakelijke reparaties heeft uitgevoerd.

BELANGRIJKE WAARSCHUWING VOOR EIGENAREN VAN ZWEMBADEN VAN BETON: Voordat u de zwembadreiniger installeert in een zwembad van cement of een zwembad dat geheel of gedeeltelijk is betegeld, controleert u zorgvuldig op losliggende tegels en losse lichte aansluitingen. Installeer de zwembadreiniger pas nadat een bevoegd specialist de benodigde reparaties heeft uitgevoerd.

De fabrikant weigert elke aansprakelijkheid voor reparaties of vervangingen van een van deze structuren of onderdelen van het zwembad van de klant.

BEPERKTE GARANTIE 2 JAAR

Meer informatie: www.pentairpooleurope.com

PROBLEMEN OPLOSSEN

PROBLEEM	WAT TE DOEN?
<p>Als de SandShark™ traag beweegt of niet tegen de wanden op klimt: Vuile filter Vervuilde mand in het pomphuis Deeltjes vuil blokkeren de onderkant van de reiniger Lekken in de slang Deeltjes vuil in de regelaar Gering waterdebiet door de zwembadreiniger</p>	<p>Reinig de filter. Reinig de mand. Verwijder het vuil. Verwijder het lekkende segment. Reinig de afsluiter van de regelaar. Sluit de hoofdafvoer.</p>
<p>Als de SandShark™ niet beweegt of traag pulseert of niet goed tegen de wanden van het zwembad opklimt:</p>	<p>Zorg er dan voor dat de hoofdafvoer en alle andere aanzuigleidingen gesloten zijn behalve de aanzuigleiding waaraan de SandShark™ bevestigd is. Controleer of er voldoende debiet is door de slang van de zwembadreiniger. Controleer op vuil in de filter of in de pompzeefmand. Controleer op vuil in de oscillator van de SandShark. Vuil kan de beweging van de oscillator hinderen of het debiet door de zwembadreiniger beperken. Controleer de oscillator op schade; op verloren dichtingen (er zouden er 4 moeten zijn): op geblokkeerde dichtingen (de dichtingen zouden vrij moeten glijden op de oscillator). Vergewis u ervan dat het korte, soepele slangsegment wel degelijk het eerste segment is van de slang (het dichtst bij de zwembadreiniger).</p>
<p>Als de SandShark™ langs de wand van het zwembad omhoog klimt tot aan het wateroppervlak en lucht aanzuigt:</p>	<p>Verminder het waterdebiet door de zwembadreiniger, zie "Debiet afstellen" (zie stap 9)</p>
<p>Als de SandShark™ steeds eenzelfde patroon herhaalt:</p>	<p>Controleer het waterdebiet in de retourleiding van het zwembad en geef het zo nodig een andere richting met een kogelomleider in de retourleiding (zie boven "Ga als volgt te werk om de kogelvormige omleiders aan te brengen"). Controleer of de slang van de SandShark niet gebogen of geknikt is. Wikkel de slang niet op, aangezien hij dan de spiraalvorm zal aannemen waardoor de dekking van het reinigen zal verminderen. Om de slang te controleren, legt u elk slangsegment plat op het deksel van het zwembad (of een ander effen oppervlak) en kijkt u met uw oog vlak naast de slang. Hij zou perfect plat en recht moeten zijn. Vervang alle segmenten die gebogen of geknikt zijn. Controleer de oscillator op: schade, verloren dichtingen (er zouden er 4 moeten zijn): geblokkeerde dichtingen (de dichtingen zouden vrij moeten glijden op de oscillator). Vergewis u ervan dat het korte, soepele slangsegment wel degelijk het eerste segment is van de slang (het dichtst bij de zwembadreiniger).</p>

FRANÇAIS

INFORMATIONS DE SÉCURITÉ

AVERTISSEMENT – Veuillez lire attentivement ce qui suit avant d'installer votre nouveau nettoyeur automatique de piscine!

- Une aspiration est dangereuse et peut causer des blessures ou la noyade. Ne jouez pas avec le nettoyeur ou le tuyau, ne l'appliquez pas sur le corps. Ne laissez pas des enfants utiliser ou jouer avec le nettoyeur de piscines. Arrêtez la pompe avant d'utiliser l'appareil de nettoyage.
- Empêchez toute personne de se baigner pendant que le nettoyeur fonctionne. Subir une aspiration du nettoyeur peut causer des blessures ou la noyade. Si votre piscine est équipée d'une prise balai pour le nettoyage par aspiration ou pour un nettoyeur de piscine automatique, elle doit être recouverte lorsqu'elle n'est pas utilisée. Si l'orifice d'aspiration n'est pas équipé d'un bouchon, achetez-en un auprès de votre piscinier et installez-le quand vous n'utilisez pas le nettoyeur.
- Si beaucoup de feuilles tombent dans votre piscine, nous vous conseillons d'acheter et d'installer un piège à feuille en ligne. Ce piège à feuille offrira une capacité de charge de débris accrue et permettra une dérivation de l'eau lorsque le panier sera plein. Il est important que la pompe soit suffisamment alimentée en eau !

AVANT L'INSTALLATION

AVERTISSEMENT IMPORTANT DESTINÉ AUX PROPRIÉTAIRES DE PISCINES AVEC REVÊTEMENT EN VINYLE : Avant d'installer le nettoyeur de piscines, examinez l'intérieur de votre piscine attentivement. Si votre revêtement en vinyle est cassant ou présente des aspérités ou des plis dus à des pierres ou encore si le bas du revêtement est en contact avec de la rouille ou si le fond de la piscine ou les murs porteurs sont endommagés, alors n'installez pas le nettoyeur de piscine avant qu'un spécialiste a effectué les réparations nécessaires.

AVERTISSEMENT POUR LES PROPRIÉTAIRES DE PISCINE EN BÉTON PROJETÉ (GUNITÉ) : Avant d'installer l'appareil de nettoyage dans un bassin en béton projeté ou un bassin partiellement carrelé, installez la pièce d'insertion de la plaque de friction et vérifiez soigneusement l'absence de carreaux décollés et de luminaires mal fixés. N'installez pas l'appareil de nettoyage avant qu'un professionnel qualifié n'ait effectué les réparations nécessaires.

Avant d'installer le nettoyeur, nettoyez votre système de filtration :

Assurez-vous que le filtre est nettoyé, et qu'il y a eu un contre-lavage, un rinçage et le vidage de tous les paniers. Un système propre est indispensable pour un fonctionnement et une couverture corrects du nettoyeur.

Avant d'installer le nettoyeur, remplissez le flexible d'eau :

Assurez-vous toujours que la tête du nettoyeur est immergée et que le flexible est rempli d'eau avant de brancher le flexible au système de filtration (via un skimmer ou un raccord mural spécifique). De l'air dans le système peut endommager la pompe suite à un fonctionnement à sec ou une surchauffe.

Avant d'installer le nettoyeur, familiarisez-vous avec la couverture du nettoyeur :

Le nettoyeur est conçu pour débarrasser votre piscine des débris en environ 4-6 heures. Il pourrait falloir moins de temps en fonction de la taille de la piscine. Le nettoyeur n'a pas été conçu pour nettoyer automatiquement les marches et les accès directs ou pour travailler sous un couvercle solaire. Il n'a pas non plus été conçu pour effectuer un nettoyage initial d'une nouvelle piscine ou pour la réouverture saisonnière de votre piscine.

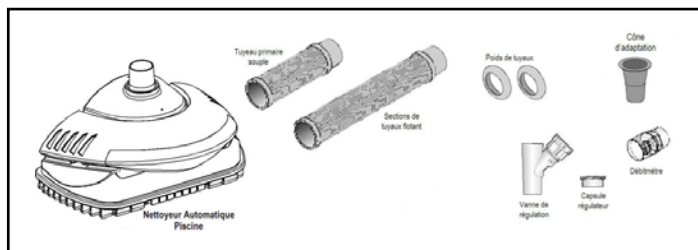
APRÈS installation du nettoyeur, assurez-vous que le nettoyeur fonctionne correctement :

Le nettoyeur peut nécessiter de petits réglages pour fonctionner convenablement et éviter des dégâts à la piscine. Certains liners en vinyle sont particulièrement sensibles à l'usure de surface, à l'élimination de leur motif, au frottement de l'encre du motif ou aux griffes sur le motif provoquées par des objets entrant en contact avec la surface en vinyle, notamment des nettoyeurs automatiques de piscine. Pentair Water Pool and Spa, Inc. décline toute responsabilité en cas d'élimination du motif, d'abrasions ou de marques dans les liners en vinyle.

INSTALLATION

ÉTAPE 1 : Déballage et vérification du contenu

- ✓ Corps du nettoyeur
- ✓ Poids de tuyaux (2)
- ✓ Cône d'adaptation
- ✓ Vanne de régulation
- ✓ Capsule régulateur
- ✓ Débitmètre
- ✓ Tuyeau Primaire Souple (1pc – 0.37m)
- ✓ Sections de tuyaux flottant (10pcs – 1m)



ÉTAPE 2: Préparation de la piscine

- Aspirez votre piscine manuellement et assurez-vous d'avoir éliminé tous les gros débris.
- Effectuez la balance chimique et stabilisez l'eau de la piscine.
- Nettoyez votre filtre par contre-lavage.
- Videz le panier du skimmer
- Videz le pré-filtre de la pompe

ÉTAPE 3 : Fermeture du collecteur principal

Fermez la vanne de la bonde de fond et/ou du skimmer pour avoir plus d'aspiration sur la prise balai ou sur le skimmer (où l'appareil est connecté), selon le type de connexion de l'aspirateur.

ÉTAPE 4 : Ajustement du ou des refoulement(s)

Important : Le nettoyeur doit se déplacer de manière aléatoire dans la piscine. L'eau circulant à la surface influencera le mouvement du tuyau et limitera l'étendue à laquelle peut accéder le nettoyeur.

- Ajustez les rotules amovibles du/des refoulement(s) afin que le flux d'eau aille vers le bas.
- Afin d'ajuster les refoulements, desserrez l'anneau de fermeture et redirigez légèrement les rotules vers le bas.

Essayez également de les rediriger dans d'autres directions afin de savoir ce qui fonctionne le mieux dans votre piscine. Il faudra un peu de temps afin que l'eau s'adapte au nouveau modèle de circulation. (1)

ÉTAPE 5 : Assemblage des tuyaux

Reliez le nombre de sections de tuyaux nécessaires pour atteindre la source d'aspiration située au point le plus éloigné de la piscine. Ajoutez encore une ou deux sections si la source d'aspiration est située au centre de la piscine. (2)

ÉTAPE 6 : Connection à une prise balai

Important : Assurez-vous que l'orifice d'aspiration peut être fermé en amont par une vanne ; si ce n'est pas le cas, faites-en installer une par votre piscinier. (3 – Pentair ref GW9530)

- Si votre piscine n'est pas équipée d'une prise balai, consultez l'étape 7.

- Insérez la valve du régulateur ajustable (avec l'adaptateur) dans la prise balai. Utilisez le cône d'adaptation si nécessaire. (4)
- Remplissez le tuyau d'eau et reliez le bout du tuyau immergé à la prise balai. (5)

ÉTAPE 7 : Connection à un skimmer

- Si votre piscine n'est pas équipée d'une prise balai
- Remplissez le tuyau d'eau et reliez le bout du tuyau immergé au skimmer grâce à la valve du régulateur ajustable. (6)
- L'adaptateur du régulateur n'est pas utilisé pour cette installation.
- Utilisez le cône d'adaptation si nécessaire.

ÉTAPE 8 : Connexion à un skimmer – piscine équipée de deux départs de skimmers

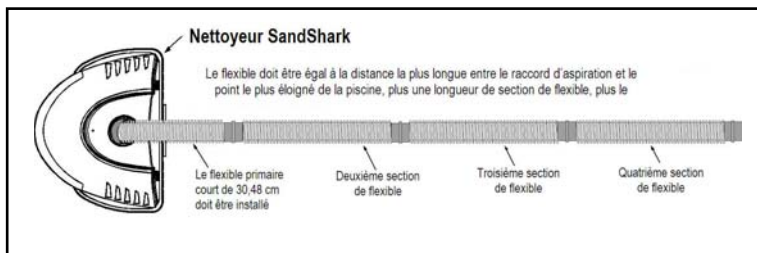
- Si votre piscine est équipée de deux skimmers, choisissez-en un pour le nettoyeur et fermez l'autre grâce à la vanne qui le pilote.
- Reliez le bout du tuyau immergé au skimmer sélectionné comme expliqué à l'étape 7.

ÉTAPE 9 : Ajustement du flux – flux recommander min. 10m³/h

- Insérez le débitmètre dans la dernière section du tuyau immergé et maintenez-le sous l'eau. (7)
- Pendant que la pompe est en fonctionnement, tournez la molette de réglage de la valve du régulateur vers le débit « rapide » ou « lent » jusqu'à ce que l'indicateur du débitmètre affiche un flux situé entre le « Maximum » et le « Minimum ». (8)
- **Remarque :** Si votre pompe est très puissante et que le flux dépasse toujours le « Maximum », vous devrez peut-être ouvrir légèrement la vanne du deuxième skimmer ou de la bonde de fond.
- Éteignez la pompe. Retirez le débitmètre et reliez le nettoyeur au bout du tuyau immergé. Ensuite, rallumez la pompe.
- **Remarque :** Le débitmètre est calibré pour être utilisé avec le régulateur d'aspiration en forme de « Y ». Le débitmètre n'indiquera pas le débit correct du nettoyeur si vous n'utilisez pas le régulateur d'aspiration en forme de « Y ».
- Enlevez le débitmètre de l'extrémité du flexible (l'extrémité avec le flexible primaire) et fixez le flexible primaire au pivot du nettoyeur.

ÉTAPE 10 : Branchez le flexible au nettoyeur

- Branchez le flexible du nettoyeur au nettoyeur
- Remplissez le nettoyeur d'eau et laissez-le couler au fond
- Vérifiez les connexions des flexibles comme l'illustre ci-dessous



Après avoir terminé l'installation, mettez la pompe en marche et laissez-la tourner pendant quelques minutes pour vous assurer que tout l'air sort bien du circuit.

REMARQUE : Tous les systèmes hydrauliques et raccords d'aspiration de piscine sont différents. Assurez-vous que vous avez installé le régulateur d'aspiration avant d'ajuster finement le système. Cela ne régule pas seulement l'aspiration, mais agit aussi comme dispositif de sécurité.

ÉTAPE 11 : Réglage des flexibles

Longueur de flexible

IMPORTANT : La pompe doit être activée lorsque vous vérifiez la longueur du flexible. Le flexible se contracte lorsque la pompe fonctionne et est plus long lorsque la pompe est arrêtée.

Lorsque le SandShark™ fonctionne, positionnez-le au point le plus éloigné de la piscine d'où il est attaché. (Il est facile de positionner le SandShark™ dans la piscine en le déplaçant avec le manche et le balai de piscine.) Le flexible du SandShark doit être suffisamment long pour atteindre le bout de la piscine, plus une section de flexible, plus le flexible primaire court. Si nécessaire, enlevez les sections de flexible supplémentaires de la partie centrale du flexible. L'enlèvement des sections centrales de flexible évite de devoir bouger le placement du poids de flexible. Gardez des sections de flexible supplémentaires au cas où il faudrait en remplacer.

REMARQUE : Éteignez la pompe lors de l'ajout ou de l'enlèvement de sections de flexible.

Équilibrage de flexible

Il peut être nécessaire, ou non, d'ajouter du poids à votre flexible en fonction de la taille, de la forme et de la profondeur de votre piscine. Essayez d'abord le nettoyeur sans aucun poids de flexible. Si le flexible flotte trop, ajoutez du poids comme le montre la Figure 9

Pour déterminer l'équilibre correct du flexible, arrêtez la pompe et observez le SandShark™. L'équilibre du flexible est correct lorsque le SandShark repose à plat au fond de la piscine. Le SandShark™ atteint la meilleure couverture de nettoyage lorsque le flexible n'est ni tiré vers le bas par le poids, ni n'attire le nettoyeur vers le haut. Ajustez les poids de flexible de 2,54 centimètres à la fois jusqu'à ce que l'équilibre de flexible correct soit obtenu. Dans les piscines avec des zones peu profondes et profondes, ajustez d'abord les poids de flexible dans la zone de profondeur, puis dans la zone peu profonde.

Trop de débit d'aspiration?

Vous avez une trop grande aspiration si le nettoyeur grimpe à la paroi de la piscine au-dessus de la ligne d'eau et commence à aspirer de l'air au point que la pompe perd son amorce. Une perte fréquente d'amorce risque d'endommager la pompe. Pour remédier à ce problème, ajustez le régulateur en tournant la molette de réglage dans le sens contraire des aiguilles d'une montre. Cette opération diminuera l'aspiration. Si le nettoyeur continue à grimper et à aspirer de l'air, ouvrez légèrement le collecteur principal.

Pas assez de débit d'aspiration?

Vous n'avez pas assez d'aspiration si le nettoyeur ne monte pas aux parois de la piscine, se déplace maladroitement ou ne bouge pas du tout. Vérifiez que le système de filtration est propre et que le régulateur et toutes les vannes sont ajustés pour vous donner une aspiration maximale. Si le nettoyeur ne bouge toujours pas, votre pompe peut ne pas être assez forte pour actionner le nettoyeur. Reportez-vous à la « *Section dépannage* »

Pièges à feuilles en ligne

Si beaucoup de feuilles tombent dans votre piscine, nous vous conseillons d'acheter et d'installer un piège à feuilles en ligne (réf. H-RA-211084). Ce piège à feuilles offrira une capacité de charge de débris accrue et permettra une dérivation de l'eau lorsque le piège sera plein. Il est important que la pompe soit suffisamment alimentée en eau ! (Image 10)

ENTRETIEN

Votre nettoyeur nécessite peut d'entretien. Effectuez de temps à autre les vérifications suivantes :

- Inspectez si l'oscillateur se déplace librement et n'est pas obstrué par des débris.
- Inspectez si la ventouse d'aspiration n'est pas excessivement usée. Lorsque les ventouses de traction au bas sont usées, il faut les remplacer.
- Contrôlez la valve du régulateur et éliminez tous les débris qui s'y trouveraient. (9)
- Nettoyez votre filtre grâce à un contre-lavage.
- Videz le panier du skimmer et le pré-filtre de la pompe.
- Utilisez le débitmètre afin que le flux d'eau convienne à votre nettoyeur. (8)
- Pour de meilleurs résultats et pour un bon déroulement de l'opération, n'utilisez que les tuyaux d'origine.
- **Remarque :** Enlever le nettoyeur de la piscine avant d'effectuer le traitement chimique choc ! Attendez au moins quatre heures après la procédure chimique pour réinstaller le nettoyeur.
- Votre nettoyeur peut rester dans la piscine. Néanmoins, lorsque des personnes se baignent, déconnectez le nettoyeur et placez-le sur l'un des côtés de la piscine.
- Lorsque vous rangez le nettoyeur (pour l'hiver, par exemple), n'enroulez pas les tuyaux. Placez les tuyaux à plat dans un endroit à l'abri des rayons du soleil. Il est également important d'enlever la jupe du nettoyeur et de la disposer à plat.
- Si le nettoyeur se bloque à cause de gros débris (feuilles, branches, etc.), enlevez les débris du fond de l'appareil.

Démontage

1. À l'aide d'un tournevis, faites repasser la ventouse d'aspiration en caoutchouc par-dessus la lèvre du boîtier extérieur (voir Figure 11).
2. Levez directement le boîtier extérieur du châssis (voir Figure 12).
3. Pressez et tirez les attaches des roues dentées pour retirer l'ensemble d'arbre de transmission et la roue dentée centrale (voir Figure 13).
4. Tirez l'oscillateur du bas du boîtier extérieur. Veillez à ne pas perdre les joints coulissants (voir Figure 14).
5. Pressez les pattes de verrouillage et tirez sur le boîtier de pivot et le pivot. L'ensemble va se détacher, libérant la roue dentée de pivot. Pressez les pattes de verrouillage pour dégager le clip d'embrayage (voir Figure 15).
6. Retirez le bouchon d'arbre avec l'arbre en inox et le grand ensemble de mécanisme de direction (voir Figure 16).
7. Déposez le manchon d'oscillateur, en dégageant la douille de manchon d'oscillateur et l'ensemble d'embrayage (voir Figure 17).
8. Si vous devez remplacer le butoir, retournez l'ensemble boîtier/butoir et enlevez les deux attaches flexibles maintenant l'amortisseur sur le boîtier (voir Figures 18 & 19). Utilisez un morceau de PVC de 1,27 centimètres (diamètre intérieur) pour le glisser sur les extrémités d'attaches flexibles afin de les resserrer pour qu'elles puissent sortir du boîtier. Utilisez une pince pour expulser les attaches flexibles du butoir.

Remontage

Pour remonter le SandShark™, inversez les étapes ci-dessus.

REMARQUE : L'encoche sur le disque central du grand ensemble de direction doit être vers le bas (comme le montre la Figure 20) pour le remontage.

Avis général d'exclusion de garantie

AVERTISSEMENT IMPORTANT DESTINÉ AUX PROPRIÉTAIRES DE PISCINES AVEC REVÊTEMENT EN VYNILE : Les revêtements en vinyle sont sujets à la détérioration ou à des dommages dus à leur ancienneté, sous l'effet des produits chimiques, des rayons du soleil, à la corrosion, ou à un défaut dans les murs porteurs - ainsi qu'une mauvaise installation, un mauvais entretien ou nettoyage des murs porteurs et de la base.

Avant d'installer le nettoyeur de piscines, examinez l'intérieur de votre piscine attentivement. Si votre revêtement en vinyle est cassant ou présente des aspérités ou des plis dues à des pierres ou des racines ou encore si le bas du revêtement est en contact avec de la rouille ou si le fond de la piscine ou les murs porteurs sont endommagés, alors n'installez pas le nettoyeur de piscine avant qu'un spécialiste n'ait effectué les réparations nécessaires.

AVERTISSEMENT POUR LES PROPRIÉTAIRES DE PISCINE EN BÉTON PROJETÉ (GUNITÉ) : Avant d'installer le nettoyeur de piscine dans une piscine en béton projeté ou dans une piscine qui est partiellement ou complètement carrelée, contrôlez attentivement que carrelages ou les joints ne se déchaussent pas. N'installez pas le nettoyeur de piscine avant qu'un spécialiste n'ait effectué les réparations nécessaires.

Le fabricant décline toute responsabilité quant au remplacement ou aux réparations des structures ou composantes de la piscine du client.

GARANTIE LIMITÉE DE 2 ANS

Détails supplémentaires : www.pentairpooleurope.com

DIAGNOSTIC DE PANNES

PROBLÈME	REMÈDE
<p>Si le SandShark™ se déplace lentement ou ne grimpe pas aux parois de la piscine :</p> <p>Filtre encrassé Panier encrassé dans le préfiltre de la pompe Débris bloquant le fond du nettoyeur Fuites dans le flexible Débris dans le régulateur Faible débit d'eau à travers le nettoyeur</p>	<p>Nettoyez le filtre. Nettoyez le panier. Enlevez les débris. Retirez la partie qui fuit. Nettoyez le régulateur. Fermez le collecteur principal.</p>
<p>Si le SandShark™ ne bouge pas ou avance par impulsions ou ne grimpe pas correctement à la paroi de la piscine :</p>	<p>Assurez-vous que le collecteur principal et toutes les autres conduites d'aspiration sont fermés, à l'exception de la conduite d'aspiration à laquelle le SandShark™ est fixé. Vérifiez qu'il y a un débit suffisant dans le flexible du nettoyeur. Vérifiez s'il n'y a pas de débris dans le filtre ou le panier du préfiltre de pompe. Vérifiez s'il n'y a pas de débris dans l'oscillateur du SandShark. Les débris peuvent empêcher le mouvement de l'oscillateur ou restreindre le débit à travers le nettoyeur. Vérifiez si l'oscillateur présente : des dégâts ; des joints manquants (il doit y en avoir 4) : des joints bloqués (les joints doivent coulisser librement sur l'oscillateur). Veillez à ce que le flexible primaire court soit la première section de l'ensemble de flexible (à côté du nettoyeur).</p>
<p>Si le SandShark™ remonte la paroi de la piscine jusqu'à la surface de l'eau et aspire de l'air :</p>	<p>Réduisez le débit de l'eau dans le nettoyeur, voir Ajuster le débit (Etape 9 ci-dessus)</p>
<p>Si le SandShark™ adopte toujours le même tracé:</p>	<p>Vérifiez le débit d'eau de la conduite de retour de la piscine et réorientez-le si nécessaire avec une rotule de refoulement de conduite de retour (voir ci-dessus « Pour installer la rotule de refoulement »). Ajustez la rotule des refoulements (Etape 4) de manière à guider le nettoyeur de l'autre côté de la piscine Vérifiez le flexible du SandShark pour vous assurer qu'il n'est ni plié ni écrasé. N'enroulez pas le flexible car il gardera la forme enroulée et réduira la portée de nettoyage. Pour vérifier le flexible, posez chaque section de flexible à plat sur la margelle de la piscine (ou une autre surface plane) et inspectez-le. Il doit être parfaitement plat et droit. Remplacez les sections qui sont courbées ou pliées. Vérifiez si l'oscillateur présente : des dégâts ; des joints manquants (il doit y en avoir 4) : des joints bloqués (les joints doivent coulisser librement sur l'oscillateur). Veillez à ce que le flexible primaire court soit la première section de l'ensemble de flexible (à côté du nettoyeur).</p>

ESPAÑOL

INFORMACIÓN DE SEGURIDAD

Le rogamos que lea lo siguiente antes d'instalar el nuevo limpiafondos automático para piscinas!

- La succión es peligrosa ya que puede ocasionar lesiones y ahogamiento. No juegue con el limpiafondos ni con la manguera, ni los aplique directamente sobre el cuerpo. No permita que los niños utilicen ni jueguen con el limpiafondos de piscinas. Antes de limpiar l'unidad, apague la bomba.
- No permita que haya nadadores en la piscina mientras el limpiafondos esté en funcionamiento.
- Existe peligro de atrapamiento, lesión y ahogamiento debido a la succión. Si su piscina posee un puertode succión dedicado (puerto de vacío) para el aspirado o para un limpiafondos automático, deberá cubrirlo cuando no se use. Si el puerto de succión dedicado no tiene una cubierta cargada por muelle (accesorio de cierre por vacío), compre uno en su tienda local de piscinas e instálo antes de conectar el limpiapiscinas al puerto de succión dedicado.
- Si su piscina está expuesta a grandes cantidades de hojas, le sugerimos que compre o instale un colector de hojas en línea. Un colector de hojas le proporcionará mayor capacidad de carga de suciedad, además de constituir un desvío para el agua cuando la cesta esté llena. ¡Es muy importante que la bomba reciba un flujo de agua suficiente!

ANTES DE L'INSTALACIÓN

AVISO IMPORTANTE PARA PROPIETARIOS DE PISCINAS CON REVESTIMIENTO DE VINILO :

Antes de instalar el limpiapiscinas, examine el interior de su piscina detenidamente. Si el revestimiento de vinilo está muy desgastado o presenta piedras, arrugas o corrosión metálica en contacto con el fondo del revestimiento o posee daños en la base o en las paredes de apoyo, no instale el limpiapiscinas hasta que un profesional cualificado haya efectuado las reparaciones necesarias.

AVISO IMPORTANTE PARA PROPIETARIOS DE PISCINAS DE GUNITA : Antes de instalar el limpiador de piscinas en una piscina gunitada o parcialmente alicatada, compruebe que no haya teselas o apliques de iluminación sueltos. No instale la depuradora de piscinas antes de que un profesional cualificado haya realizado las reparaciones oportunas.

Antes de instalar el limpiador, limpie el sistema de filtros de su instalación:

Asegúrese que se ha limpiado bien el filtro, incluyendo inversión de limpieza (backwash), aclarado, y vaciado todos los coladores. El sistema debe estar limpio, para que funcione adecuadamente el limpiador y su cobertura.

Antes de instalar el limpiador, rellene la manguera con agua:

Antes de conectar la manguera al sistema de filtración, compruebe siempre que el cabezal del limpiador esté sumergido y la manguera llena de agua (sea mediante un desespumador o con una conexión de pared dedicada). La presencia de aire en el sistema puede dañar la bomba al funcionar en seco y por sobrecalentamiento.

Antes de instalar el limpiador, comprenda bien su cobertura:

El limpiador está diseñado para eliminar los residuos de su piscina en aproximadamente 4-6 horas. Podría precisar menos tiempo, según el tamaño de la piscina. El limpiador no está diseñado para limpiar automáticamente escalones ni rampas de acceso, ni tampoco para funcionar debajo de una protección solar. Tampoco está diseñado para realizar la limpieza inicial de una piscina nueva, ni cuando se abre la piscina al iniciar la temporada.

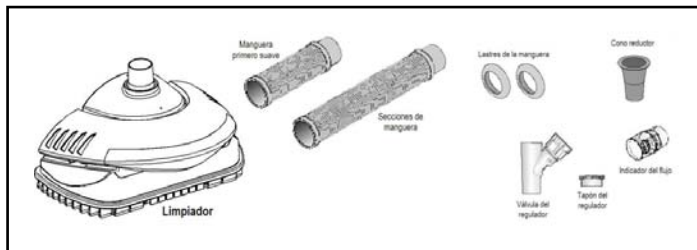
DESPUÉS de instalar el limpiador, asegúrese que el limpiador funciona correctamente:

El limpiador puede precisar algunos pequeños ajustes para garantizar que funcione adecuadamente, de manera que no dañe el acabado de la piscina. Ciertos recubrimientos de vinilo son especialmente propensos al desgaste de la superficie, del dibujo, de la tinta, o a los arañazos graves en su estructura, causados por los objetos en contacto con la superficie del vinilo; esto incluye los limpiadores automáticos de piscina. Pentair Water Pool and Spa, Inc. no se responsabiliza de ningún daño, abrasión o marcas, causadas en la superficie de los recubrimientos de vinilo.

INSTALACIÓN

PASO 1: Desembalaje y comprobación de las piezas

- ✓ Limpiador
- ✓ Manguera primero suave (1pc - 0.37m)
- ✓ Secciones de manguera (10pcs – 1m)
- ✓ Lastres de la manguera (2pcs)
- ✓ Cono redactor
- ✓ Válvula del regulador
- ✓ Tapón del regulador
- ✓ Indicador del flujo



PASO 2: Preparación de la piscina

- aspire manualmente la piscina y asegúrese de eliminar todos los residuos de gran tamaño.
- Aplique el choque químico y estabilice el agua de la piscina.
- Limpie el sistema de filtros.
- Vacíe la cesta del succionador
- Vacíe la cesta de la alcachofa de la bomba

PASO 3: Cierre del drenaje principal

- Cierre el drenaje principal de la válvula de la bomba para proporcionar una succión suficiente al limpiador

PASO 4: Ajuste de la línea de retorno

Importante: El limpiador deberá moverse de forma aleatoria por la piscina. El agua que circule por la superficie influirá en la manguera, limitando así la cobertura del limpiador.

- Ajuste las bocas con orificio para que el flujo de agua apunte hacia abajo
- Para ajustar las bocas de desvío, afloje el anillo de cierre y diríjalas ligeramente hacia abajo. Pruebe además direcciones diferentes para ver cuál funciona mejor en su piscina. Deje algún tiempo para que el cuerpo del agua se adapte a la forma nueva. (1)

PASO 5: Montaje de la manguera

- Conecte entre sí tantas secciones de la manguera como sean necesarias para unir la fuente de vacío con el punto más alejado de la piscina, sumando una o dos secciones más si la fuente de vacío se encuentra en el centro de su piscina. (2)

PASO 6: Conexión a un puerto de succión dedicado

¡Importante! Asegúrese de que el puerto de succión dedicado esté equipado de un accesorio de cierre por vacío de seguridad. De no ser así, obtenga uno en su tienda local e instálelo primero. (3 – Pentair ref GW9530)

- Si su piscina no tiene un puerto de succión dedicado, vaya al paso 7.
- Inserte la válvula del regulador ajustable (con tapón) en el succionador. Use el adaptador cónico si es necesario. (4)
- Llène de agua la manguera y conecte el extremo sumergido de ésta al accesorio de cierre por vacío de seguridad del puerto de succión dedicado (5)

PASO 7: Conexión a un succionador

- Si la piscina no tiene un puerto de succión dedicado, llene de agua la manguera y conecte el extremo de sumergido de ésta al succionador, junto con la válvula del regulador ajustable (6).
- En esta instalación, no se utiliza el tapón del regulador.
- Si es necesario, use el adaptador cónico.

PASO 8: Conexión a un succionador – piscina con conexión a dos succionadores

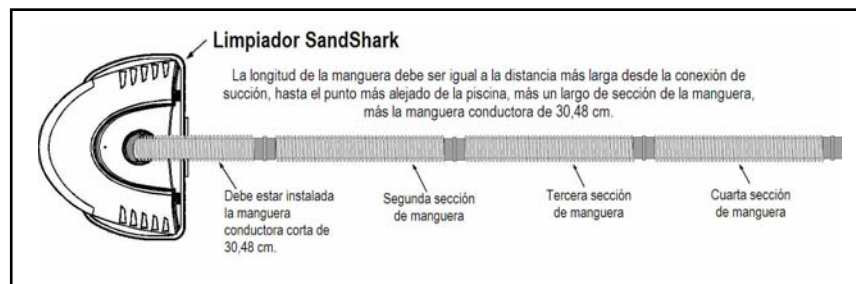
- Si la piscina tiene dos succionadores, seleccione un succionador para el limpiador y cierre el otro con la válvula de la bomba.
- Conecte el extremo de la manguera sumergido al succionador seleccionado del mismo modo que en el paso 7.

PASO 9: Ajuste del flujo – flujo recomendamos min. 10m³/h

- Inserte el medidor de flujo en el extremo de la última sección de la manguera sumergida (7)
- Con la bomba en funcionamiento, gire el mando de la válvula del regulador a “Faster” (más rápido) o “Slower” (más lento), hasta que el indicador de disco del medidor de flujo se quede entre flujo “Maximum” (máximo) y “Minimum” (mínimo). (8)
- **Nota:** Si tiene una bomba muy potente y el flujo sigue estando por encima del “máximo”, tal vez tenga que abrir el drenaje principal un poco.
- Apague la bomba. Retire el medidor de flujo y conecte el limpiador al extremo de la manguera sumergido. Después, active la bomba.
- **Nota:** El regulador de caudal está calibrado para usarlo con la válvula reguladora de vacío en “Y”. El regulador de caudal no indicará el caudal correcto del limpiador, si no se está utilizando la válvula reguladora de vacío en “Y”.
- Separe el regulador de caudal del extremo de la manguera (el extremo conectado a la manguera conductora) y una la manguera conductora al oscilador del limpiador.

PASO 10 : Conectar la manguera al limpiador

- Conecte la manguera conductora al limpiador
- Rellene el limpiador con agua y deje que se hunda hasta el fondo
- Compruebe las conexiones de la manguera, como se muestra en bajo



Después de completar la instalación, ponga en marcha la bomba de la piscina y deje que funcione un par de minutos, para asegurarse que todo el aire se expulse del sistema.

AVISO: Las conexiones del sistema hidráulico y de vacío de cada piscina, son diferentes. Compruebe que se haya instalado el regulador de vacío, antes de “optimizar” el sistema. Este no solo regula el vacío, también actúa como dispositivo de seguridad.

PASO 11 : Ajustes de manguera

Longitud de manguera

IMPORTANTE: La bomba debe estar funcionando cuando se comprueba la longitud de la manguera. La manguera se encoge cuando la bomba está funcionando, y se alarga cuando la bomba está parada.

Con SandShark™ funcionando, colóquelo en el punto más alejado de la piscina, desde donde está conectado. (Es fácil desplazar SandShark™ en la piscina, moviéndolo con la barra y el cepillo de la piscina.) La manguera de SandShark debe ser lo suficiente larga para llegar al final de la piscina, más una sección de manguera, más la manguera conductora corta. Si es necesario, elimine secciones adicionales de manguera de la parte central de la manguera. Extraer secciones centrales de la manguera evita interferir con la posición del lastre de la manguera. Guarde las secciones adicionales de manguera para utilizarlas como recambio si es necesario.

NOTA: Pare la bomba de la piscina cuando añada o extraiga secciones de la manguera.

Equilibrar la manguera

Puede ser necesario, o no, añadir lastre a la manguera, en función del tamaño, forma y profundidad de la piscina. Pruebe primero el limpiador sin ningún lastre en la manguera. Si la manguera flota demasiado, añada el lastre como se muestra en la Figura 9.

Para determinar el equilibrio correcto de la manguera, pare la bomba y observe la posición de SandShark™. La manguera está equilibrada correctamente cuando SandShark reposa plano sobre el fondo de la piscina. SandShark™ consigue la mejor cobertura de limpieza cuando la manguera no tira de la unidad hacia arriba, ni hacia abajo. Ajuste los lastres de la manguera en pasos de una pulgada hasta conseguir el equilibrio adecuado de la manguera. En las piscinas con áreas de profundidad diferentes ajuste primero el lastre de la manguera en el área más profunda, y después en el área menos profunda.

¿Demasiado caudal de vacío?

Hay exceso de vacío si el limpiador sube por la pared de la piscina, por encima de la línea de superficie del agua, entonces el limpiador succiona aire y la bomba pierde cebado. La pérdida de cebado frecuente, dañará la bomba. Para corregirlo, ajuste el regulador girando la tuerca de ajuste en sentido antihorario. Así disminuirá la succión. Si el limpiador continúa subiendo y succiona aire, abra ligeramente la válvula de desagüe principal.

¿Caudal de vacío insuficiente?

Falta vacío si el limpiador no sube por las paredes de la piscina, se desplaza muy lentamente o no se mueve. Asegúrese que el sistema de filtro esté limpio, y que el regulador y todas las válvulas estén ajustados para proporcionar el máximo vacío. Si el limpiador continúa sin moverse, significa que quizá la bomba no tenga la potencia suficiente para hacer funcionar el limpiador. Consulte la sección "Solucionar problemas".

Colector de hojas en línea

Si su piscina está expuesta a grandes cantidades de hojas, le sugerimos que compre o instale un colector de hojas en línea (Nº. de parte H-RA-211084). Un colector de hojas le proporcionará mayor capacidad de carga de residuos, además de constituir un desvío para el agua cuando la cesta esté llena. ¡Es muy importante que no falte agua a la bomba! (Cuadro 10)

MANTENIMIENTO

- Compruebe si el oscilador se desplaza libremente y no está obstruido por los residuos.
- Compruebe si la pletina de vacío no esté excesivamente desgastada. Cuando las pletinas de tracción inferiores se han desgastado, deben sustituirse.
- Compruebe la válvula del regulador y limpie con agua cualquier suciedad acumulada. (8)
- Limpie el sistema de filtros.
- Vacíe la cesta del succionador y la cesta de la alcachofa de la bomba.
- Use el medidor de flujo para asegurar un correcto flujo de agua en su limpiador. (7)
- Para conseguir óptimos resultados y mantener un correcto funcionamiento, use sólo mangueras originales.
- Nota: ¡Retire el limpiador de la piscina antes de aplicar el tratamiento de choque químico! Antes de reinstalar el limpiador, espere como mínimo cuatro horas después de finalizar el tratamiento químico.
- El limpiador puede permanecer en la piscina en todo momento. Si bien, cuando haya gente utilizando la piscina, deberá desconectarlo y apartarlo hacia un lado de la misma.
- Cuando guarde el limpiador o lo retire durante el invierno, no enrolle las mangueras. Colóquelas estiradas en una zona protegida de la luz solar directa. También es importante que retire la junta de vacío del limpiador y que la guarde colocándola en posición plana.
- Si el limpiador se atasca con residuos grandes (hojas, ramitas, etc.) limpie los residuos del fondo de la unidad.

Desmontaje

1. Con un destornillador, saque cuidadosamente la pletina de goma de vacío por encima del labio de la carcasa externa (vea la Figura 11).
2. Levante la carcasa externa separándola del chasis (vea la Figura 12).
3. Presione y extraiga las pinzas de la correa y engranaje, para soltar el grupo del eje tractor y correa y engranaje central (vea la Figura 13).
4. Extraiga el oscilador del fondo de la carcasa externa. Tenga cuidado para no perder las juntas deslizantes (vea la Figura 14).
5. Presione las pestañas de cierre y estire hacia arriba la carcasa oscilante y el oscilador. El conjunto se separará, liberando el engranaje del oscilador. Presione las pestañas de cierre para extraer la pinza de embrague (vea la Figura 15).
6. Extraiga el perno del eje, con el eje de acero inoxidable y el grupo grande de tracción (vea la Figura 16).
7. Extraiga la manga del oscilador, liberando el casquillo de la manga del oscilador y el grupo de embrague (vea la Figura 17).
8. Si es necesario sustituir el amortiguador, gire cabeza abajo el grupo carcasa/amortiguador y extraiga las dos pinzas flexibles que sujetan el amortiguador a la carcasa (vea las Figuras 18 y 19). Utilice un trozo de tubo de PVC de 1,27 cm (diámetro interior) para superponerlo a los extremos de las pinzas flexibles y comprimirlas hasta que se puedan deslizar al exterior de la carcasa. Utilice unos alicates para separar las pinzas flexibles del amortiguador.

Montar de nuevo

Para montar de nuevo SandShark™, invierta los pasos anteriores.

NOTA: Para el montaje, la hendidura en el disco central del grupo grande de tracción debe estar debajo (como se muestra en la Figura 20).

Cláusula de exención de responsabilidad

AVISO IMPORTANTE PARA PROPIETARIOS DE PISCINAS CON REVESTIMIENTO DE VINILO :

Los revestimientos de vinilo están sometidos al deterioro o a daños ocasionados por el paso del tiempo, al efecto de los productos químicos, la luz solar, la corrosión o el fallo de las paredes de apoyo: así como la instalación, mantenimiento o limpieza inadecuados de las paredes o la base de apoyo.

Antes de instalar el limpiafondos, examine el interior de su piscina detenidamente. Si el revestimiento de vinilo está gastado o presenta piedras, arrugas o corrosión metálica en contacto con el fondo del revestimiento o daños en la base o en las paredes de apoyo, no instale el limpiapiscinas hasta que un profesional cualificado haya efectuado las reparaciones necesarias.

AVISO IMPORTANTE PARA PROPIETARIOS DE PISCINAS DE GUNITA :

Antes de instalar el limpiafondos en una piscina de gunita o en una piscina total o parcialmente alicatada, compruebe detenidamente si hay baldosas o accesorios luminosos que estén sueltos. No instale el limpiapiscinas hasta que un profesional cualificado haya efectuado las reparaciones necesarias.

El fabricante renuncia a toda responsabilidad por reparaciones o sustituciones de cualquiera de estas estructuras o componentes de la piscina del cliente.

GARANTÍA LIMITADA DE 2 AÑOS

Para más información consulte: www.pentairpooleurope.com

RESOLUCIÓN DE PROBLEMAS

PROBLEMA	ACCIÓN CORRECTIVA
<p>Si SandShark™ se mueve muy lento o no sube por las paredes: Filtro sucio Colector sucio en el colador de pelo y suciedad Residuos que obstruyen el fondo del limpiador Fugas en la manguera Residuos dentro del regulador Poco caudal de agua en el limpiador</p>	<p>Limpie el filtro. Limpie el colector. Extraiga los residuos. Elimine la sección que tiene fugas. Limpie la válvula del regulador. Cierre el drenaje principal.</p>
<p>Si SandShark™ no se mueve, o pulsa lentamente, o no sube adecuadamente por las paredes de la piscina:</p>	<p>Asegúrese que el drenaje principal y todas las otras líneas de succión estén cerradas, excepto la línea de succión donde está conectado SandShark™. Compruebe que haya caudal suficiente en la manguera del limpiador. Compruebe si hay residuos en el filtro o en el colector de la bomba. Compruebe si hay residuos en el oscilador de SandShark. Los residuos pueden impedir el movimiento del oscilador, o restringir el caudal a través del limpiador. Comprueben en el oscilador si existen daños; si faltan juntas (debe tener 4 juntas), si hay juntas obstruidas (las juntas deben deslizarse libremente en el oscilador). Asegúrese que la sección de la manguera conductora flexible corta sea la primera sección en el grupo de manguera (junto al limpiador).</p>
<p>Si SandShark™ sube por la pared de la piscina, hasta la superficie del agua y succiona aire:</p>	<p>Reduzca el caudal de agua en el limpiador, vea “Ajustar caudal” (Paso 9)</p>
<p>Si SandShark™ se mueve de manera repetitiva:</p>	<p>Ajuste las bocas de desvío como sea necesario para orientar el limpiador hacia el otro lado de la piscina (Pase 4) Compruebe el caudal de la línea de retorno de la piscina, y rediríjalo como sea necesario con un dispersor circular en la línea de retorno (vea arriba “Instalar el dispersor circular”). Compruebe la manguera de SandShark, para asegurarse que no ha quedado doblada o retorcida. No enrolle la manguera, ya que tomará la forma espiral y disminuirá su cobertura de limpieza. Para comprobar la manguera, extienda cada sección de la manguera sobre una superficie plana, e inspeccione toda la longitud de la manguera. Debe ser perfectamente plana y recta. Sustituya cualquier sección que esté doblada o retorcida. Compruebe en el oscilador si existen daños; si faltan juntas (debe tener 4 juntas), si hay juntas obstruidas (las juntas deben deslizarse libremente en el oscilador). Asegúrese que la sección de la manguera conductora flexible corta sea la primera sección en el grupo de manguera (junto al limpiador).</p>

ITALIANO

NORME DI SICUREZZA

AVVERTENZE – Vi preghiamo di leggere quanto segue prima di installare il vostro nuovo dispositivo automatico di pulizia della piscina!

- Un'aspirazione effettuata in modo rischioso può causare lesioni o annegamento. Non giocate con il dispositivo di pulizia, o con il tubo flessibile e non metteteli a contatto con il corpo. Non consentite a bambini di utilizzare o giocare con il dispositivo di pulizia. Spegnete la pompa prima di cercare di pulire l'apparecchio.
- Non consentite a nessuno di fare il bagno nella piscina mentre il dispositivo di pulizia è in funzione.
- Vi è il pericolo di rimanere intrappolati dal sistema di aspirazione, di subire lesioni e di annegare. Se la vostra piscina ha un punto per l'aspirazione specifico (una bocchetta) usato per l'aspirazione o per il collegamento di un dispositivo automatico di pulizia, quando questo non viene utilizzato, deve essere chiuso. Se la vostra bocchetta di aspirazione dedicata non ha un coperchio a molla (adatto alla sua chiusura) acquistatene uno dal vostro rivenditore locale di piscine ed installatelo prima di collegare il dispositivo di pulizia alla bocchetta.
- Se la vostra piscina è esposta alla caduta di grandi quantità di foglie, vi suggeriamo di acquistare e di installare un accessorio da connettersi al tubo in grado di intrappolare le foglie. Un tale dispositivo fornirà una maggior capacità di pulizia e garantirà anche un percorso alternativo per l'acqua quando il cestello è pieno. E' molto importante che la pompa riceva un flusso di acqua sufficiente!

PRIMA DELL'INSTALLAZIONE

NOTE IMPORTANTI PER PROPRIETARI DI PISCINE CON RIVESTIMENTO IN VINILE : prima di installare il dispositivo di pulizia, esaminate con attenzione l'interno della vostra piscina. Se il rivestimento si screpola o a contatto con la parte inferiore del rivestimento si notano pietre, corrugamenti o del metallo corrosivo, o si notano dei danneggiamenti in corrispondenza della base o delle pareti di sostegno, non installate il dispositivo di pulizia prima che un tecnico qualificato abbia effettuato le necessarie riparazioni.

NOTE IMPORTANTI PER PROPRIETARI DI PISCINE REALIZZATE IN CEMENTO : Prima di installare il dispositivo per la pulizia della piscina in una piscina di guinite o in una piscina parzialmente piastrellata, controllare da vicino se vi sono piastrelle o lampade allentate. Non installare il dispositivo per la pulizia della piscina prima di aver fatto eseguire le necessarie riparazioni da un professionista.

Prima di installare il dispositivo di pulizia, pulire il sistema di filtraggio:

Assicurarsi di aver pulito il filtro, con controlavaggio, risciacquo e svuotamento di tutti i cestelli. Per il corretto funzionamento e raggio d'azione del dispositivo di pulizia è necessario disporre di un impianto pulito.

Prima di installare il dispositivo di pulizia, riempire d'acqua il tubo flessibile:

Assicurarsi sempre che la testina del dispositivo di pulizia sia sommersa e che il tubo flessibile sia pieno d'acqua prima di collegare il tubo flessibile al sistema di filtrazione (per mezzo di skimmer o apposito raccordo a muro). La presenza di aria nell'impianto può danneggiare la pompa a causa di funzionamento a secco e surriscaldamento.

Prima di installare il dispositivo di pulizia, informarsi sul raggio d'azione:

Il dispositivo di pulizia è studiato per l'eliminazione di detriti dalla vostra piscina in 4-6 ore circa. L'operazione potrebbe richiedere meno tempo, a seconda delle dimensioni della piscina. Il dispositivo di pulizia non è stato progettato per la pulizia automatica di gradini o scalette né per il funzionamento

sotto copertura solare. Il dispositivo di pulizia, inoltre, non è studiato per la pulizia iniziale di una piscina nuova o all'apertura stagionale della piscina.

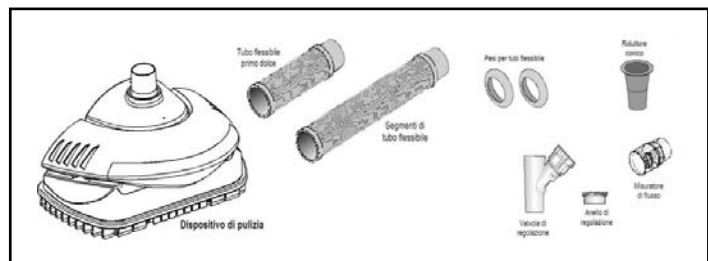
DOPO aver installato il dispositivo di pulizia, verificare il corretto funzionamento del dispositivo:

Potrebbe essere necessario mettere a punto il dispositivo di pulizia al fine di garantirne il corretto funzionamento senza danneggiare la finitura della piscina. Alcuni rivestimenti in vinile hanno dei disegni che sono particolarmente suscettibili a usura superficiale o a cancellazione del disegno, l'inchiostro del disegno può cancellarsi o possono venire seriamente danneggiati con graffiature causate dal contatto con vari oggetti sulla superficie in vinile, compresi i dispositivi automatici per la pulizia di piscine. Pentair Water Pool and Spa, Inc. non assume responsabilità per la cancellazione, abrasione o segnatura di rivestimenti in vinile.

INSTALLAZIONE

FASE 1 : Togliere dall'imballo e controllare i pezzi

- ✓ Dispositivo di pulizia
- ✓ Riduttore conico
- ✓ Valvola di regolazione
- ✓ Anello di regolazione
- ✓ Misuratore di flusso
- ✓ Pesi per tubi flessibile
- ✓ Tubo flessibile primo dolce (1pc – 0.37m)
- ✓ Segmenti di tubo flessibile (10pcs – 1m)



FASE 2 : Preparare la piscina

- Pulire manualmente la piscina con un aspiratore ed assicurarsi che tutti i detriti ingombranti siano stati rimossi.
- Compensare chimicamente e stabilizzare l'acqua della piscina.
- Pulire il sistema di filtraggio.
- Svuotare il cestello dello skimmer.
- Svuotare il cestello del prefiltra della pompa.

FASE 3 : Chiudere il collettore principale

- Chiudere il collettore principale con la valvola per creare l'aspirazione necessaria al dispositivo di pulizia.

FASE 4 : Mettere a punto il condotto di ritorno

Importante : il dispositivo di pulizia deve potersi muovere liberamente nella piscina. La circolazione di acqua in superficie si ripercuoterà sul tubo flessibile limitando così il raggio d'azione del dispositivo di pulizia.

- Sistemare le entrate delle bocchette semisferiche in modo che il flusso dell'acqua sia rivolto verso il basso
- Per regolare le bocchette, allentare l'anello di chiusura e riposizionarle con una lieve inclinazione verso il basso; si consiglia anche di provare ad indirizzarle con inclinazioni diverse per vedere quale posizione si adatta meglio alla propria piscina. Lasciare del tempo affinché la massa d'acqua si adatti alla nuova configurazione. (1)

FASE 5 : Installare i tubi flessibili

Collegare insieme un numero di segmenti di tubo necessario per andare dalla sorgente di aspirazione al punto più lontano della piscina, più uno o due segmenti ulteriori se la sorgente di aspirazione è posta al centro della piscine (2)

FASE 6 : Collegamento ad una bocchetta di aspirazione dedicate

Importante ! Assicurarsi che la propria bocchetta di aspirazione dedicata sia equipaggiato con un dispositivo di chiusura stagna di sicurezza. In caso contrario procurasene uno da un rivenditore locale di piscine e provvedere che venga installato prima di utilizzare il dispositivo di pulizia. (3 – Pentair ref. GW9530)

- Se la propria piscina non dovesse avere una bocchetta di aspirazione dedicata passare alla Fase 7.
- Inserire nello skimmer la valvola di regolazione (con l'anello). Utilizzare l'adattatore conico se necessario. (4)
- Riempire d'acqua il tubo flessibile e, sott'acqua, collegare l'estremità del tubo flessibile alla chiusura stagna di sicurezza adatta alla propria bocchetta di aspirazione dedicata. (5)

FASE 7 : Collegamento ad uno skimmer (se la propria piscina non ha una propria bocchetta di aspirazione dedicata).

- Riempire d'acqua il tubo flessibile e, all'interno dello skimmer, collegare l'estremità del tubo sommerso con la valvola di regolazione. (6)
- L'anello di regolazione non viene utilizzato in questo tipo di installazione
- Se necessario utilizzare l'adattatore conico
- Usare la protezione per i tubi flessibili per proteggere il tubo da possibili danni causati dallo sportello dello skimmer

FASE 8 : Collegamento ad uno skimmer – per piscine con due o più skimmer

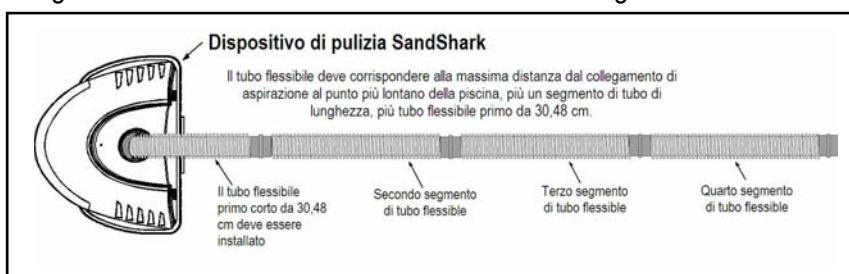
- Se la piscina ha due o più skimmer scegliere uno skimmer per il dispositivo di pulizia e chiudere gli altri con la valvola per creare l'aspirazione.
- Collegare l'estremità del tubo sommerso nello skimmer prescelto nello stesso modo descritto nella fase 7.

FASE 9 : Regolare il flusso – flusso consigliamo min. 10m³/h

- Inserire il misuratore di flusso al termine dell'ultimo tratto del tubo sommerso. (7)
- A pompa funzionante ruotare la manopola di regolazione della valvola di regolazione su "Accelera" o "Rallenta" fino a che il disco indicatore del flusso si posiziona tra il flusso "Massimo" e "Minimo", come indicato sul misuratore di flusso. (8)
- **Nota:** se si dispone di una pompa molto potente e il flusso è ancora al di sopra del "Massimo" può essere necessario aprire lievemente il collettore principale.
- Spegner la pompa. Rimuovere il misuratore di flusso e collegare il dispositivo di pulizia all'estremità del tubo flessibile sommerso. Poi riaccendere la pompa.
- **Nota:** Il misuratore di flusso è calibrato per l'uso con la valvola di non-aspirazione a "Y". Se non si utilizza la valvola di non-aspirazione a "Y" il misuratore di flusso non indica il flusso corretto per il dispositivo di pulizia.
- Rimuovere il misuratore di flusso dall'estremità del tubo flessibile (l'estremità con il tubo flessibile "primo" collegato) e collegare il tubo flessibile "primo" alla rotella del dispositivo di pulizia.

FASE 10 : Collegamento del tubo flessibile al dispositivo di pulizia

- Collegare il tubo flessibile primo al dispositivo di pulizia
- Riempire d'acqua il dispositivo di pulizia e immergerlo fino al fondo
- Verificare i collegamenti del tubo flessibile come indicato nella Figura al di sotto.



Dopo aver ultimato l'installazione, accendere la pompa della piscina e lasciarla funzionare per un paio di minuti affinché tutti i cicli d'aria fuoriescano dall'impianto.

NOTA: I sistemi idraulici e i collegamenti di aspirazione delle piscine possono variare. Assicurarsi di aver installato la valvola di non-aspirazione prima di procedere con la "regolazione di precisione" dell'impianto. La valvola non provvede solo a regolare l'aspirazione, ma agisce anche da dispositivo di sicurezza.

FASE 11 - Regolazione del tubo flessibile

Lunghezza del tubo

IMPORTANTE: Durante la verifica della lunghezza del tubo flessibile, la pompa deve essere accesa. Durante il funzionamento della pompa, il tubo flessibile si contrae ed è più lungo a pompa spenta.

A dispositivo di pulizia SandShark™ acceso, posizionarlo nel punto più lontano della piscina dalla sede di collegamento. (Il posizionamento di SandShark™ nella piscina è semplice grazie allo spostamento dell'apparecchio con l'ausilio di asta e spazzola per piscine). Il tubo del SandShark deve essere sufficientemente lungo da raggiungere la fine della piscina, più un segmento di tubo, più il tubo flessibile primo corto. Se necessario, rimuovere i segmenti di tubo flessibile extra dalla parte centrale del tubo. La rimozione dei segmenti di tubo flessibile centrale evita di ostacolare il posizionamento del peso per tubo flessibile. Conservare i segmenti di tubo flessibile in eccesso per possibile utilizzo all'occorrenza o come ricambio.

NOTA: Durante l'aggiunta o la rimozione dei segmenti di tubo flessibile spegnere la pompa della piscina.

Equilibratura del tubo flessibile

L'aggiunta del peso per tubi flessibili potrebbe essere o non essere necessaria, a seconda delle dimensioni, forma e profondità della vostra piscina. Provare il dispositivo di pulizia prima senza pesi per tubo flessibile. In caso di eccessivo galleggiamento del tubo, aggiungere il peso come illustrato nella Figura 9.

Per stabilire il corretto equilibrio del tubo flessibile, spegnere la pompa e osservare SandShark™. L'equilibrio del tubo flessibile è corretto quanto SandShark è in posizione piana sul fondo della piscina. SandShark™ raggiunge il massimo raggio d'azione di pulizia quando il tubo flessibile non è né troppo abbassato dal peso né troppo rialzato rispetto all'apparecchio. Regolare i pesi per tubo flessibile 2,54 cm per volta, a seconda della necessità, fino a raggiungere la giusta equilibratura del tubo flessibile. Nelle piscine dotate di zone basse e zone profonde, regolare i pesi per tubo flessibile prima nella zona profonda e poi nella zona bassa.

Flusso di aspirazione eccessivo?

L'eccessiva aspirazione si verifica quando il dispositivo di pulizia sale lungo le pareti della piscina sorpassando la linea dell'acqua al punto da aspirare aria e la pompa perde potenza. La perdita di potenza frequente danneggia la pompa. Per correggere il problema, settare la valvola di regolazione girando la manopola di regolazione in senso antiorario. Questa operazione ridurrà l'aspirazione. Se il dispositivo di pulizia continua a salire e ad aspirare aria, aprire leggermente la valvola di drenaggio principale.

Flusso di aspirazione insufficiente?

L'aspirazione insufficiente si verifica quando il dispositivo di pulizia non sale lungo le pareti della piscina, si muove lentamente, o non si muove affatto. Assicurarsi che il sistema di filtraggio sia pulito e che valvola di regolazione e tutte le valvole siano regolate per fornire la massima aspirazione. Se il dispositivo di pulizia continua a non muoversi, la vostra pompa potrebbe non essere sufficientemente potente da consentire il funzionamento del dispositivo di pulizia. Si rimanda alla "Sezione Ricerca Guasti".

Accessori da collegare al condotto in grado in intrappolare le foglie

Se la vostra piscina è esposta alla caduta di grandi quantità di foglie, vi suggeriamo di acquistare e di installare un accessorio da connettersi al tubo in grado in intrappolare le foglie (P/N H-RA211084). Un tale dispositivo fornirà una maggior capacità di pulizia e garantirà anche un percorso alternativo per l'acqua quando il cestello è pieno. E' molto importante che la pompa riceva un flusso di acqua sufficiente! (immagine 10)

MANUTENZIONE

Il vostro dispositivo di pulizia necessita pochissima manutenzione. Controllare di tanto in tanto quanto segue.

- Controllare se l'oscillatore si muove liberamente e non è ostruito da detriti
- Controllare se la piastra di aspirazione non sia eccessivamente usurata. Se le piastre di aspirazione sul fondo mostrano segni di usura, devono essere sostituite
- Controllare la valvola di regolazione ed asportare qualsiasi deposito di detriti. (8)
- Pulire il sistema di filtraggio.
- Svuotare la griglia dello skimmer e la griglia del filtro della pompa.
- Utilizzare il misuratore di flusso per assicurare al proprio apparecchio di pulizia un corretto flusso di acqua. (7)
- Per ottenere i risultati migliori ed un corretto funzionamento utilizzare solo tubi flessibili originali.
- Nota: togliere dalla piscina l'apparecchio di pulizia prima di intraprendere un trattamento chimico aggressivo!! Attendere almeno quattro ore dalla procedura chimica prima di reinstallare il dispositivo di pulizia.
- Il dispositivo di pulizia può stare sempre all'interno della piscina, comunque, quando dei bagnanti utilizzano la piscina, scollegare l'apparecchio di pulizia e porlo su un lato della piscina.
- Quando si ripone l'apparecchio di pulizia o lo si prepara per l'inverno, non arrotolare i tubi flessibili. Disporli in orizzontale in una zona protetta dalla luce solare diretta. E' importante anche togliere il dispositivo di chiusura stagna dall'apparecchio di pulizia e riporlo in orizzontale.
- Se il dispositivo di pulizia è ostruito da detriti (foglie, bastoncini, ecc.), rimuovere le impurità dal fondo dell'apparecchio.

Smontaggio

1. Con l'ausilio di un cacciavite, spingere attentamente verso il basso la ventosa di gomma verso il bordo dell'Alloggiamento Esterno, (vedere Figura 11).
2. Sollevare l'Alloggiamento Esterno verso l'alto estraendolo dal telaio, (vedere Figura 12).
3. Premere e tirare gli Anelli d'attacco della Ruota dentata al fine di sganciare il Gruppo dell'Albero Motore e il Pignone Centrale, (vedere Figura 13).
4. Rimuovere l'Oscillatore direttamente dal fondo dell'Alloggiamento Esterno. Prestare attenzione a non perdere le Guarnizioni di scorrimento, (vedere Figura 14).
5. Premere sulle alette d'arresto e tirare l'Alloggiamento della rotella e Rotella verso l'alto. Il gruppo verrà estratto, sganciando il Pignone della Rotella. Premere sulle alette d'arresto per rimuovere il Dispositivo di fissaggio della Frizione, (vedere Figura 15).
6. Rimuovere la Spina dell'Albero con l'asse in acciaio inox e il Blocco Comando di Azionamento Principale, (vedere Figura 16).
7. Rimuovere il Manicotto dell'Oscillatore, sganciando la Boccola del Manicotto dell'Oscillatore e il gruppo Frizione, (vedere Figura 17).
8. Se occorre sostituire il respingente, capovolgere il gruppo alloggiamento/respingente e rimuovere i due ganci flessibili che fissano il respingente all'alloggiamento, (vedere Figure 18 e 19). Utilizzare un pezzo di tubo in PVC da 1,27 cm (diametro interno) e infilarlo sulle estremità dei ganci flessibili al fine di spingerli contemporaneamente affinché possano scorrere fuori dall'alloggiamento.

Utilizzare le pinze per estrarre i ganci flessibili dal respingente.

Rimontaggio

Per rimontare SandShark™, ripetere le fasi sopra indicate nella sequenza inversa.

NOTA: La dentellatura del disco centrale del Blocco Comando di Azionamento Principale deve essere abbassata, (come illustrato nella Figura 20), per il montaggio.

Clausola di disconoscimento di responsabilità

AVVISO IMPORTANTE PER I PROPRIETARI DI PISCINE CON RIVESTIMENTO IN VINILE : I rivestimenti in vinile sono soggetti a deterioramento o a danno dovuti all'età, all'effetto degli agenti chimici, alla luce del sole, alla corrosione o alla mancanza di pareti di sostegno, come pure ad un'installazione, ad una manutenzione o ad una pulizia delle pareti portanti e della base scorrette. Prima di installare il dispositivo di pulizia della piscina, esaminare attentamente l'interno della propria piscina. Se il rivestimento in vinile si screpola o a contatto con la parte inferiore del rivestimento si notano pietre, corrugamenti, radici o del metallo corrosivo, o si notano dei danneggiamenti in corrispondenza della base o delle pareti di sostegno, non installare il dispositivo di pulizia prima che un tecnico qualificato abbia effettuato le necessarie riparazioni.

AVVISO IMPORTANTE PER I PROPRIETARI DI PISCINE CON RIVESTIMENTO IN CEMENTO : Prima di installare il dispositivo di pulizia in una piscina realizzata in cemento o in una piscina che sia parzialmente o completamente piastrellata, controllare attentamente che non ci siano piastrelle staccate o delle lampade con collegamenti allentati. Non installare il dispositivo di pulizia della piscina prima che un tecnico qualificato abbia effettuato le necessarie riparazioni.

La casa produttrice ricusa qualsiasi responsabilità per riparazioni o sostituzioni di qualsiasi di queste strutture o parti componenti la piscina del cliente.

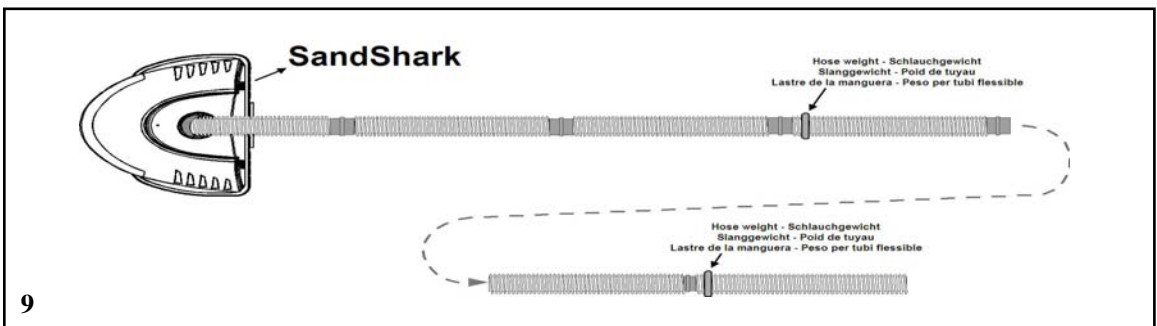
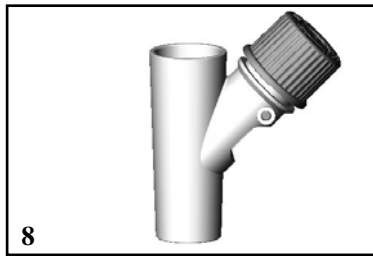
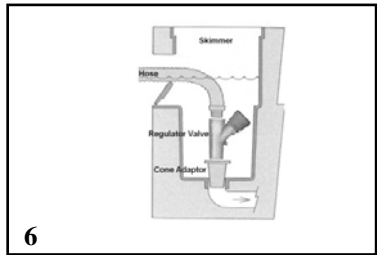
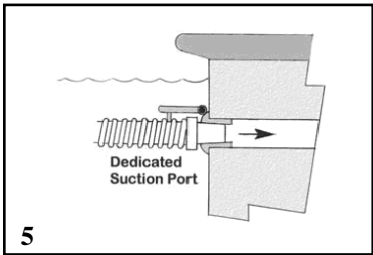
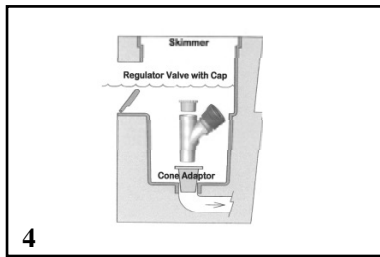
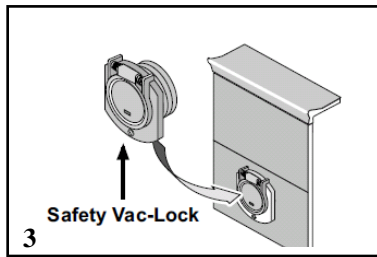
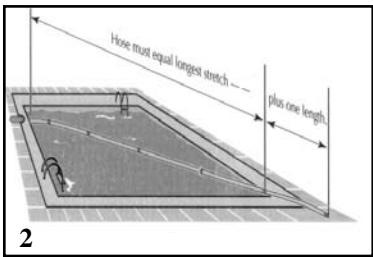
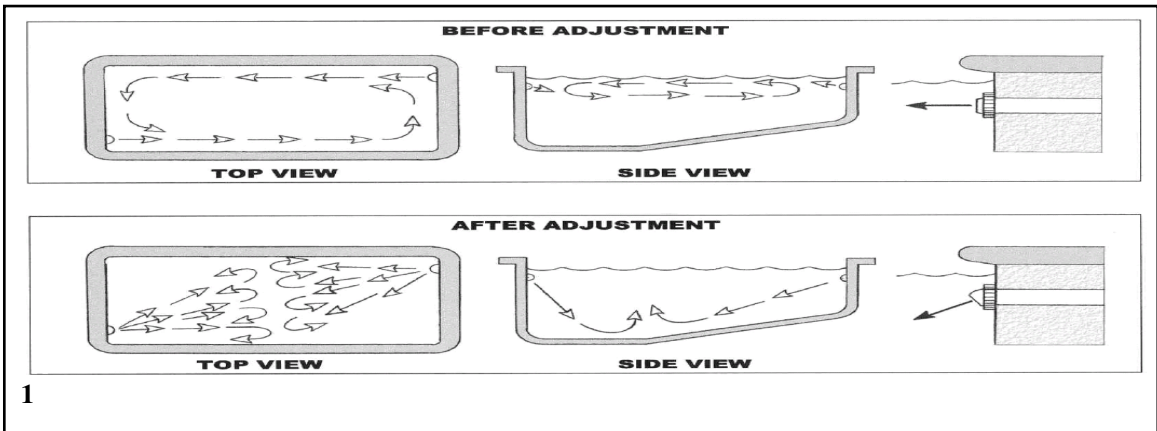
GARANZIA LIMITATA DI 2 ANNI

Ulteriori dettagli: www.pentairpooleurope.com

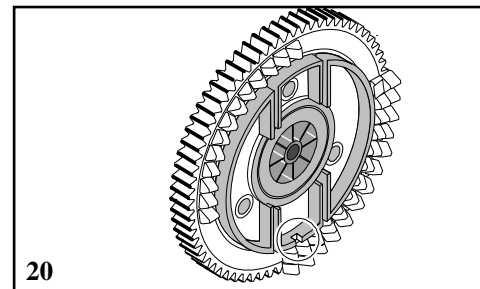
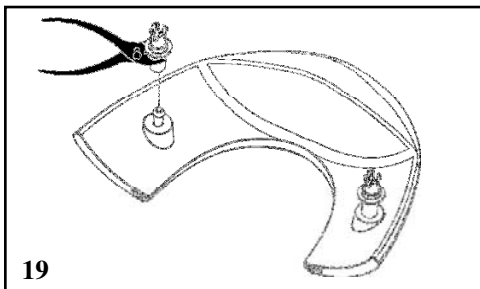
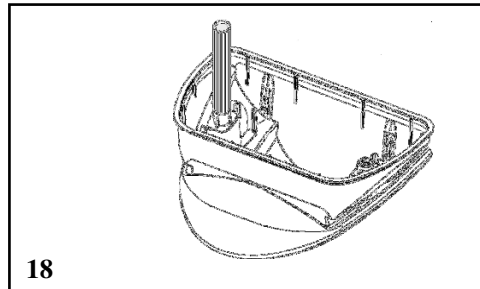
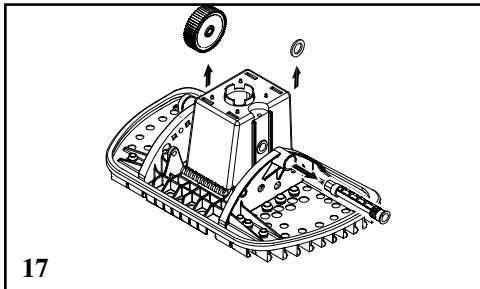
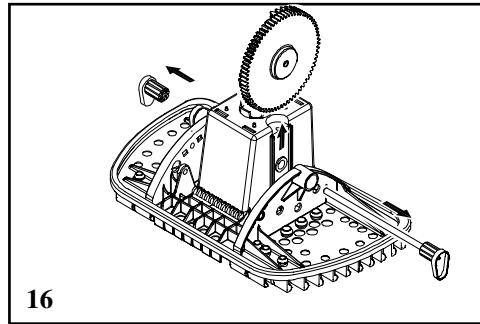
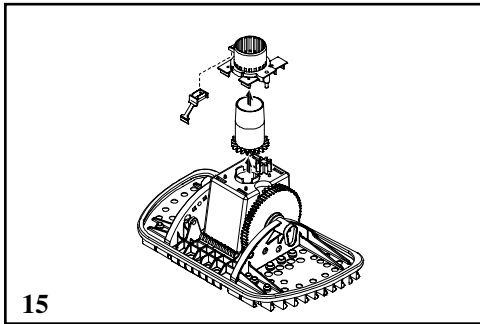
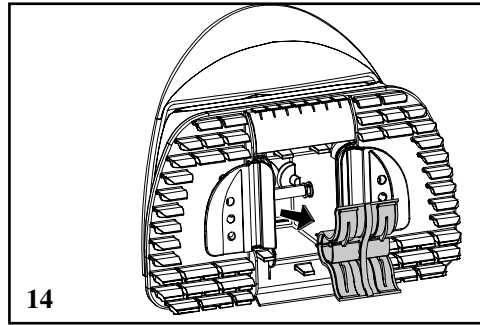
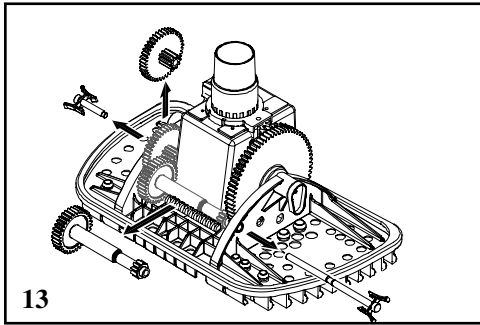
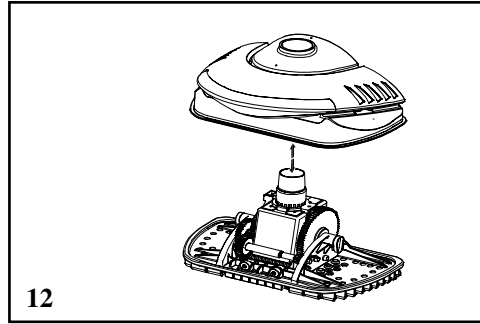
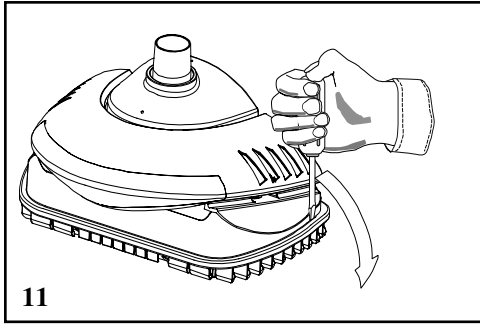
RICERCA GUASTI

PROBLEMA	AZIONE CORRETTIVA
<p>SandShark™ è lento o non si muove lungo le pareti: Filtro sporco Cestello sporco a livello del filtro per capelli e filaccia della pompa Detriti ostruiscono il fondo del dispositivo di pulizia Perdite a livello del tubo flessibile Detriti nella valvola di regolazione Flusso d'acqua basso al dispositivo di pulizia</p>	<p>Pulire il filtro.</p> <p>Pulire il cestello. Rimuovere i detriti. Rimuovere il segmento che perde. Pulire la valvola di regolazione. Chiudere il collettore principale.</p>
<p>SandShark™ non si muove, vibra lentamente o non si muove correttamente lungo le pareti:</p>	<p>Assicurarsi che il collettore principale e tutti gli altri condotti di aspirazione siano chiusi ad eccezione del condotto di aspirazione al quale SandShark™ è collegato.</p> <p>Verificare che vi sia flusso sufficiente nel tubo flessibile del dispositivo di pulizia.</p> <p>Verificare la presenza di eventuali detriti nel filtro o nel cestello del filtro della pompa.</p> <p>Verificare l'eventuale presenza di detriti nell'oscillatore del SandShark. I detriti possono ostacolare il movimento dell'oscillatore o limitare il flusso all'interno del dispositivo di pulizia.</p> <p>Verificare l'oscillatore per escludere: danni; perdita di guarnizioni (devono esserci 4 guarnizioni): intasamento dei dispositivi di chiusura stagna (i dispositivi di chiusura stagna devono scorrere liberamente sull'oscillatore).</p> <p>Assicurarsi che il segmento corto del tubo flessibile primo dolce sia il primo segmento dell'assemblaggio tubi (vicino al dispositivo di pulizia).</p>
<p>SandShark™ sale lungo le pareti della piscina fino a raggiungere la superficie dell'acqua e aspira aria:</p>	<p>Ridurre il flusso dell'acqua al dispositivo di pulizia, si veda la Regolazione del Flusso (Fase 9)</p>
<p>Se SandShark™ si muove con un percorso ripetitivo:</p>	<p>Verificare l'adeguatezza del flusso d'acqua del condotto di ritorno della piscina e orientarlo nuovamente se necessario per mezzo di un deviatore semisferico per il condotto di ritorno (si veda la sezione sopra "Installazione del deviatore semisferico").</p> <p>Verificare il tubo flessibile del SandShark per assicurarsi che non sia piegato o attorcigliato. Non avvolgere il tubo flessibile, in quanto manterrebbe la forma arrotolata riducendo il raggio d'azione di pulizia.</p> <p>Per controllare il tubo flessibile, posizionare ogni segmento del tubo in posizione piana sulla copertura della piscina (o su un'altra superficie piana) e osservare la lunghezza del tubo flessibile. Il tubo deve essere perfettamente piano e dritto. Sostituire eventuali segmenti piegati o attorcigliati.</p> <p>Verificare l'oscillatore per escludere: danni; perdita di guarnizioni (devono esserci 4 guarnizioni): intasamento dei dispositivi di chiusura stagna (i dispositivi di chiusura stagna devono scorrere liberamente sull'oscillatore).</p> <p>Assicurarsi che il segmento corto del tubo flessibile primo dolce sia il primo segmento dell'assemblaggio tubi (vicino al dispositivo di pulizia).</p>

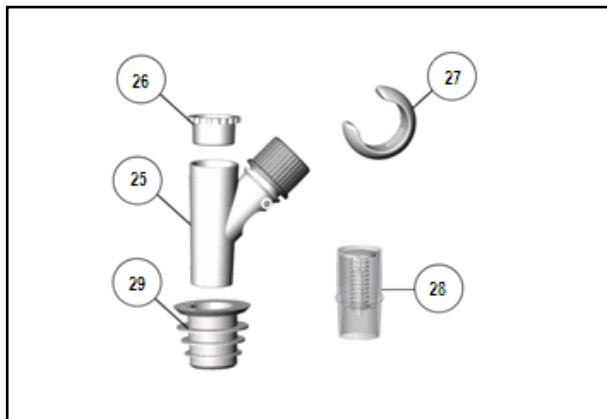
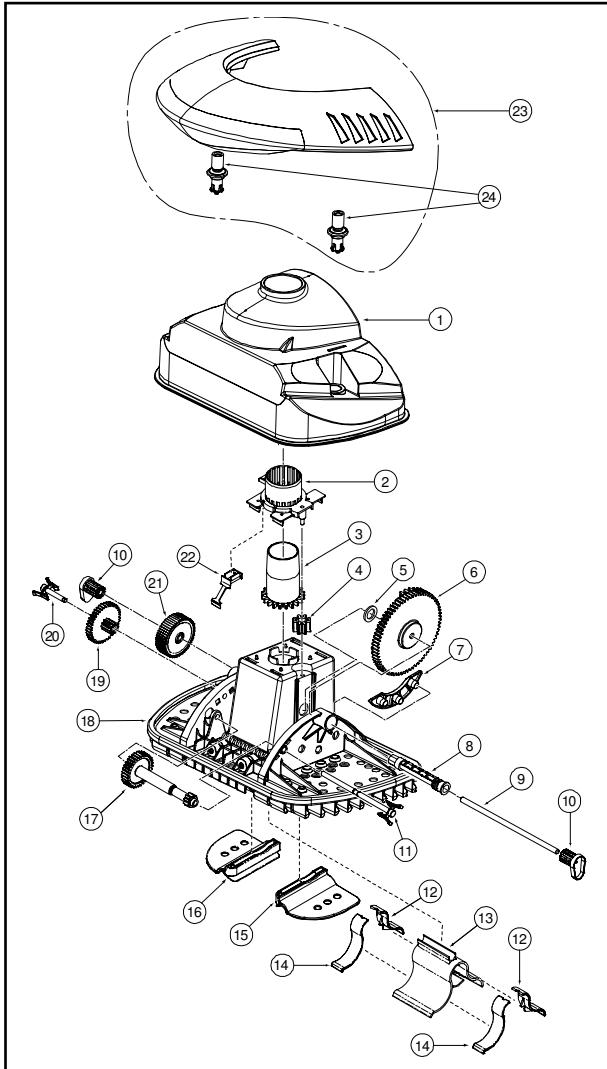
PICTURES



PICTURES



Replacement Parts – SandShark™ GW7900E



Partnumber	Item No.	Description	Qty
GW7910		Steering Kit	
Contains	2	Swivel Housing	1
	3	Swivel	1
	4	Swivel Sprocket	1
	22	Clutch Clip	1
GW7503		Clutch Kit	
Contains	5	Oscillator Sleeve Bushing	1
	8	Oscillator Sleeve	1
	21	Clutch Assembly	1
GW7504		Gear Kit	
Contains	6	Large Steering Drive Assembly	1
	10	Shaft Plug	2
	11	Long Sprocket Clip	1
	17	Drive Shaft Assembly	1
	19	Center Sprocket	1
	20	Short Sprocket Clip	1
GW7912		Oscillator Kit	
	12	Small Sliding Seal	2
	13	Oscillator	1
	14	Large Sliding Seal	2
GW7913		Seal Flap Kit	
	15	Right Seal Flap	1
	16	Left Seal Flap	1
GW7903	1	Outer Housing	
41201-0242W	18	Chassis with Pad	
GW7902	23	Bumper with Flex Snaps	
GW7904	24	Flex Snaps Kit	
G-SHARK-1015	25	Regulator Valve	1
G-K-1018	26	Regulator Cap	1
G-K-1053	27	Hose Weight	2
G-K-1027Y	28	Flow Gauge	1
G-K-1023	29	Reducer Cone	1
41201-0255		Short Leader Hose	1
41201-0254		Suction Hose (1m)	10

Parts Not available Separately			
	7	Supprt Brace	1
	9	Stainless Steel Axle	1



BY



SAVE THESE INSTRUCTIONS !

PENTAIR WATER BELGIUM BVBA – INDUSTRIEPARK WOLFSTEE
TOEKOMSTLAAN 30 – 2200 HERENTALS – BELGIUM
TEL: +32 (0)14 259911 – FAX: +32 (0)14 259925
poolemea@pentair.com – www.pentairpooleurope.com

Copyright - Limited License : Except as specifically permitted herein, no portion of the content on this document may be reproduced in any form or by any mean without the prior written permission of Pentair International SRL.

Copyright – Eingeschränkte Lizenz : Soweit hierin nicht ausdrücklich zugelassen, dürfen die Inhalte dieses Dokuments ohne vorausgehende schriftliche Genehmigung der Pentair International SRL weder ganz noch auszugsweise und in gleich welcher Form und mit welchen Mitteln vervielfältigt werden.

Copyright – Beperkte licentie : Behalve zoals hierin specifiek toegestaan, mag geen enkel deel van de inhoud van dit document op om het even welke manier of hoe dan ook gereproduceerd worden zonder de voorafgaande schriftelijke toestemming van Pentair International SRL.

Copyright – Licenza limitata :Sauf expressement autorise ci-apres, aucune partie du contenu de ce document ne peut etre reproduite sous toute forme ou par tout moyen sans la permission ecrite prealable de Pentair International SRL.

Copyright – Licencia limitada :Salvo en lo expresamente permitido en el presente documento, se prohíbe la reproducción total o parcial del mismo por cualquier medio sin la previa autorización por escrito de Pentair International SRL.

Copyright – Licenza limitata :Se non indicato specificatamente di seguito, nessuna porzione del contenuto di questo documento può essere riprodotta in qualsiasi forma o con qualsiasi mezzo senza preventiva autorizzazione scritta di Pentair International SRL.