

EN

PERAQUA[®]

pooled family pleasure

BEDIENUNGSANLEITUNG

OPERATING MANUAL

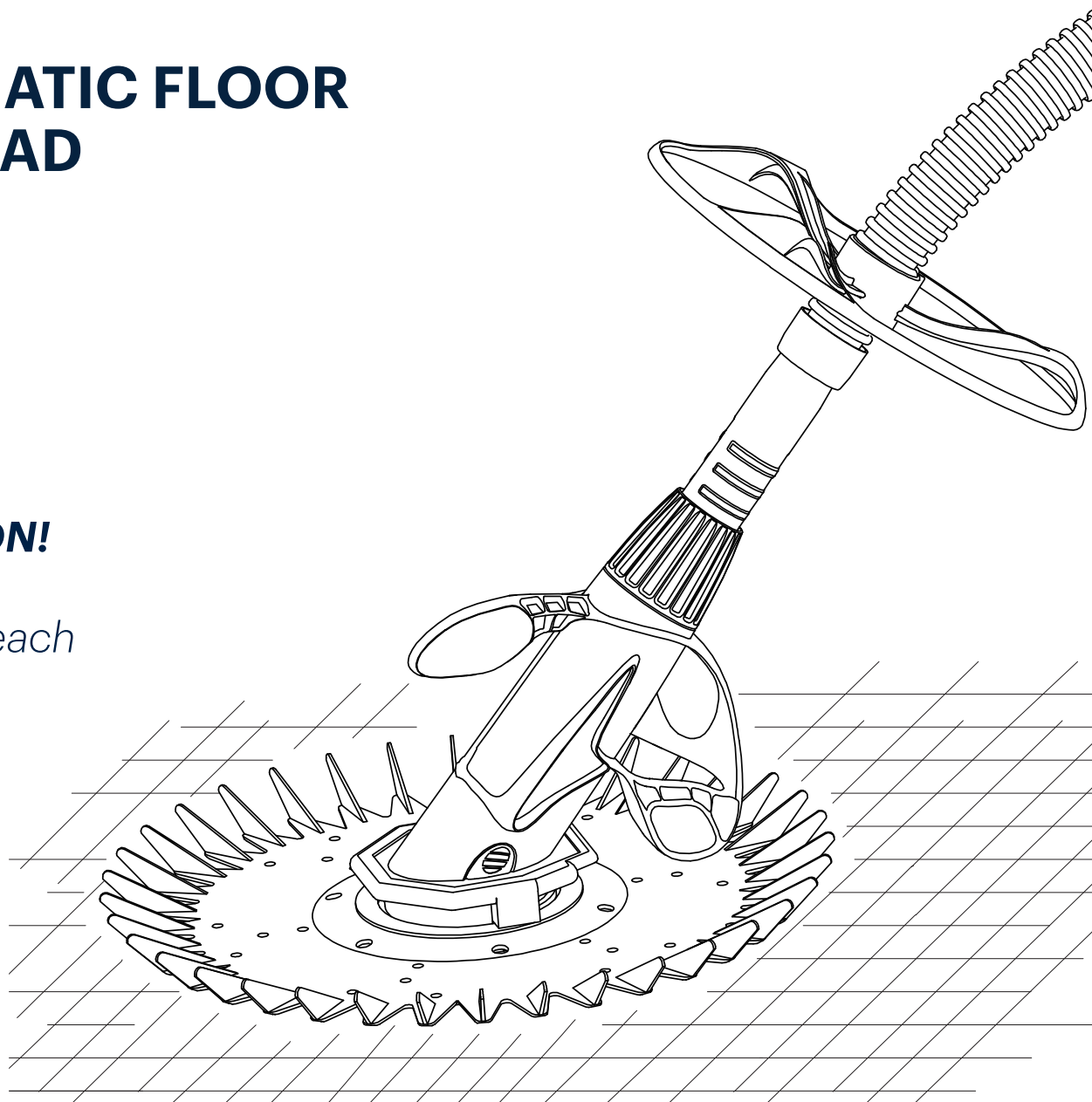


SMART

AUTOMATIC FLOOR VAC HEAD

ATTENTION!

*Keep away
from the reach
of children
and pets!*



Art. Nr. 78723

Parts

	1	2	3	4	5	6	7	8	9
ENG	Foot	Skirt	Body	Deflector wheel	Hose sections	Suction test gauge	Flow regulator	Universal adapter	Hose weight

Assembly

Explosion view

Body explosion view

- 301 — Clamp
- 302 — Diaphragm
- 303 — Ring
- 304 — Shell
- 305 — Inner pipe
- 306 — Bushing
- 307 — Slip washer
- 308 — Outer pipe
- 309 — "C"ring
- 310 — Nut

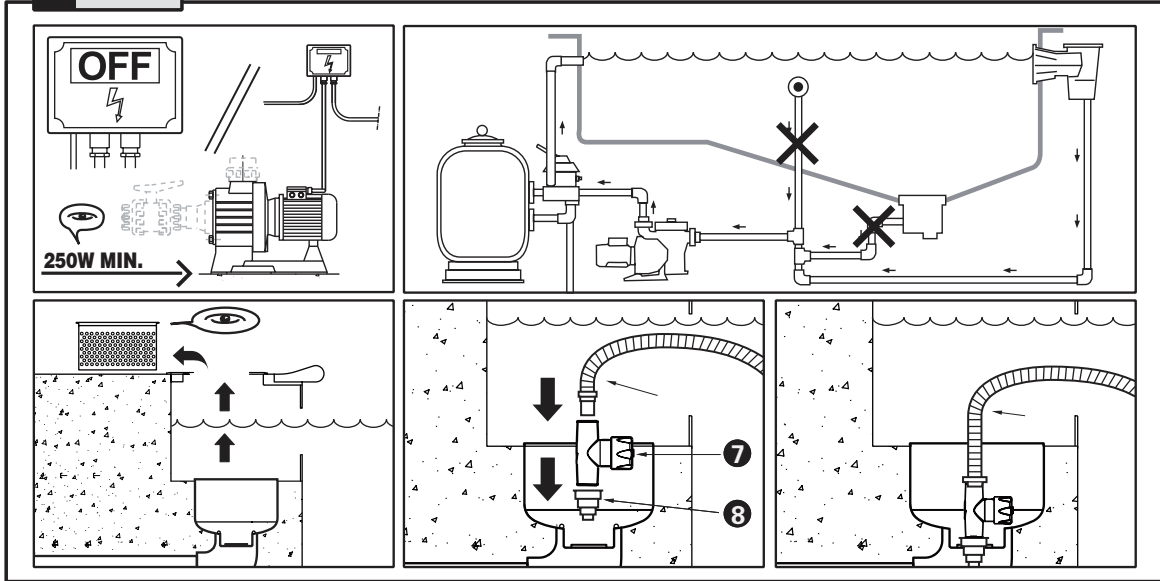
Replacing the diaphragm

Assembling the diaphragm

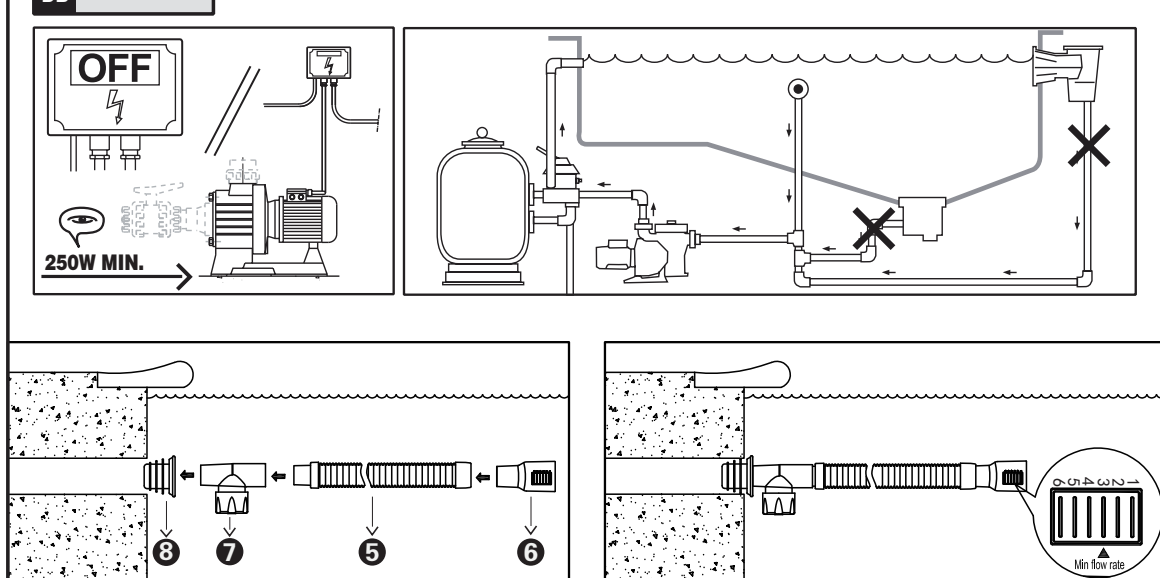
Important

Before connecting the cleaner to the filtration system, the product must be underwater to avoid air. The hoses must be full of water. Adjust the flow regulator to achieve the cleaner's best performance.

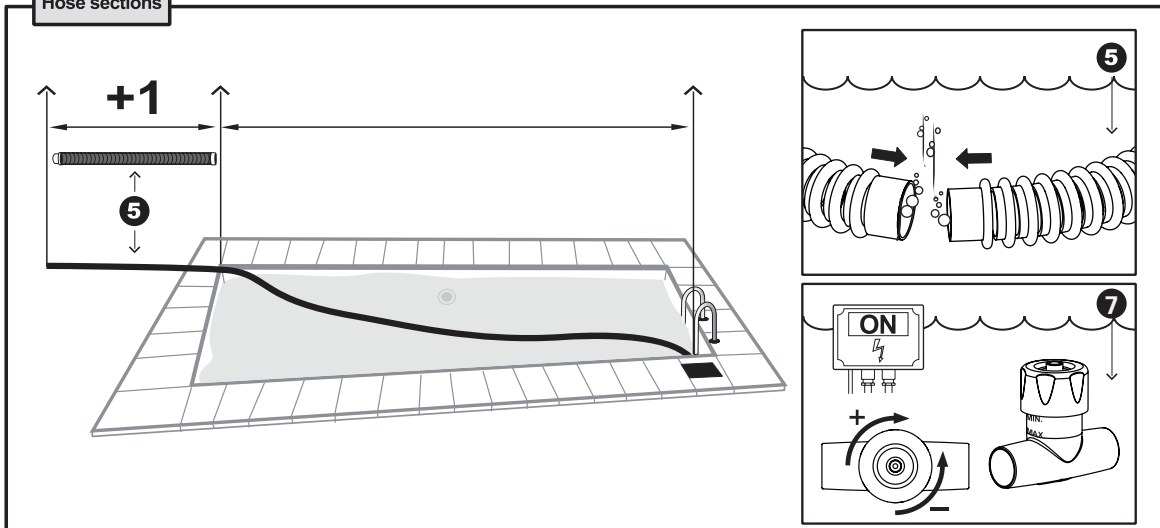
DA Skimmer



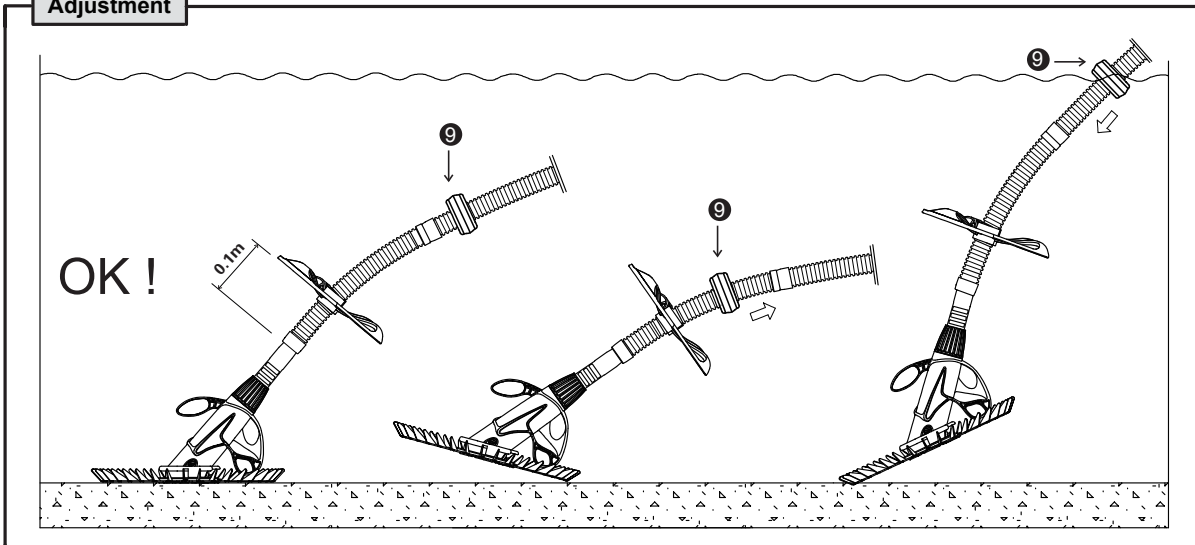
DB Suction nozzle



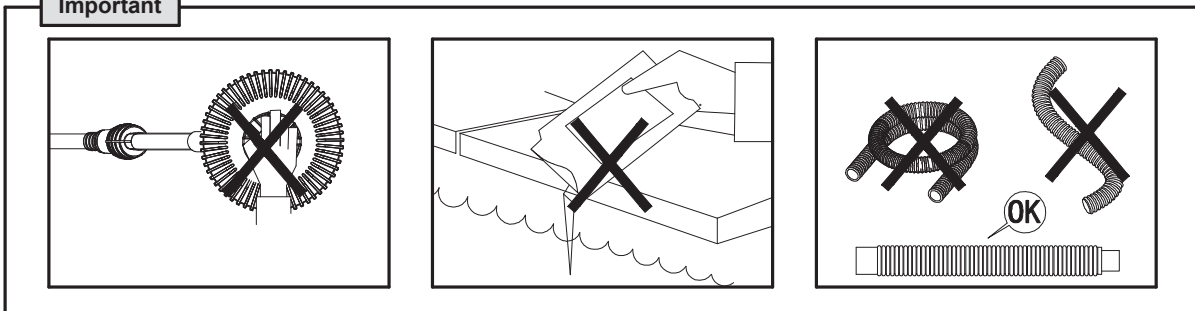
Hose sections



Adjustment



Important



Trouble Shooting Guide

PROBLEM	POSSIBLE SOLUTIONS
Cleaner stops and starts, or won't move at all.	<ul style="list-style-type: none"> • Check that the filter is clean and the pump is switched on. • Disengage the safety suction, ensure main drain is plugged. • Ensure that the vacuum plate is properly installed. • Check the cleaner and hose are free of trapped air. • Check the diaphragm for any damage or blockages.
Cleaner is missing spots in the pool.	<ul style="list-style-type: none"> • Ensure that the correct amount of hose is installed. Try adding or taking away one or two hose lengths. • Ensure that all the returns are directing water flow towards the floor of the pool, adjusting the eyeballs, or using water diverters available at your local pool shop. • Ensure that hose is straight and untangled.
Cleaner doesn't climb	<ul style="list-style-type: none"> • Ensure the pool water is properly balanced. For example, High pH and/or lack of chlorine, makes the walls very slippery • Increase the suction using the speed controller. • Check float arm is in the correct position. Note: In pools with a sharp 90 degree wall-to-floor it is unreasonable to expect the cleaner to climb the walls.
Cleaner spends too much time on the walls, and/or climbs out of the water.	<ul style="list-style-type: none"> • Decrease the suction using the speed controller. • Adjust the hose weight provided towards the cleaner head..
Cleaner sticks in corners under ladders, on lights or on pool steps.	<ul style="list-style-type: none"> • Ensure that the correct amount of hose is installed. Try adding or taking away one or two hose lengths. • Ensure that all the returns are directing water flow towards the floor of the pool, adjust the eyeballs, or use water diverters available at your local pool shop. Excess water movement on the water surface will hold or push the hose. • Add optional hose motors and / or replace wheel deflector with larger size available from your local pool shop.

We reserve the right to change all or part of the articles or contents of this document, without prior notice

..... **HEADOFFICE/EXPORT AUSTRIA**



+43 7435 58488-0 info@peraqu.com

..... **SERVICE/LOGISTICS**



+49 91719677 1200 office.de@peraplas.com



+420 323 63 76-73 office.cz@peraplas.com