

HR-UVC

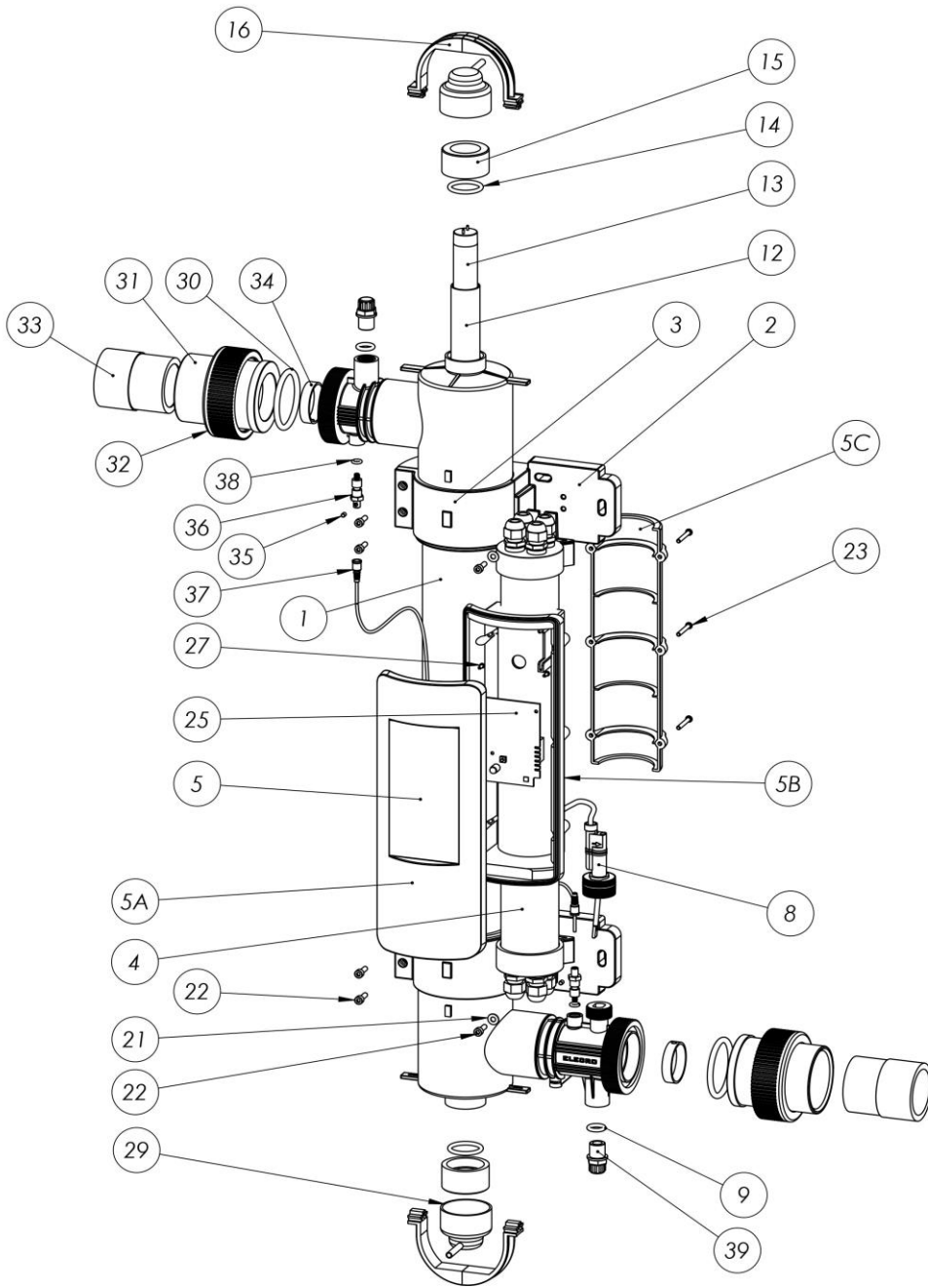
SPARE PART LISTS

LISTE DES PIÈCES DÉTACHÉES
ELENCO DEI PEZZI DI RICAMBIO

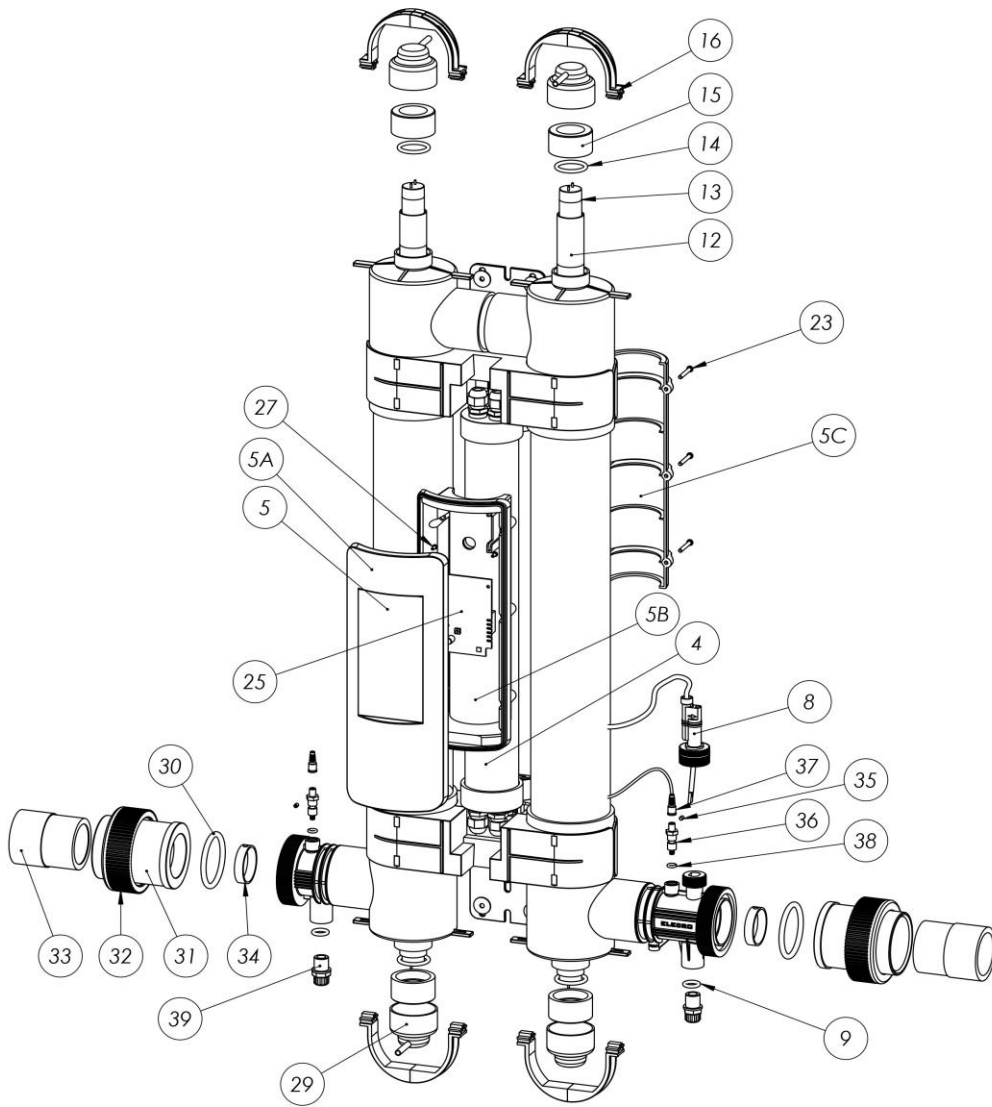


ELECRO
ENGINEERING

HR UV-C 55W

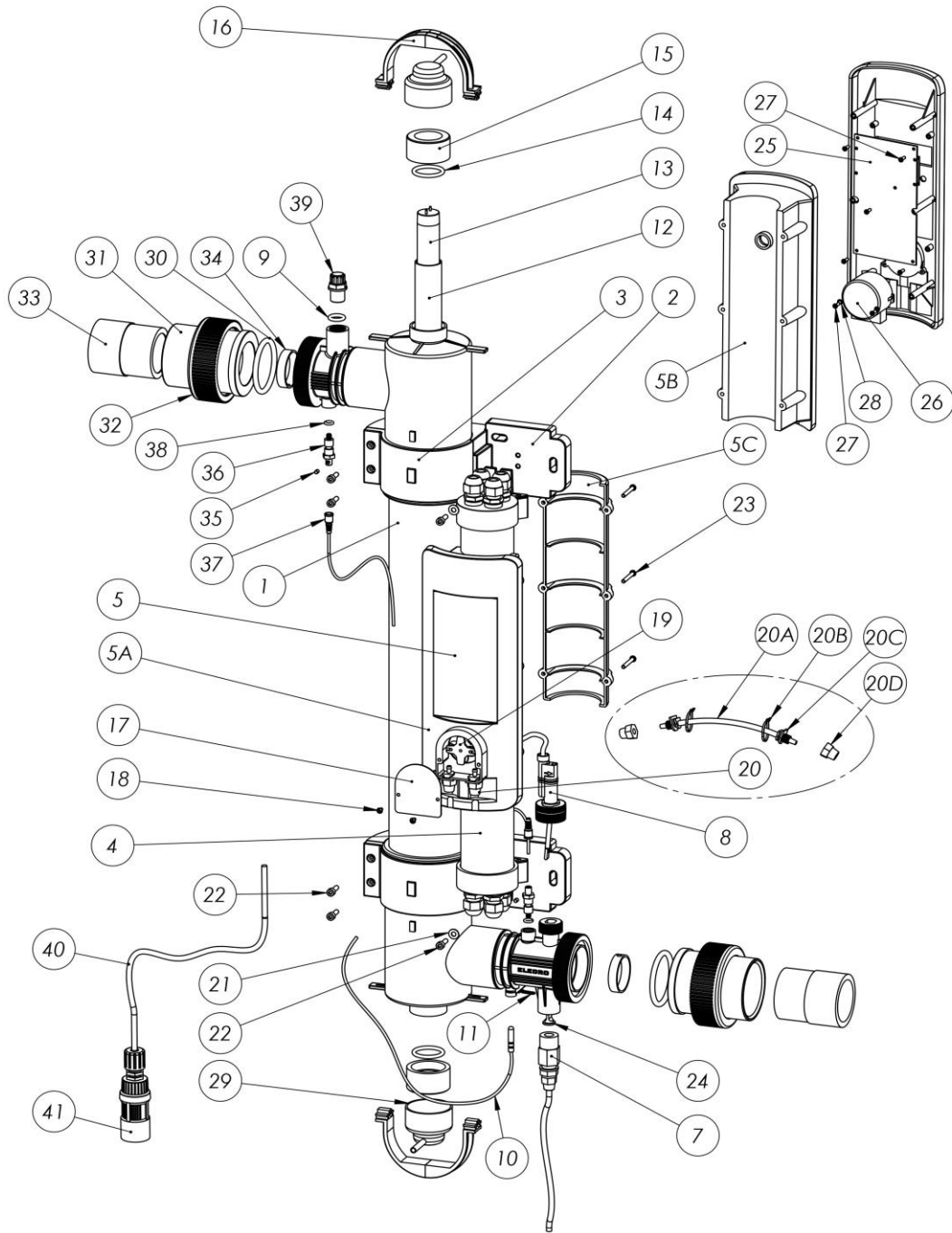


HR UV-C 110W

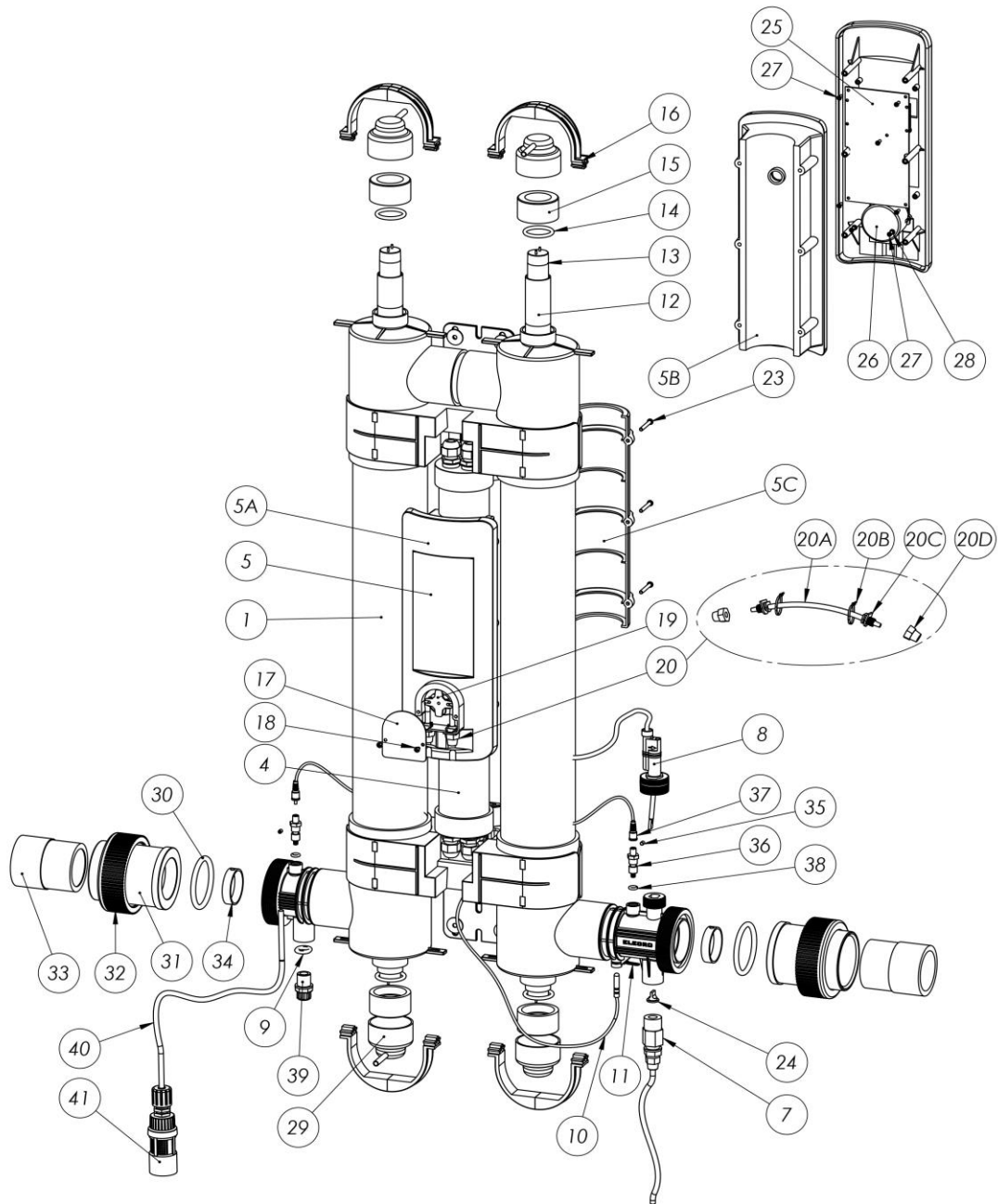


Item No.:	Description	Pcs/Unit HR-55	Pcs/Unit HR-110	Elecro Part Number HR-55	Elecro Part Number HR-110	GBP RRP (£)		EUR RRP (€)	
						HR-55	HR-110	HR-55	HRP110
1	HR-UVC Replacement Body Assembly (Complete with PTFE reflector and T-Piece)	1	1	SP-UV-B-HR-FS-55	SP-UV-B-HR-FS-110	190.00	350.00	212.80	392.00
2	Rear Mounting Bracket	2	-	Z-IM-UV-ST-RB	-	11.00	-	12.32	-
3	Front Mounting Bracket	2	-	Z-IM-UV-ST-FB	-	5.00	-	5.60	-
4	HRP-UVC Ballast Assembly	1	1	SP-UV-CG-QSH-55-UK (UK Plug)	SP-UV-CG-QSH-110-UK (UK Plug)	158.50	200.00	177.52	224.00
				SP-UV-CG-QSH-55-EU (EURO Plug)	SP-UV-CG-QSH-110-EU (EURO Plug)	158.50	200.00	177.52	224.00
5	Digital HR-UVC Control Enclosure (Complete with items: 5A, 5B, 5C, 25 & 27)	1	1	SP-UV-HR-ENC		85.00		95.20	
5A	HR-UVC Digital Front Cover Including overlay	1	1	SP-UV-HR-FC		85.00		95.20	
5B	Rear Enclosure	1	1	Z-IM-UV-ENC		11.50		12.88	
5C	Enclosure Clamp	1	1	Z-IM-UV-CLAMP		4.50		5.04	
8	Flow Switch	1	1	SP-107-UV-B		38.75		43.40	
9	Blanking Cap O-Ring Seal	2	2	Z-ORS-SR-PC-S		1.25		1.40	
12	Quartz Sleeve	1	2	SP-UV-QS		39.25		43.96	
13	Replacement UV Lamp	1	2	SP-UV-LAMP-EL		47.75		53.48	
14	Quartz Sleeve O-Ring Seal	2	4	SP-UV-ORS		1.20		1.34	
15	Quartz Sleeve Locking Nut	2	4	SP-UV-LNUT		7.15		8.01	
16	Lamp Holder / Restraint (2 halves + Screw)	2	4	SP-UV-LCR-S		6.75		7.56	
21	M5 Flat Form C Washer A2	2	2	Z-FIX-M5FCW		5.25		5.88	
22	Ballast Fixing Screw	2	2	Z-FIX-M4.8X19STS-SC	Z-FIX-M5X16BH	5.50	5.25	6.16	5.88
23	M4 x 40-mm Enclosure Fixing	6	6	Z-FIX-M4x40		1.50		1.68	
25	HR-UVC Maintenance Timer PCB	1	1	SP-UV-HR-PCB		66.50		74.48	
27	M3 x 8mm PCB Fixing	3	3	Z-FIX-M3X8-BLK		1.50		1.68	
29	Lamp Lead Connection	2	4	SP-UV-LLL-S		17.50		19.60	
30	Large Union O-Ring Seal	2	2	Z-ORS-UNI-L		4.25		4.76	
31	Union Socket 2" / 63mm	2	2	Z-IM-UNI-2"/63		6.00		6.72	
32	Union Nut	2	2	Z-IM-UNI-NUT		4.00		4.48	
33	Union Reducer 1½" / 50mm	2	2	Z-IM-UV-R		4.50		5.04	
34	10mm / 44.5mm OD Stainless Steel Ring	2	2	Z-TUB-SS44.5X10		8.50		9.52	
35	M4x4mm S/S Grub Screw	2	2	Z-FIX-M4X4GS		1.50		1.68	
36	Current Collector Pin (316 S/S)	2	2	Z-UV-CC-PIN		14.50		16.24	
37	UV Current Collector Rubber Boot	2	2	Z-UV-CC-RB		4.50		5.04	
38	UV Current Collector 'O' Ring	2	2	Z-ORS-UV-CC		2.50		2.80	
39	UV Blanking Plug	2	2	Z-IM-UV-BP		3.50		3.92	

HRP UV-C 55W



HRP UV-C 110W



Item No.:	Description	Pcs/Unit HRP-55	Pcs/Unit HRP-110	Electro Part Number HRP-55	Electro Part Number HRP-110	GBP RRP (£)		EUR RRP (€)	
						HRP-55	HRP-110	HRP-55	HRP-110
1	HRP-UVC Replacement Body Assembly (Complete with PTFE reflector and T-Piece)	1	1	SP-UV-B-HR-FS-55	SP-UV-B-HR-FS-110	190.00	350.00	212.80	392.00
2	Rear Mounting Bracket	2	-	Z-IM-UV-ST-RB	-	11.00	-	12.32	-
3	Front Mounting Bracket	2	-	Z-IM-UV-ST-FB	-	5.00	-	5.60	-
4	HRP-UVC Ballast Assembly	1	1	SP-UV-CG-QSH-55-UK (UK Plug)	SP-UV-CG-QSH-110-UK (UK Plug)	158.50	200.00	177.52	224.00
				SP-UV-CG-QSH-55-EU (EURO Plug)	SP-UV-CG-QSH-110-EU (EURO Plug)	158.50	200.00	177.52	224.00
5	Digital HRP-UVC Control Enclosure (Complete with items: 5A, 5B, 5C, 17, 18, 19, 20, 23, 25, 26, 27 & 28)	1	1	SP-UV-HRP-ENC		305.00		341.60	
5A	HRP-UVC Digital Front Cover Including overlay	1	1	SP-UV-HRP-FC		16.00		17.92	
5B	Rear Enclosure	1	1	Z-IM-UV-ENC		11.50		12.88	
5C	Enclosure Clamp	1	1	Z-IM-UV-CLAMP		4.50		5.04	
7	Dosing Port Assembly	1	1	SP-UV-DP-PA		7.50		8.40	
8	Flow Switch	1	1	SP-107-UV-B		38.75		43.40	
9	Blanking Cap O-Ring Seal	1	1	Z-ORS-SR-PC-S		1.25		1.40	
10	Temperature Sensor	1	1	Z-MIS-NTC-1000		30.75		34.44	
11	R' Clip	1	1	Z-MIS-R-CLIP		3.00		3.36	
12	Quartz Sleeve	1	2	SP-UV-QS		39.25		43.96	
13	Replacement UV Lamp	1	2	SP-UV-LAMP-EL		47.75		53.48	
14	Quartz Sleeve O-Ring Seal	2	4	SP-UV-ORS		1.20		1.34	
15	Quartz Sleeve Locking Nut	2	4	SP-UV-LNUT		7.15		8.01	
16	Lamp Holder / Restraint (2 halves + Screw)	2	4	SP-UV-LCR-S		6.75		7.56	
17	Dosing Pump Cover Plate	1	1	Z-DP-FCC		14.00		15.68	
18	M3x6 A2 Cover Plate Fixing	2	2	Z-FIX-M3x6BH		1.25		1.40	
19	Dosing Pump CAM Assembly & Secure Pin	1	1	SP-UV-DP-CWA		37.00		41.44	
20	Dosing Tube Assembly	1	1	SP-UV-DP-DTA		19.00		21.28	
20A	Peristaltic Dosing Tube	1	1	Available Only As Dosing Tube Assembly: SP-UV-DP-DTA		19.00		21.28	
20B	Securing Cable Tie	2	2						
20C	Dosing Connection Point	2	2						
20D	Connection Cap	2	2						
21	M5 Flat Form C Washer A2	2	2	Z-FIX-M5FCW		5.25		5.88	
22	Ballast Fixing Screw	2	2	Z-FIX-M4.8X19STS-SC	Z-FIX-M5X16BH	5.25	5.25	5.88	5.88
23	M4 x 40-mm Enclosure Fixing	6	6	Z-FIX-M4x40		1.50		1.68	
24	Rubber Lip Valve and Top Hat Bush	1	1	SP-UV-DP-RDV		8.00		0.00	
25	Intelligent Dosing Pump PCB	1	1	SP-UV-HRP-PCB		195.00		218.40	
28	M3 A2 Locking Washer	2	2	Z-FIX-M3LW		1.50		1.68	
26	Dosing Pump Motor	1	1	Z-UV-MPP		57.00		63.84	
27	M3 x 8mm PCB Fixing	7	7	Z-FIX-M3X8-BLK		1.50		1.68	
29	Lamp Lead Connection	2	4	SP-UV-LLL-S		17.50		19.60	
30	Large Union O-Ring Seal	2	2	Z-ORS-UNI-L		4.25		4.76	
31	Union Socket 2"/ 63mm	2	2	Z-IM-UNI-2"/63		10.00		11.20	
32	Union Nut	2	2	Z-IM-UNI-NUT		6.00		6.72	
33	Union Reducer 1½"/ 50mm	2	2	Z-IM-UV-R		4.50		5.04	
34	10mm / 44.5mm OD Stainless Steel Ring	2	2	Z-TUB-SS44.5X10		8.50		9.52	
35	M4x4mm S/S Grub Screw	2	2	Z-FIX-M4X4GS		1.50		1.68	
36	Current Collector Pin (316 S/S)	2	2	Z-UV-CC-PIN		14.50		16.24	
37	UV Current Collector Rubber Boot	2	2	Z-UV-CC-RB		4.50		5.04	
38	UV Current Collector 'O' Ring	2	2	Z-ORS-UV-CC		2.50		2.80	
39	UV Blanking Plug	2	2	Z-IM-UV-BP		3.50		3.92	
40	Suction Tubing	1	1	Z-DP-PVCH		7.50		8.40	
41	Foot Valve Strainer Assembly	1	1	Z-DP-FS		42.00		47.04	

Improving pools *globally*

11 Gunnels Wood Park, Gunnels Wood Road,
Stevenage, Hertfordshire, SG1 2BH, UK

Tel: +44 1438 749 474

Email: sales@elecra.co.uk

Web: www.elecra.co.uk

We reserve the right to change all or part of the features of the articles
or contents of this document, without prior notice.

Nous nous réservons le droit de modifier en tout ou en partie les caractéristiques
de nos articles ou le contenu de ce document sans avis.

Ci riserviamo il diritto di modificare in tutto o in parte le caratteristiche
dei nostri articoli o contenuto di questo documento senza preavviso.
