

EN  
FR  
ES  
IT  
DE  
PT  
ND

**SALT ELECTROLYSIS SYSTEM**  
**SYSTÈME D'ÉLECTROLYSE SALINE**  
**SISTEMA DE ELECTROLISIS SALINA**  
**SISTEMA PER L'ELETTROLISI DEL SALE**  
**SALZ-ELEKTROLYSE-SYSTEM**  
**SISTEMA DE ELECTRÓLISE SALINA**  
**ZOUTELEKTROLYSESYSTEME**

**Model. DOM-12 /PH /PLUS**  
**DOM-24 /PH /PLUS**  
**DOM-32 /PH /PLUS**  
**DOM-42 /PH /PLUS**



*INSTALLATION AND MAINTENANCE MANUAL*  
*MANUEL D'INSTALLATION ET D'ENTRETIEN*  
*MANUAL DE INSTALACION Y MANTENIMIENTO*  
*MANUALE DI INSTALLAZIONE E MANUTENZIONE*  
*EINBAU-UND BETRIEBSANLEITUNG*  
*MANUAL DE INSTRUÇÕES E MANUTENÇÃO*  
*INSTALLATIE- EN ONDERHOUDSHANDLEIDING*

**PoolStation®**  
compatible




**IDEGIS**

POOLSTATION®  
SERIES



**IMPORTANT:** The instruction manual you are holding includes essential information on the safety measures to be implemented for installation and start-up. Therefore, the installer as well as the user must read the instructions before beginning installation and start-up. Keep this manual for future reference.



**Disposal of waste electrical and electronic domestic systems in the European Union**

All the products marked with this symbol indicate that the product shall not be mixed or disposed with your household waste at their end of use. It is responsibility of the user to eliminate this kind of wastes depositing them in a recycling point adapted for the selective disposal of electrical and electronic wastes. The suitable recycling and treatment of these wastes contributes in essential way to the preservation of the Environment and the health of the users. For further information regarding the points of collection of this type of wastes, please contact to the dealer where you acquired the product or to your municipal authority.

The instructions given in this manual describe the operation and maintenance of DOMOTIC Series DOM-XX, DOM-XX PH and DOM-XX PLUS Salt Electrolysis Systems. For optimum performance of the DOMOTIC Series Salt Electrolysis Systems, we recommend you to follow the instructions given below:

**1. CHECK THE CONTENTS OF THE PACK:** \_\_\_\_\_

You should find the following elements inside the box:

- Power supply.
- Electrolysis cell.
- pH sensor (only in DOM-XXPH).
- EX-ORP sensor (only in DOM-XX PLUS Series).
- Calibration solutions pH 7.0 (green) / pH 4.0 (red) / ORP 470 mV (only in DOM-XXPH and DOM-XX PLUS models).
- Sensor holder (only in DOM-XX PH and DOM-XX PLUS models).
- CEE22 (M) connector for dosage pump (only in DOM-XX PH and DOM-XX PLUS models).
- Operation Manual.

**2. GENERAL FEATURES:** \_\_\_\_\_

When DOMOTIC Series Salt Electrolysis System is installed, a quantity of salt must be dissolved into the swimming pool water. This salty water then passes through the electrolysis cell that is located in the plant room. The DOMOTIC Series Salt Electrolysis System consists of two elements: an electrolysis cell and a power supply. The electrolysis cell contains a quantity of titanium plates (electrodes) and when a weak electrical current is passed through the plates inside the electrolysis cell, there is chlorine production.

Maintaining a level of chlorine in swimming pool water keeps the water sanitised and healthy to swim in. The DOMOTIC Series Salt Electrolysis System will manufacture chlorine whenever the pool circulation system (pump and filter) is operational.

The power supply is provided with various safety devices, which are activated in case of irregular operation of the system, as well as a microprocessor driven control system.

The DOMOTIC Series Salt Electrolysis Systems have an automatic cleaning system that avoids scale formation on the electrodes. Moreover, DOMOTIC-PH Series Systems include a built-in pH controller, as well as an additional ORP controller in the case of DOMOTIC-PLUS Series models.

**3. SAFETY WARNINGS AND RECOMMENDATIONS:** \_\_\_\_\_

- The equipment should be assembled and handled by truly qualified people.
- Current electrical and accident prevention regulations should be followed.
- Under no circumstances will the manufacturer be held responsible for the assembly, installation or start-up, nor any handling or fitting of components unless they are carried out on its premises.
- The DOMOTIC Series Salt Electrolysis Systems operate at 230VAC, 50/60 Hz. Do not attempt to alter the system to operate at a different voltage.
- Check that all the electrical connectors are well tightened to avoid false contacts and their consequent overheating.
- Before installing or replacing any component, disconnect the equipment from the mains, and use exclusively spare parts supplied by IDEGIS.
- Taking into account the fact that the equipment produces heat, it must be installed in places with sufficient ventilation. Fan openings should be kept free of any element that could obstruct them. The equipment should not be installed near flammable materials.
- The DOMOTIC Series Salt Electrolysis Systems have an IP24 protection degree. They should never be installed in places susceptible to flooding.

## POWER SUPPLY

| DESCRIPTION   | MODEL  |                                     |                                     |                                     |
|---|--|-------------------------------------|-------------------------------------|-------------------------------------|
|   | DOM-12 / DOM-12 PH /<br>DOM-12 PLUS  | DOM-24 / DOM-24 PH /<br>DOM-24 PLUS | DOM-32 / DOM-32 PH /<br>DOM-32 PLUS | DOM-42 / DOM-42 PH /<br>DOM-42 PLUS |
| Standard working voltage  | 230 V AC, 50/60 Hz.  |                                     |                                     |                                     |
| Output (dc)   | 12 A (2x6 A)   | 24 A (2x12 A)                       | 32 A (2x16A)                        | 42 A (6x7A)                         |
| Production (g/h)  | 10 - 12  | 20 -24                              | 25 - 32                             | 34 - 42                             |
| Swimming pool (m <sup>3</sup> )<br>Warm: 16 - 24°C (60,8 - 75,2 °F)<br>Hot: +25°C (77 °F) | 60<br>50   | 100<br>80                           | 160<br>120                          | 200<br>160                          |
| Flow detector   | Gas detector   |                                     |                                     |                                     |
| Salinity /Temperature range   | 3 - 12 g./l. / +15 - 40°C (59 - 104°F)   |                                     |                                     |                                     |
| Electrodes  | SELF-CLEANING coated Titanium<br>Estimated lifetime: 10.000 - 12.000 hours of operation <sup>(2)</sup>   |                                     |                                     |                                     |
| Production control  | 0 - 100 % ( 11 production levels)  |                                     |                                     |                                     |
| Cover control   | Input for potential free contact<br>Programmable reduction of production from control panel when cover is closed [10% ... 90%]                             |                                     |                                     |                                     |
| Polarity switch   | Programmable from control panel: 2 <sup>(1)</sup> /3 hours + test mode   |                                     |                                     |                                     |
| External control  | Two inputs for potential free contact for external flow detector and ORP/RESIDUAL CHLORINE control.<br>Programmable contact logics from unit control panel |                                     |                                     |                                     |
| Salt level protection   | Automatic production protection  |                                     |                                     |                                     |

<sup>(1)</sup> Factory default.

<sup>(2)</sup> Under ideal conditions: salinity (6 g/l), pH (7.2), water hardness (120 mg/l) and minimum flow rate.

## ELECTROLYSIS CELL

| DESCRIPTION                | MODEL                               |                                     |                                     |                                     |
|----------------------------|-------------------------------------|-------------------------------------|-------------------------------------|-------------------------------------|
|                            | DOM-12 / DOM-12 PH /<br>DOM-12 PLUS | DOM-24 / DOM-24 PH /<br>DOM-24 PLUS | DOM-32 / DOM-32 PH /<br>DOM-32 PLUS | DOM-42 / DOM-42 PH /<br>DOM-42 PLUS |
| Minimum recirculation flow | 2 m <sup>3</sup> /h                 | 4 m <sup>3</sup> /h                 | 6 m <sup>3</sup> /h                 | 8 m <sup>3</sup> /h                 |
| Electrode number           | 5                                   | 7                                   | 7                                   | 13                                  |
| Material                   | Methacrylate derivate               |                                     |                                     |                                     |
| Pipe connections           | Gluing with PVC adhesive Ø 63 mm    |                                     |                                     |                                     |
| Max. Recommended pressure  | 1 Kg./cm <sup>2</sup>               |                                     |                                     |                                     |
| Working temperature        | Less than 40°C (104°F)              |                                     |                                     |                                     |

## PH / ORP CONTROL

| DESCRIPTION         | MODEL   |                          |                          |                          |
|---------------------|---|--------------------------|--------------------------|--------------------------|
|                     | DOM-12 PH<br>DOM-12 PLUS  | DOM-24 PH<br>DOM-24 PLUS | DOM-32 PH<br>DOM-32 PLUS | DOM-42 PH<br>DOM-42 PLUS |
| Measure range       | 0.0 - 9.9 (pH) / 0 - 999 mV (ORP)   |                          |                          |                          |
| Control range       | 7.0 - 7.8 (pH) / 600 - 850 mV (ORP)   |                          |                          |                          |
| Precision           | ± 0.1 pH / ± 1 mV   |                          |                          |                          |
| Calibration         | Automatic, with calibration solutions   |                          |                          |                          |
| Control output [pH] | One output 230 VAC / 500 mA for dosage pump connection  |                          |                          |                          |
| pH / ORP sensor     | Epoxy body, 12x150 mm., 0-80°C (32 - 176°F)<br>blue, range 0 - 12 (pH),<br>red, range 0 - 1000 mV (ORP) |                          |                          |                          |

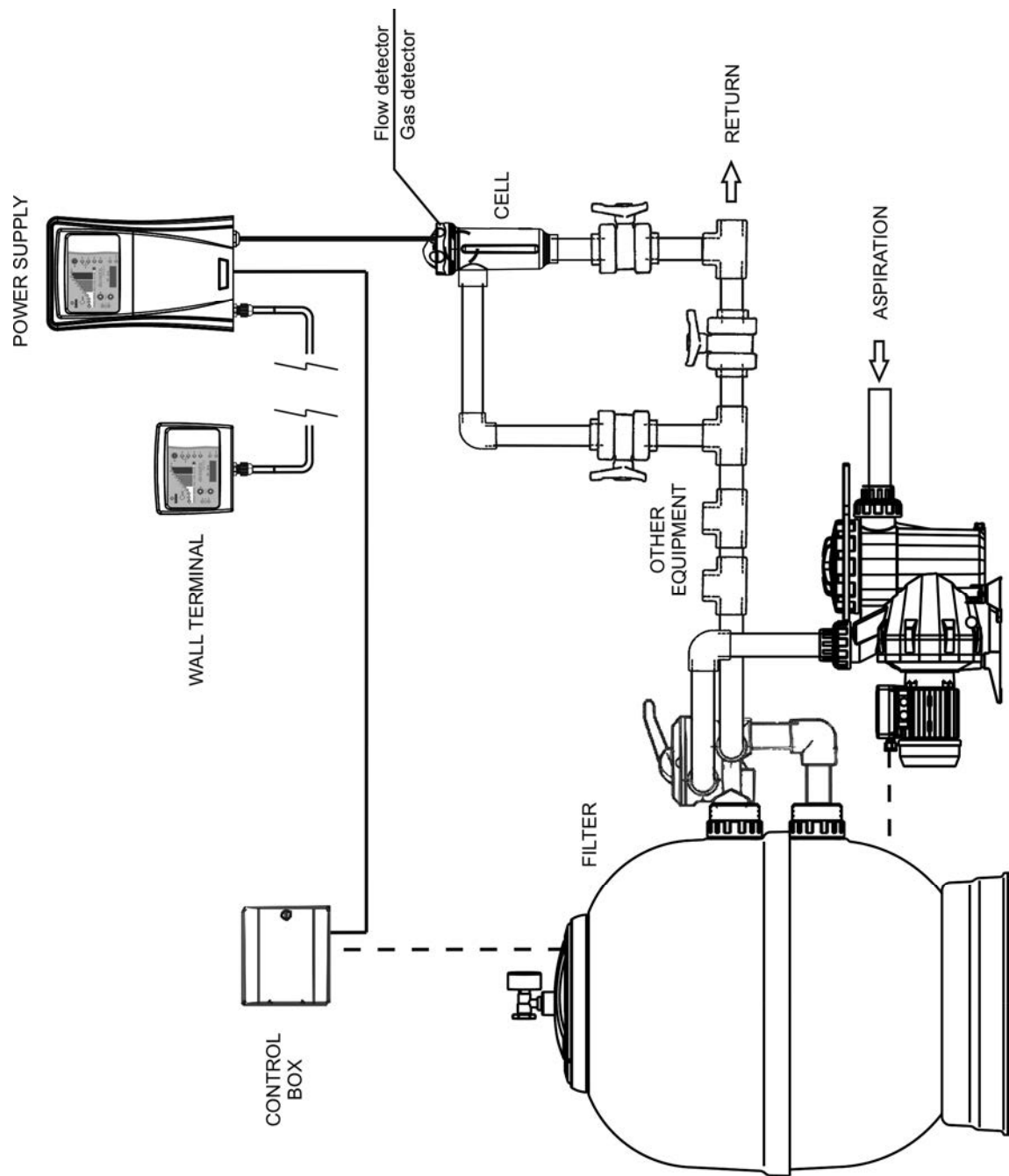


Fig.1 Recommended installation diagram (DOMOTIC Series DOM-XX).

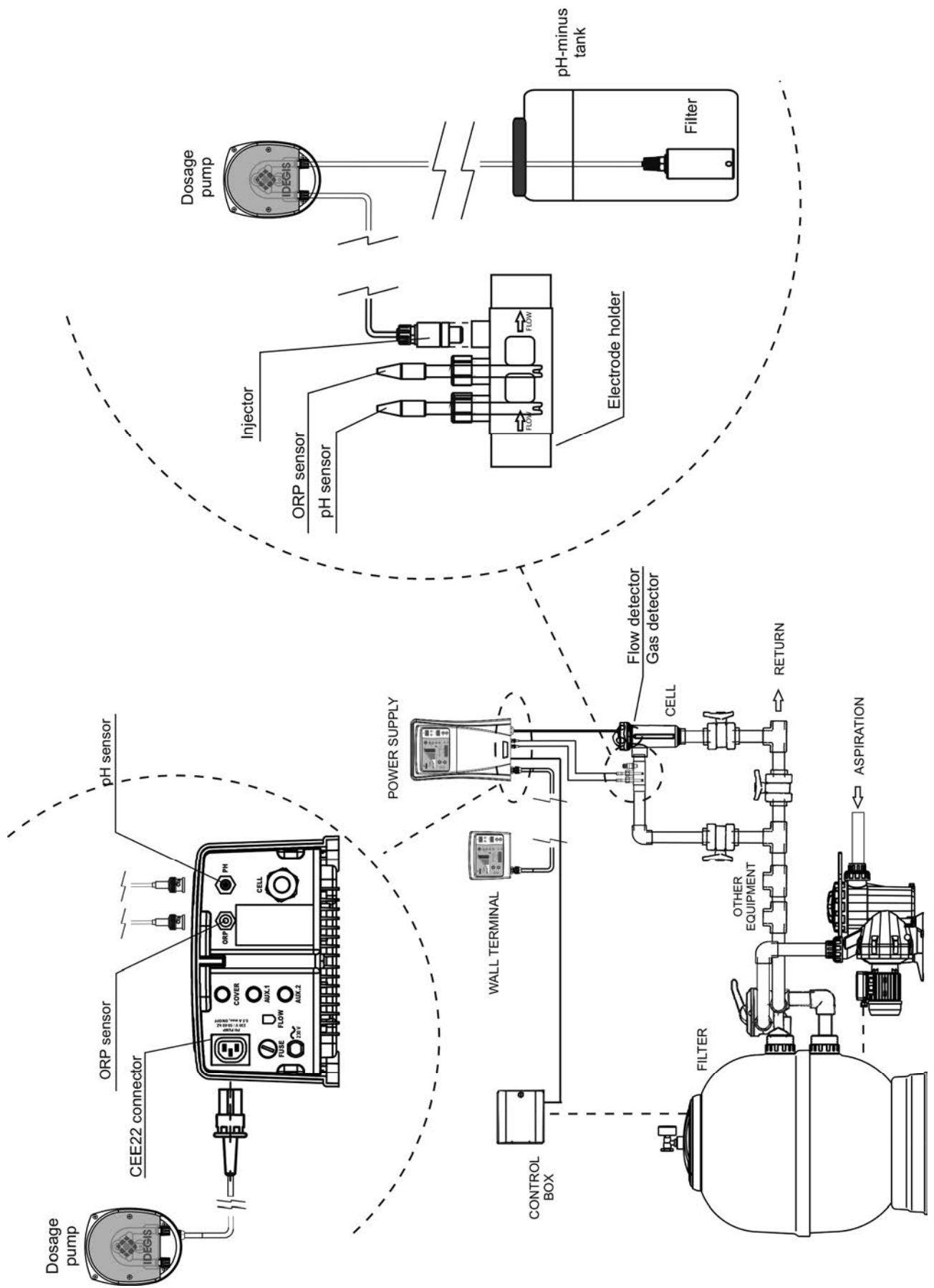


Fig.2 Recommended installation diagram (DOMOTIC Series DOM-XX PH and DOM-XX PLUS).

## 4. INSTALLATION:

### 4.1. Installation of the power supply

Always install the POWER SUPPLY of the DOMOTIC Series system VERTICALLY on a solid and rigid surface (wall) as shown in the recommended installation diagram (Figs. 1,2). In order to guarantee a good state of conservation, the POWER SUPPLY should be installed in a well-ventilated dry place. Due to IP degree of the POWER SUPPLY the DOMOTIC Series system should not be installed outdoors. The POWER SUPPLY should be installed a bit distant from the electrolysis cell so that it cannot accidentally suffer water splashes.

**Beware of corrosive atmosphere formation due to pH decreasing solutions (specially, those ones based on hydrochloric acid "HCl"). Do not install the DOMOTIC Series system near to any stores of these chemicals. We strongly recommend the use of chemicals based on sodium bisulphate or diluted sulphuric acid. Power supply must be connected to the electrical control box of the pool, so that the pump and the DOMOTIC Series System are turned on (and off) simultaneously.**

### 4.2. Installation of the electrolysis cell

The electrolysis cell is made of a transparent polymer in whose interior the electrodes are placed. The electrolysis cell must be always installed indoors and **after the pool filter**, and after any other equipment that may be present (heat pumps, control systems, etc.).

The installation of the cell should allow easy access to the installed electrodes by the user. It is highly recommended to install the electrolysis cell VERTICALLY, in a place of the pipe that can be easily isolated from the rest of the installation by two valves, so that the tasks of maintenance can be carried out with no need of partial or total draining of the swimming pool.

Where the cell is installed on a by-pass (recommended option), a valve to regulate the flow must be introduced. Prior to installation, please consider the following commentaries:

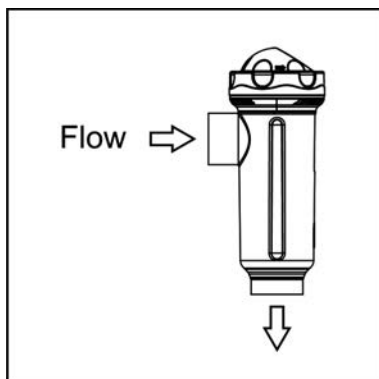


Fig. 3

1. Flow direction marked in the cell must be respected. Recirculation system must guarantee the minimum flow stated in the Table of Technical Specifications for each model (see Section 9).

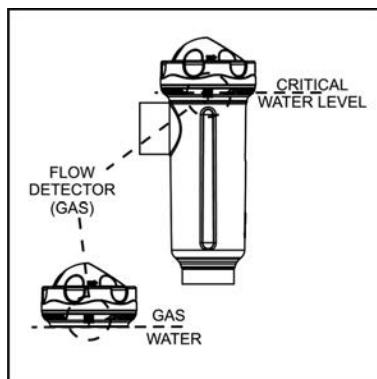


Fig. 4

2. The system flow detector activates if there is not recirculation (flow) of water through the cell or if flow is very low. If electrolysis gases are not properly removed through the electrolysis cell, the generated gas bubble electrically isolates the auxiliary electrode (electronic detection). Therefore, when locating the electrodes in the cell, the level sensor (auxiliary electrode) will have to be located in the higher area of the cell. The safest orientation is shown in the recommended installation diagram.

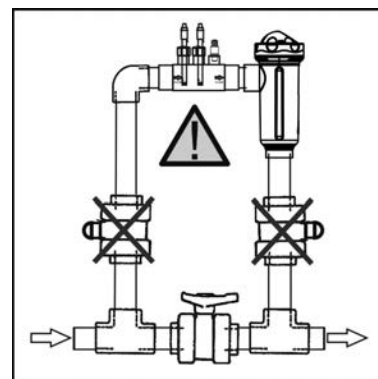


Fig. 5

3. **WARNING:** if the in-out valves of the electrolysis cell are closed simultaneously, the flow detector (gas detector) will not work correctly, with the consequent risk of cell breakdown. Although this situation is extremely unusual, **it can be easily avoided once the equipment has been installed, by locking at opened position the return valve to the swimming pool**, so it cannot accidentally be manipulated.

Other configurations would only be acceptable in the case that they allow for detection of gas bubbles when water flow through the cell is too low.

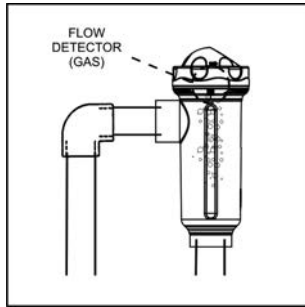


Fig. 6

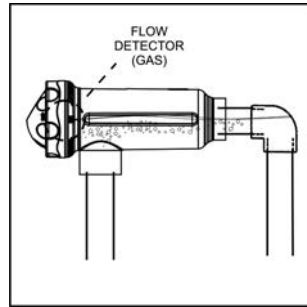


Fig. 7

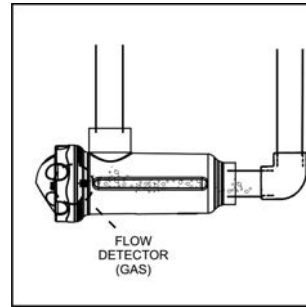


Fig 8

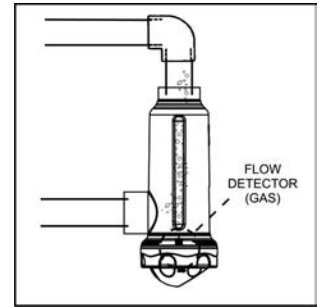


Fig 9

**Recommended installation**

**Allowed installation**

**Not allowed installations**

The electrodes must be inserted in the electrolysis cell, fitting the central electrode through the guides located at the top and bottom of the cell.

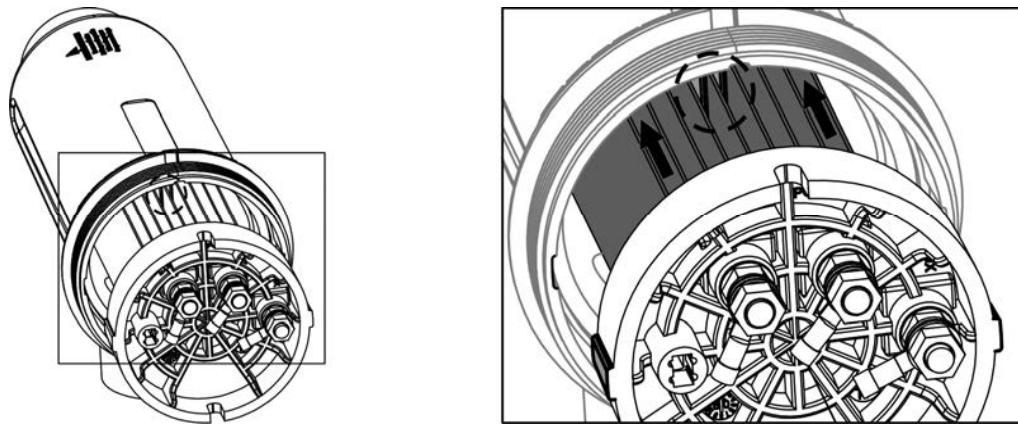
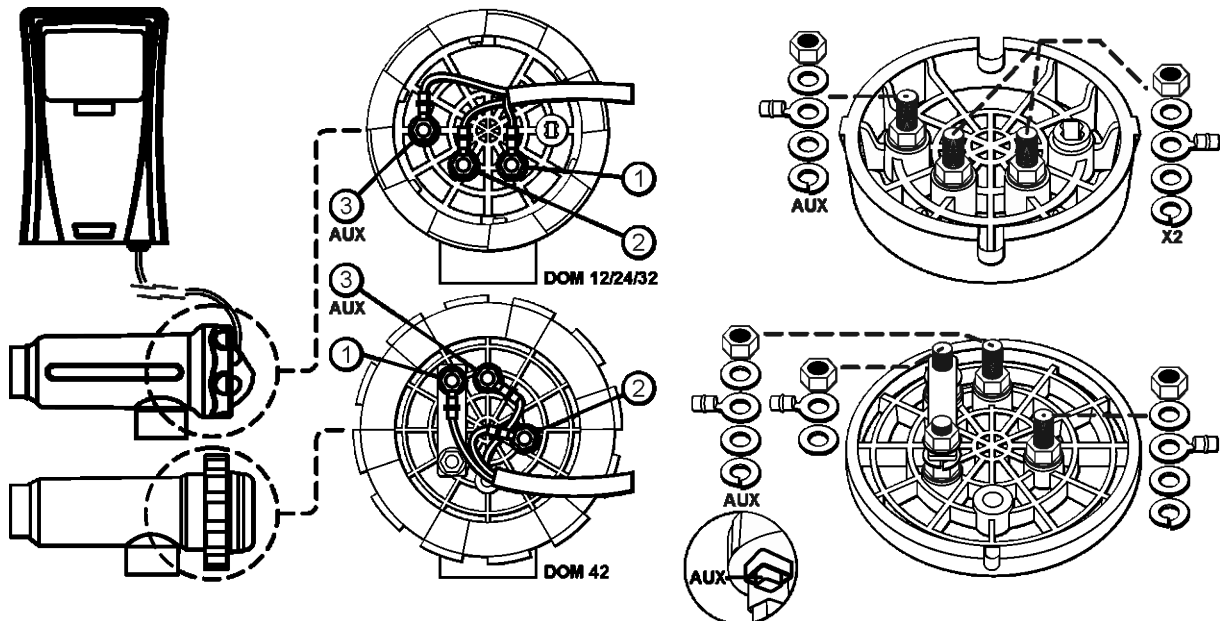


Fig 10

**4.3. Electrical connection of the electrolysis cell**

Make the interconnection between the electrolysis cell and the power supply according to the following scheme. Due to relatively high current intensity circulating do not modify or cut either the length or section of the supplied cables without making a previous consultation to an authorized IDEGIS distributor. The cable connecting the electrolysis cell and the power supply should never exceed the maximum length recommended in this Manual: DOM-12 (6 A), 7.5 m.; DOM-24 (12 A), 4.0 m.; DOM-32 (16 A), 3.0 m.; DOM-42 (7 A), 16.0 m.



- 1.- Electrode 1 (Red)
  - 2.- Electrode 2 (Red)
  - 3.- Flow detector (Yellow)
- Fig.11



#### 4.4. Installation of the pH / ORP sensors (only in DOM-XX PH and DOM-XX PLUS).

1. Insert the pH / ORP sensors into their corresponding places of the holder (Fig. 12)
2. To that purpose, loosen the connection screws and insert the sensor into the holder.
3. The sensors must be installed in the holder so that it is guaranteed that the sensors located in their ends are always submerged in the water circulating through the pipe.
4. **Always install the pH / ORP sensors vertically or with a maximum inclination of 40° (Fig. 13).**

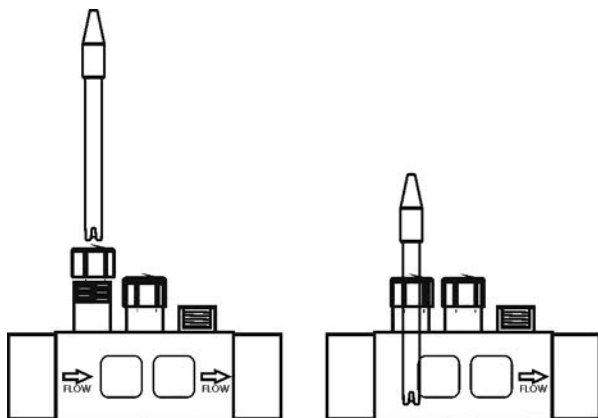


Fig. 12

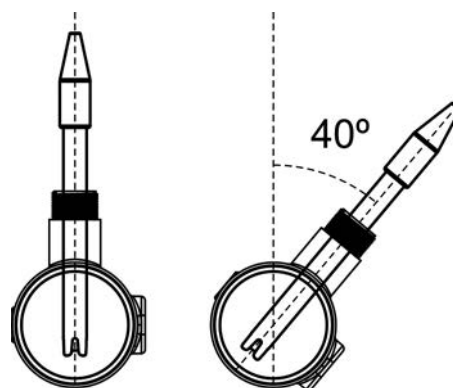


Fig. 13

#### 4.5. Installation of the optional external flow detector (not included with the equipment)

1. Install the saddle supplied in a section of the pipe at the entrance to the electrolysis cell. It should always be installed in a horizontal position relative to the ground (see Fig. 14-1).
2. Install the flow detector (flow switch) vertically in the saddle (Fig. 14-1).
3. There is an arrow on the head of the flow detector. Make sure that this arrow is parallel to the pipe shaft and pointing in the direction that the water flows (Fig. 14-2).
4. Do not install the flow detector near magnetic objects. They could affect the operation of the magnetic device it contains and reduce its reliability.

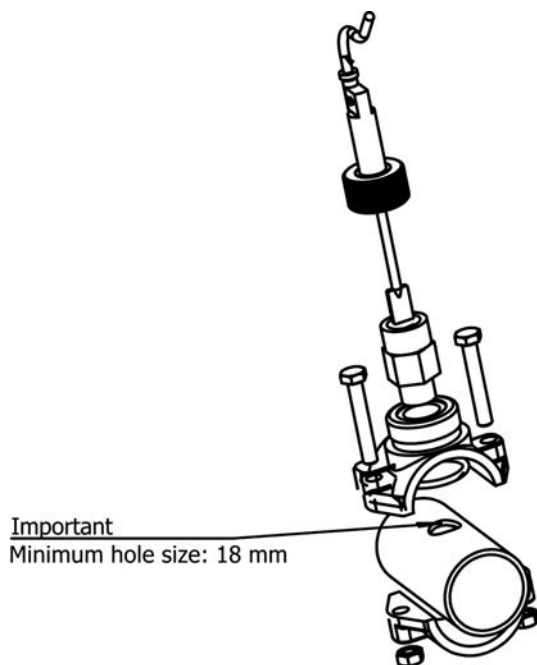


Fig. 14-1

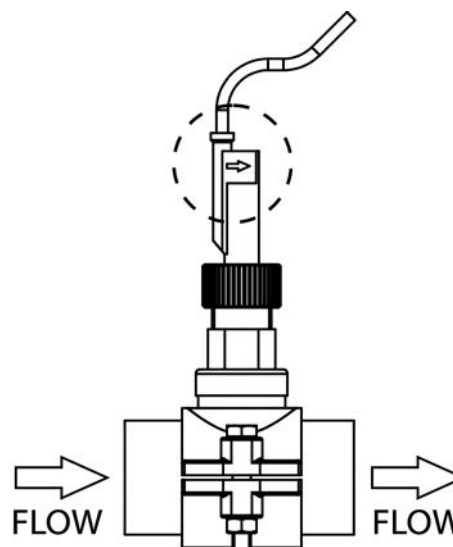


Fig. 14-2

#### 4.6. Installation of the removable control terminal

In the DOMOTIC series systems it is possible to establish a remote control of the electrolysis salt system installed in the swimming pool by means of a control wall terminal installation. The interconnection between the power supply and the control terminal can be executed through a 6-conductor signal cable connected to the respective connectors in power and visualization cards. The cable length will be determined by the customer's requirements but must be always lower than 40 meters. The terminal is 10,5 Vac auto-supplied by the communication bus, so it doesn't need any additional supply.

The wall terminal doesn't require any special maintenance procedure, with the exception of these maintenance recommendations:

- o Use a slightly moisten cloth to clean it.
- o Don't use aggressive cleaning products (bleach, sprays, solvents, alcohol, etc.)

The remote control is designed to be installed on a rigid wall. Its IP-65 degree allows the outdoor installation. Nevertheless, it's recommended not to expose the terminal to the solar rays. In order to install the remote control, follow the instructions shown below:

1. Remove the power supply cover by unscrewing the fixation screw (Fig. 11-1) and sliding upwards and outwards (Fig. 11-2). Then turn the cover to the left (Fig. 11-3) and disconnect the communications bus (A) from power and visualization cards (Fig. 11-4).
2. Unscrewing its four fixation screws (Fig. 11-5).
3. Assemble the control terminal (Fig. 11-6).

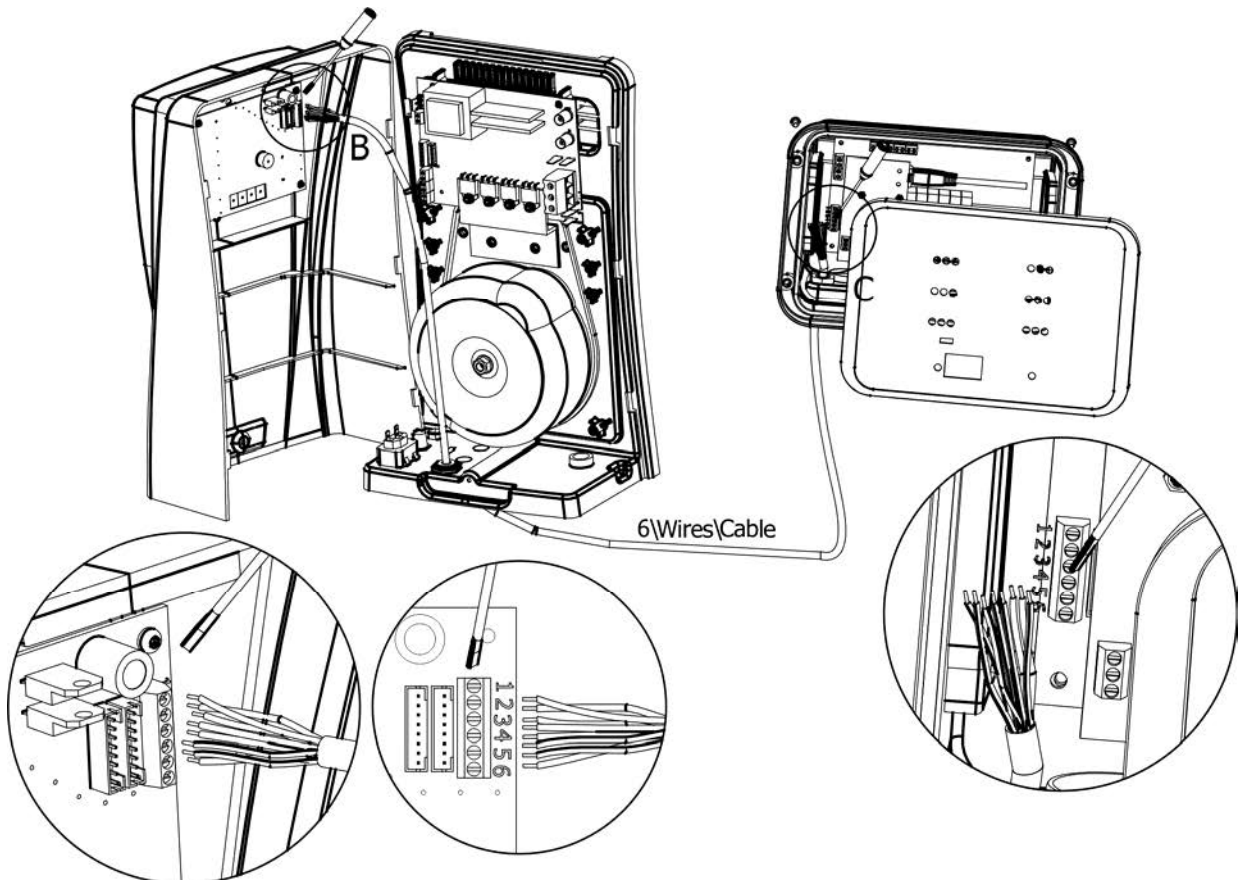
OPTION A: installation using the original IDEGIS cable ref. DOM-020-XX (XX indicates the cable length in meters).

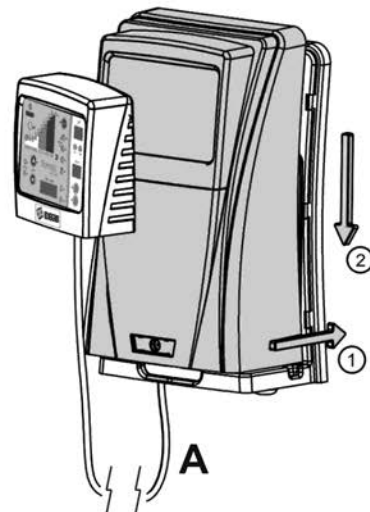
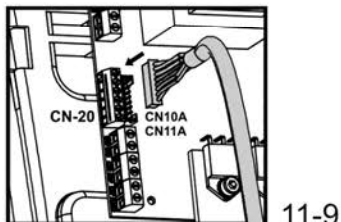
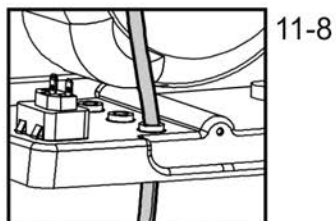
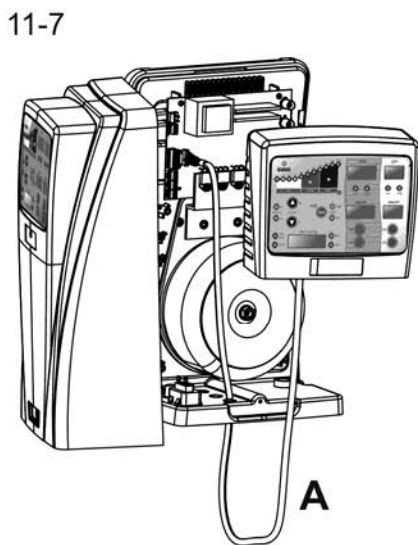
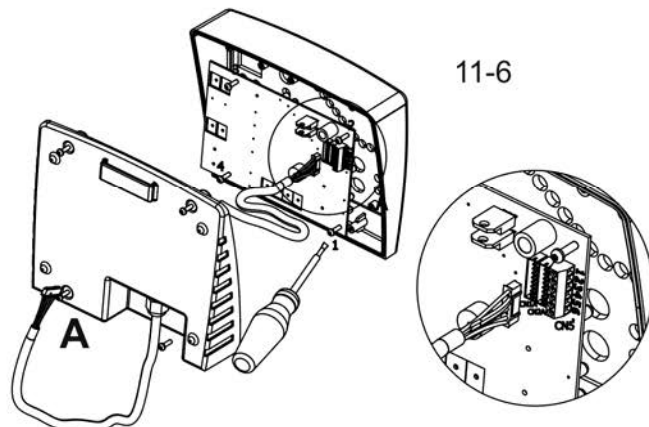
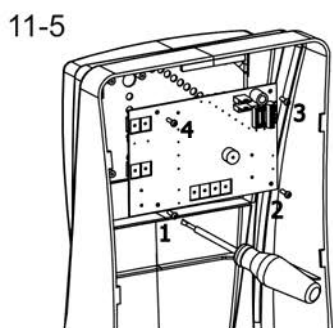
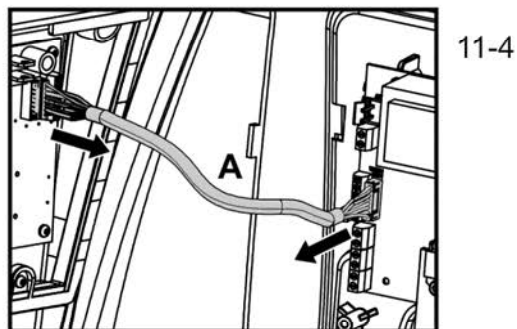
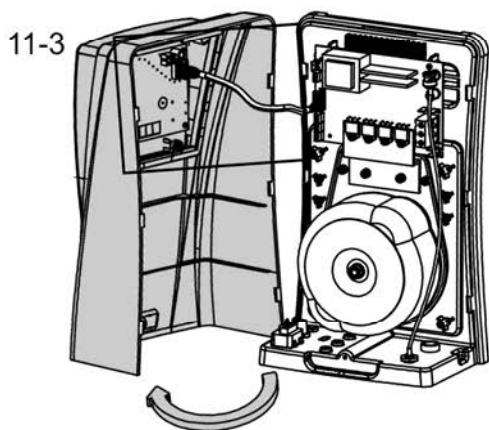
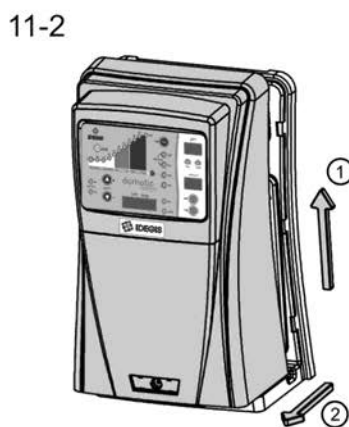
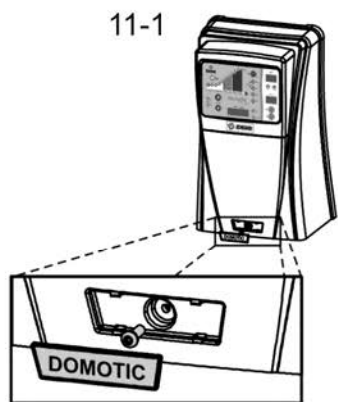
OPTION B: installation using a standard 6-conductor signal cable (each conductor must have a 0,22 mm<sup>2</sup> minimum cross section).

In both cases the maximum possible length is 40 meters. Nevertheless, using an Unshielded Twisted Pair (UTP) (Category 5e unshielded) allows interconnection distances until 60 meters.

4. For this purpose, put the new communications cable (A) through the cable gland situated in the terminal base and connect it in either one of the two connectors of the visualization card (CN1A, CN2A) [**OPTION A**], or in the connector CN-5 [**OPTION B**]. Combine the visualization frontal and the terminal base using the four screws supplied.
5. Put the free end of the communications cable through the AUX 2 hole situated on the power supply base (Figs. 11-7, 11-8) and connect it in the connector CN10A/CN11A [**OPTION A**] or in the connector CN-20 [**OPTION B**] in the power card (Fig. 11-9). Replace the cover in the power supply (Fig. 11-7).
6. Fix the wall fixation (see section 8) in the chosen installation point and hang the control terminal on it.

#### 4.7 Connection PoolStation





4.7. Controls and indicators

DOMOTIC Series electrolysis systems are equipped with a control panel in the front (Figs. 15,16, 16b).

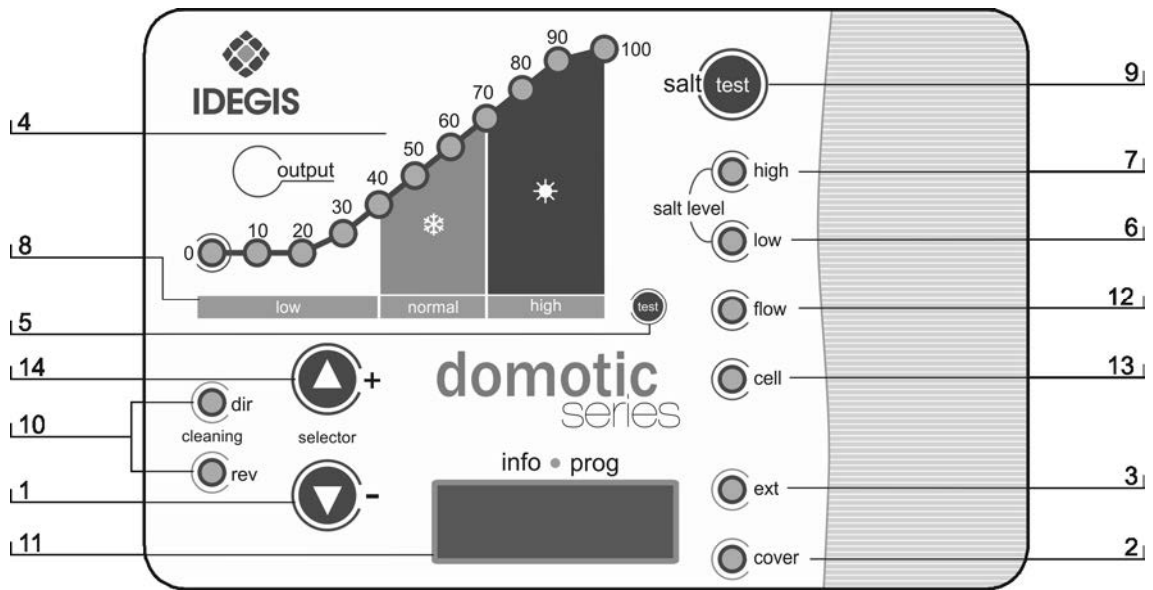


Fig. 15. DOM-XX models control panel

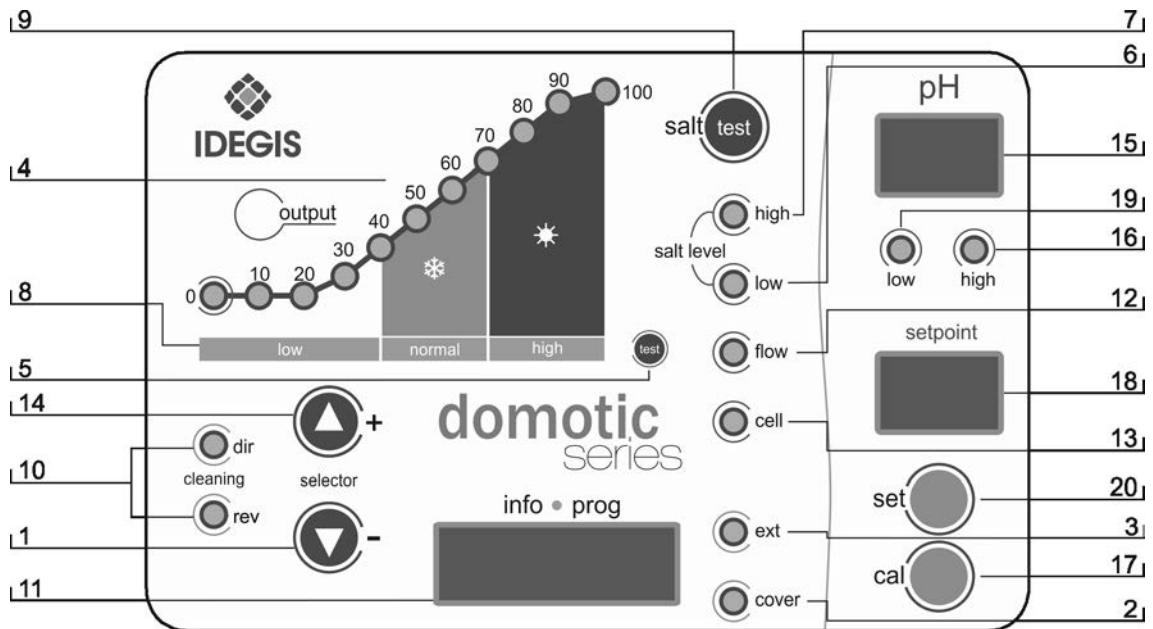


Fig. 16. DOMXX-PH models control panel

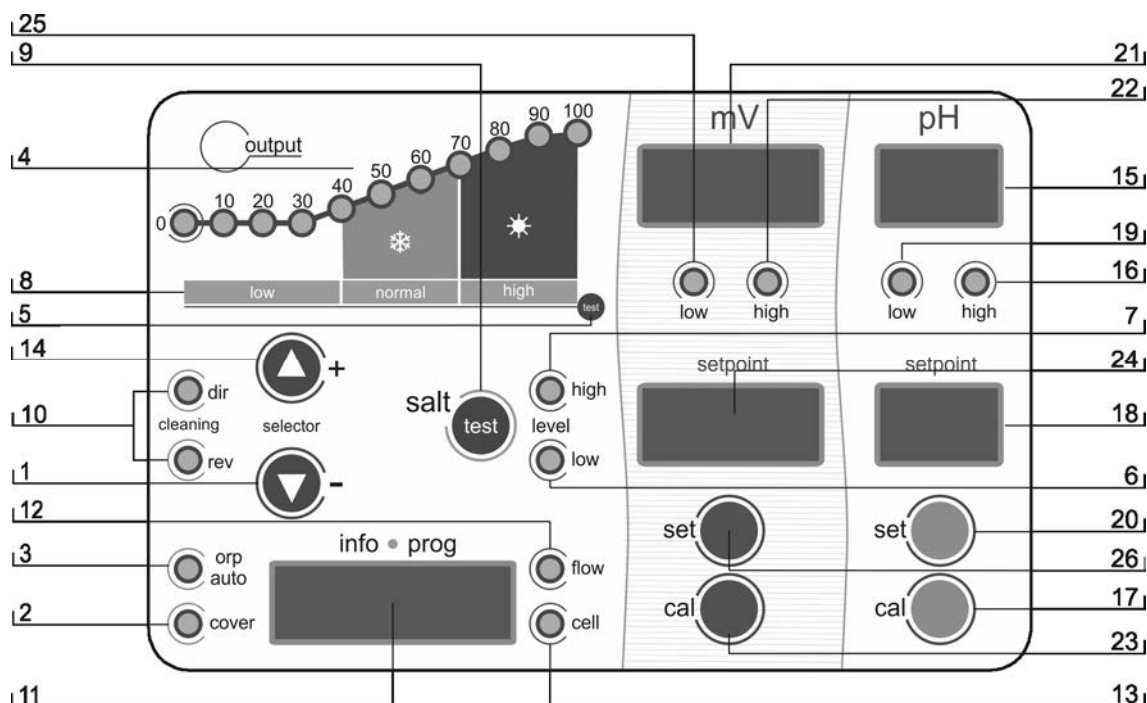


Fig. 16b. DOM-XX PLUS models control panel.

- |     |  |     |  |
|-----|--|-----|--|
| 1.  | Key "▼" (decrease production / programming menu navigation). | 14. | Key "▲" (increase production / programming menu navigation). |
| 2.  | Indicator of activated AUTOMATIC COVER control.              | 15. | Display of water pH.   |
| 3.  | Indicator of activated ORP control (AUTO mode)               | 16. | Indicator of HIGH PH ALARM (> 8.5).                          |
| 4.  | Production scale (%)   | 17. | Key for pH CALIBRATION MODE.                                 |
| 5.  | SALINITY TEST scale.   | 18. | Indicator of PH SETPOINT.                                    |
| 6.  | Indicator of LOW SALINITY.                                   | 19. | Indicator of LOW PH ALARM (< 6.5).                           |
| 7.  | Indicator of HIGH SALINITY.                                  | 20. | Key for PH SETPOINT PROGRAMMING                              |
| 8.  | SALINITY scale (qualitative).                                | 21. | Display of water ORP.  |
| 9.  | Key for "SALINITY TEST".                                     | 22. | Indicator of HIGH ORP ALARM (> 850 mV)                       |
| 10. | SELF-CLEANING indicators (DIRECT / REVERSE) polarity.        | 23. | Key for ORP CALIBRATION MODE                                 |
| 11. | Display of SYSTEM INFORMATION.                               | 24. | Indicator of ORP SETPOINT.                                   |
| 12. | Indicator of FLOW ALARM.                                     | 25. | Indicator of LOW ORP ALARM (< 650 mV)                        |
| 13. | Indicator of ELECTRODE passivation ALARM                     | 26. | Key for ORP SETPOINT PROGRAMMING                             |

Besides basic operations, the DOMOTIC Series electrolysis system has three inputs for voltage-free contacts, enabling the connection of additional external controls. They are located on connector [CN7] of the power card (Fig. 17).

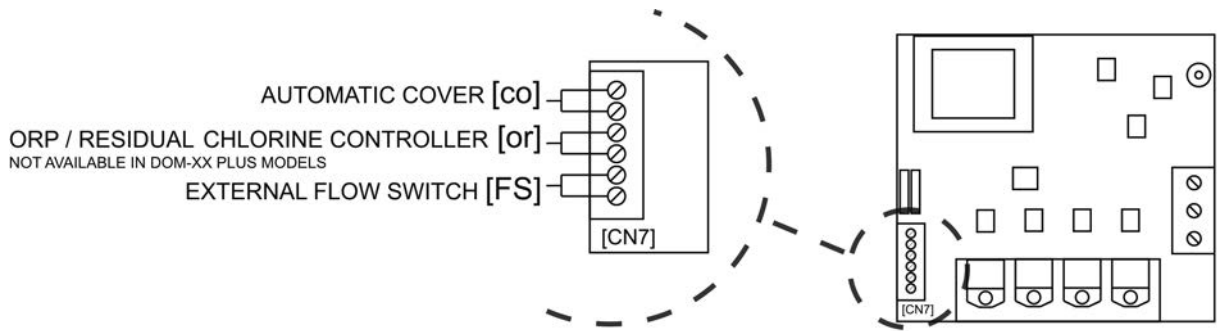


Fig. 17

The logic associated to these three inputs can be programmed during the system configuration process (see point 5.2)

- **[FS] OPTIONAL EXTERNAL FLOW DETECTOR CONTROL** (not included with the equipment): input for potential-free contact. When the contact connected to this input is open (external flow detector at rest), and the [FS] is configured as [FS1c], the electrolysis system switches off due to the flow alarm. Connect the external flow detector wiring to the respective input [FS], placed in the [CN7] connector, on the unit's power card.

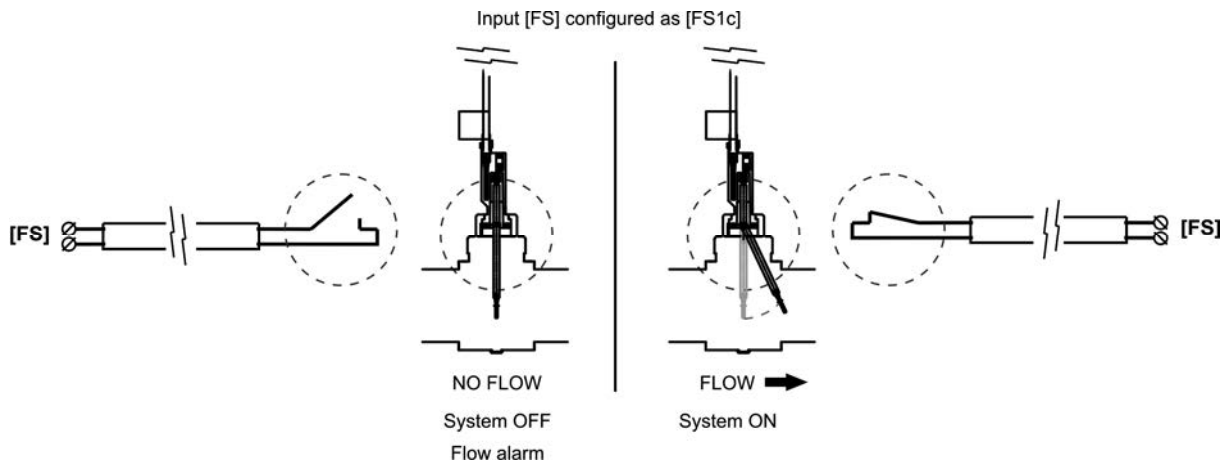


Fig. 18

- **[co] AUTOMATIC COVER CONTROL**: input for potential-free contact. Depending on the status of the contact connected to it on the automatic cover's electric panel, this input enables you to programme a reduction of the equipment's output current to a percentage of its nominal value.

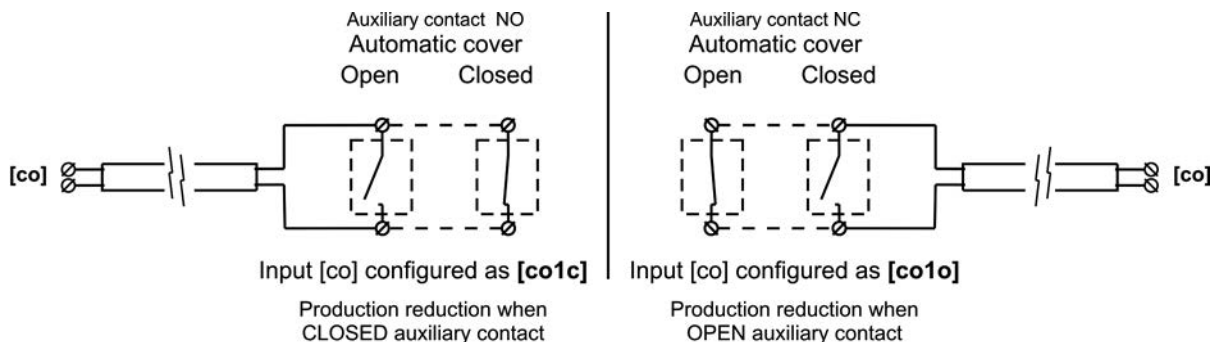


Fig. 19

- **[OR]** **ORP / RESIDUAL CHLORINE control (unavailable in DOMOTIC-XX PLUS models):** input for potential-free contact. This input can be used to install an external controller of the electrolysis system (ORP, RESIDUAL CHLORINE, PHOTOMETER, etc.). To that purpose connect two cables from the potential-free contact, placed in the external controller, to the corresponding input **[or]** placed in the system's control card.

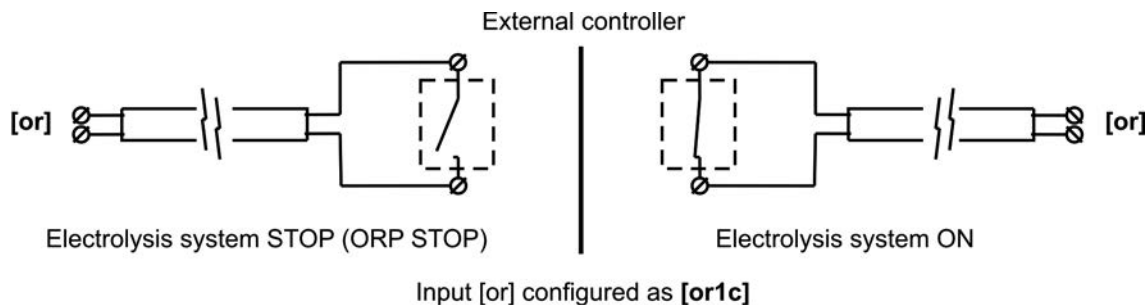


Fig. 20

#### 4.8. Start-up

1. Check that the filter is 100% clean, and ensure that the swimming pool and the installation do not contain copper, iron or algae. Ensure that any heating equipment on the pool is suitable for use in salt water.
2. Ensure that the swimming pool water is balanced, because like that the chlorine produced is used more efficiently and effectively, and ensures that the life of the electrodes is prolonged. Water should be maintained within the parameters shown below.
  - a) pH must be in the range 7.2-7.6
  - b) Total alkalinity must be in the range 60-120 ppm
3. Although the DOMOTIC Series system can operate within a salinity range of 4 - 6 g/l, the minimum recommended level of salt, 5 g/l, should be maintained by adding 5 kg per m<sup>3</sup> of water if the water did not previously contain salt. Always use common salt (sodium chloride), without additives like iodides, that is "apt for human consumption". Never add the salt through the electrolysis cell. Add it directly to the swimming pool or into the balance tank.
4. When adding the salt, and in case the swimming pool is going to be used immediately, carry out a treatment with chlorine. An initial dose of 2 g/m<sup>3</sup> of trichloroisocyanuric acid may be added.
5. Prior to starting up the salt chlorinator, disconnect the power supply to the salt chlorinator and run the pump for 24 hours to ensure that the salt is completely dissolved.
6. Next, reconnect the power supply and turn on the salt chlorinator, locating the production level so that free chlorine concentration stays within the recommended range (0.5 - 1.5 ppm).

**NOTE:** in order to establish the free chlorine level you will need to use a test kit.

7. In outdoor swimming pools it is advisable to maintain a level of 25-30 g/m<sup>3</sup> of chlorine stabiliser (cyanuric acid) in the pool. A level of 75 ppm should be never exceeded. This will help to stop the chlorine that is in the water from being destroyed by the sun.

5. OPERATION:



















5.1. **System on stand-by**

The system goes into “STAND-BY” when the “▼” [1] key is pressed until the “0%” light blinks. When this occurs, there is no production in the electrolysis cell.

Fig. 21

5.2. **System configuration**

The DOMOTIC Series system can be reconfigured through a menu accessed from the control panel. The system has to be switched off, as described in point 5.1, in order to access this menu. Once the system has been switched off, press the “▼” [1] key for a few seconds until the system information screen [11] displays “CONF”. To enable selection of each menu option, keep the “SALT TEST” [9] key pressed for approximately 1 second. Select the desired parameter using the “▼” [1] / “▲” [14] keys and validate by pressing the “SALT TEST” [9] key for one second again (see Fig. 23). The configuration process enables you to establish the following operative parameters:

|  |   |
|--|---|
| <b>MODEL</b>   | <br><br><br> |
|  | <p>domotic 12      domotic 24      domotic 32      domotic 42</p>   |
| <b>SOFTWARE VERSION</b>                                |    |
|  | <p>Shows software version (two digits)</p>  |
| <b>POLARITY SWITCH</b>                                 | <br><br>   |
|  | <p>Switch every 2 hours <sup>(2)</sup>      Switch every 3 hours      Switch every 2 minutes <sup>(1)</sup></p>   |
| <b>OUTPUT LEVEL CONTROL WHEN CLOSED COVER</b>          | <p><sup>(2)</sup></p> <p>System may be configured to provide an output to cell in the range 10 ... 90% of its nominal capacity when the pool cover is closed.</p>   |
| <b>COVER CONTROL INPUT ACTIVATION</b>                  | <br>  |
|  | <p>Deactivated      Activated input when closed contact <sup>(2)</sup>      Activated input when open contact</p>   |
| <b>ORP/RESIDUAL CHLORINE CONTROL INPUT ACTIVATION</b>  | <br>  |
|  | <p>Deactivated (MANUAL) <sup>(2)</sup>      Activated electrolysis system when closed contact (AUTO) <sup>(3)</sup></p>   |
| <b>GAS DETECTOR ACTIVATION</b>                         | <br>  |
|  | <p>Deactivated      Activated electrolysis system when flooded detector <sup>(2)</sup></p>  |
| <b>EXTERNAL FLOW DETECTOR (FLOW SWITCH) ACTIVATION</b> | <br>  |
|  | <p>Deactivated <sup>(2)</sup>      Activated electrolysis system when closed contact</p>  |

<sup>(1)</sup> **WARNING:** only use this mode for check tasks, for short periods of time, as it could damage the electrodes. This mode is cancelled when the system is switched off.  
<sup>(2)</sup> Factory defaults.  
<sup>(3)</sup> Factory default value in DOM-XX PLUS systems.

Fig. 22



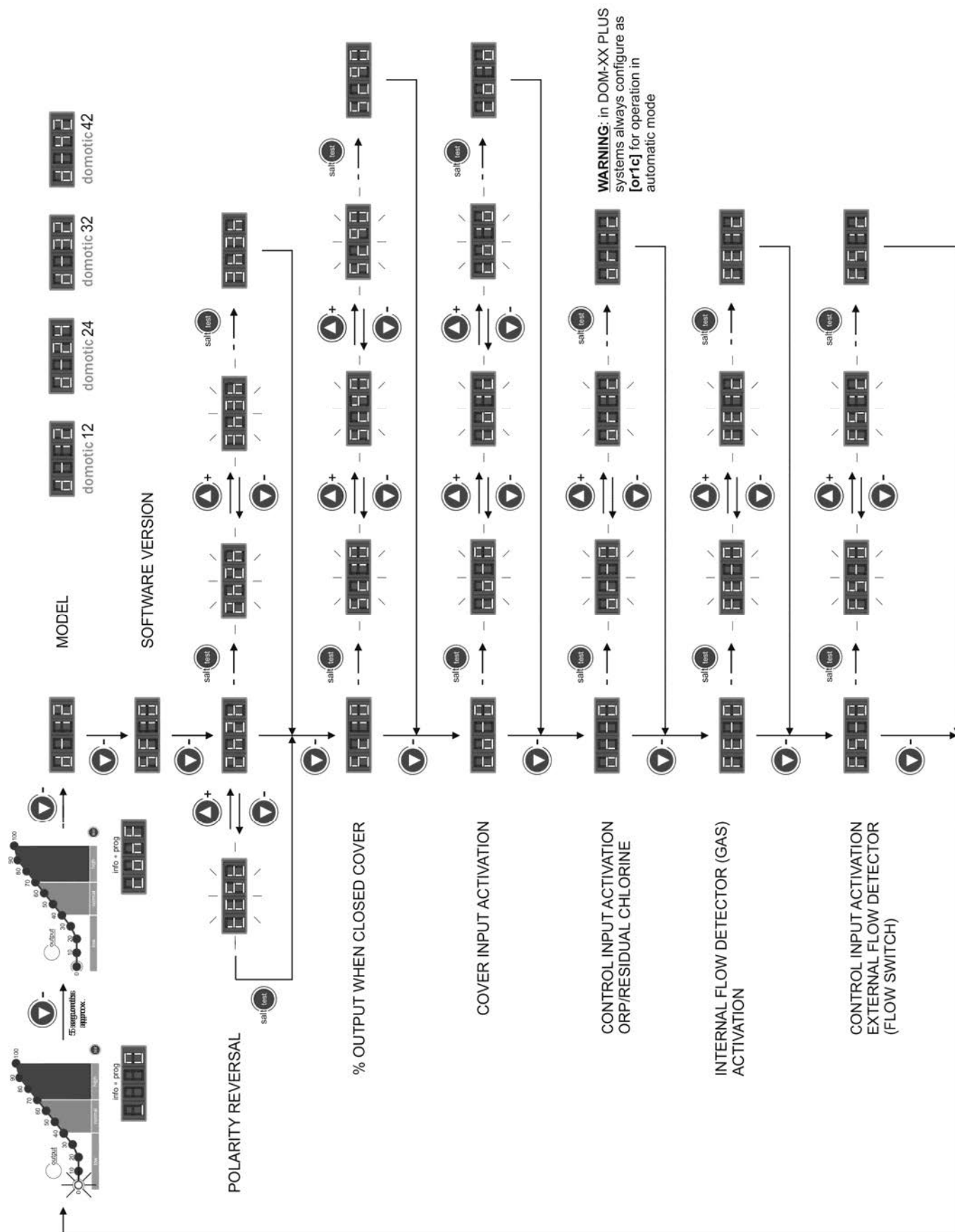


Fig. 23 System programming flow-sheet.

### 5.3. Production level selection

To select the desired production level, press the “▼” [1] / “▲” [14] keys until the production level light blinks. The system information screen [11] will display the value of the production scale light [4]. The system will set its production to the desired level after a few seconds.

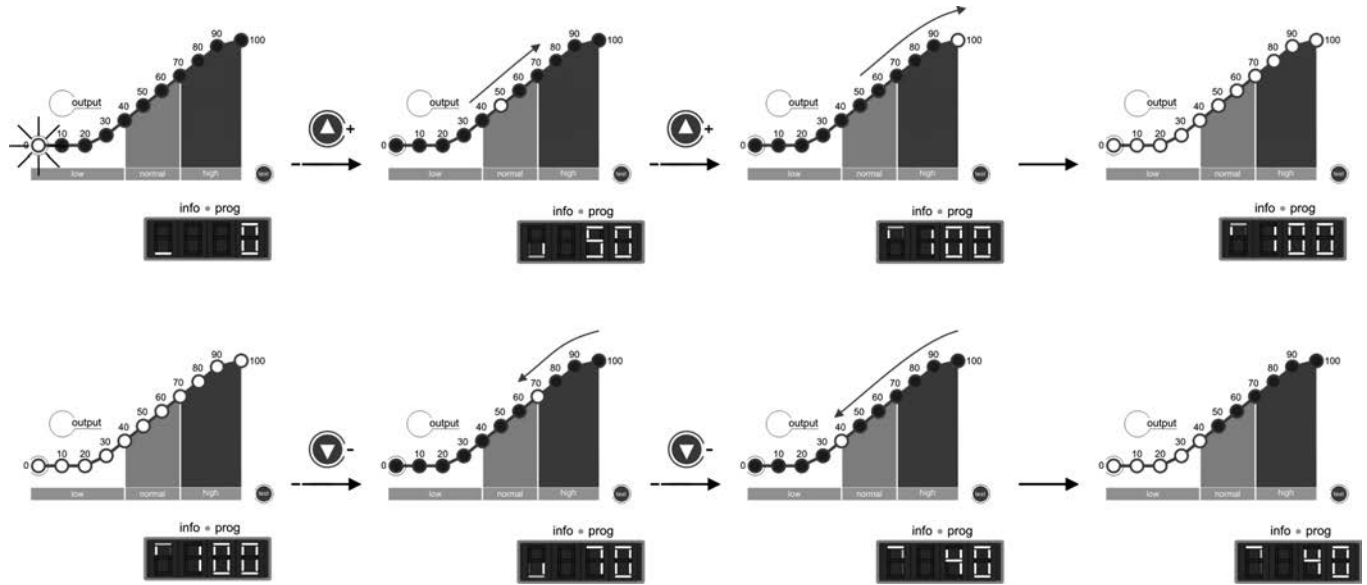


Fig. 24

In normal conditions, the production value [4] should be the same as the programmed value. However, if the salt level in the water is outside the permitted range (“HIGH SALT” [7] or “LOW SALT” [6] alarms on), or there is a problem in the electrolysis cell (“ELECTRODES” [13] alarm on), the production value [4] could be lower than the programmed and displayed value [11].



**WINTER Mode:** during periods of low water temperature select a production level [1] in the 50-60% range.

### 5.4. Salinity test

The DOMOTIC Series systems have an integrated system to detect the salinity level of pool water. To run the test, press the “SALT TEST” [9] key. During the test, the production light will range from 20%-80% of the salinity scale [5], alternately displaying “SALT” and “TEST” on the system information screen [11]. Once the test is completed, the light will blink for a few seconds on the scale [5] on the detected salinity value (see Fig. 25). The equipment will return to normal operating mode after a few seconds.

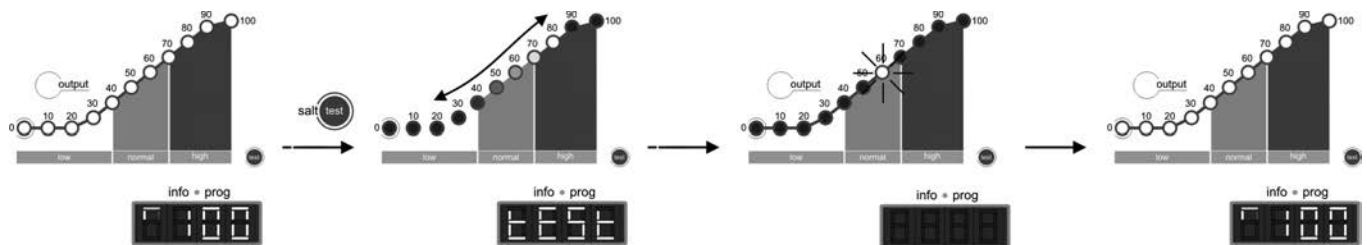


Fig. 25

### WARNING:

1. The system might show lower than actual salt levels if the temperature falls beneath 20°C.
2. Salinity test does not work when the system is stopped by ORP control or flow alarm.

### 5.5. Integrated pH controller (DOM-XXPH)

The integrated pH / ORP controller is supplied with a default factory calibration and programmed with the following parameters:

SETPOINT pH="7.2" / ORP="700 mV"

**IMPORTANT:** In order to have a correct regulation of the pH value, the Total Alkalinity of the pool water must be maintained in the range 60-120 ppm CaCO<sub>3</sub>. Use a pool water test kit to check the Total Alkalinity and adjust manually if necessary.

#### 5.5.1. CONNECTION OF THE PH / ORP SENSORS (models DOM-XX PH and DOM-XX PLUS)

Connect the pH / ORP sensor provided with the unit to the corresponding BNC connectors located in the unit's base (Fig. 26).

#### 5.5.2. CONNECTION OF THE DOSAGE PUMP

The DOMOTIC Series systems (DOM-XXPH and DOM-XX PLUS) have a connector on their base for connecting a dosage pump to control the pH of the water in the pool. The dosage pump can be connected through the CEE22 connector supplied for that purpose with the equipment (Fig. 26).

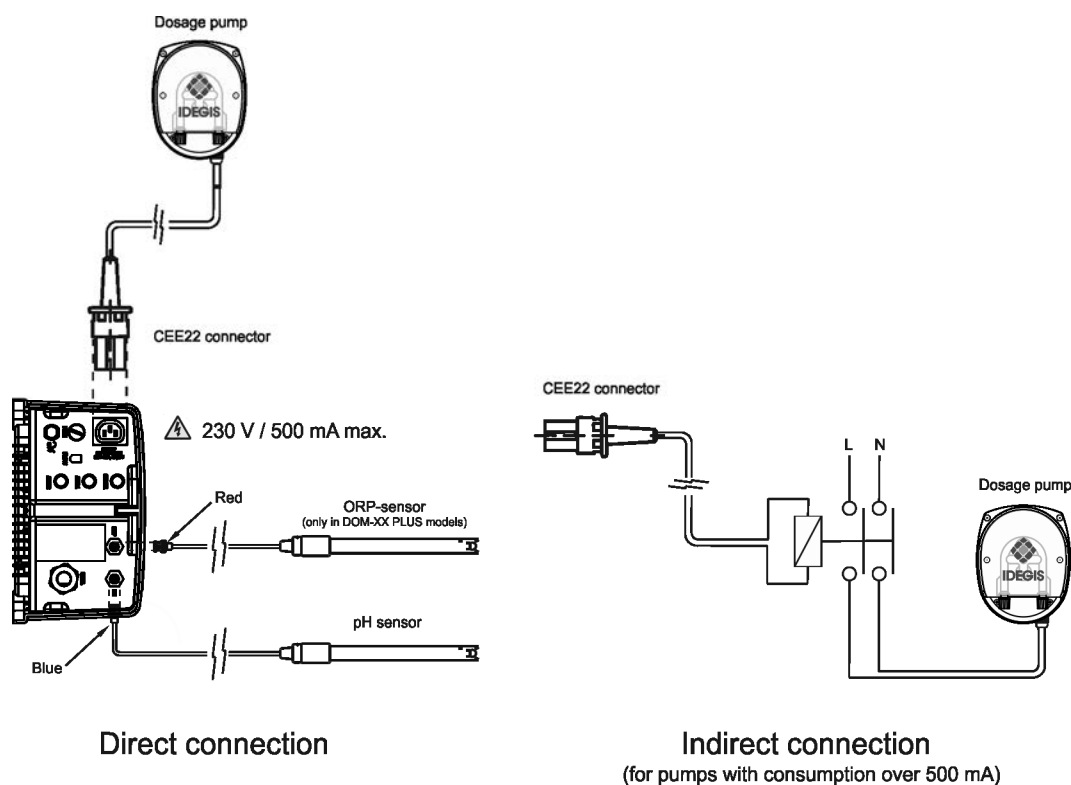


Fig. 26

#### 5.5.3. PH SETPOINT PROGRAMMING

Keep the "SET" [20] key pressed until the screen [18] displays the desired pH value within the 7.0 - 7.8 range. Release after selection.

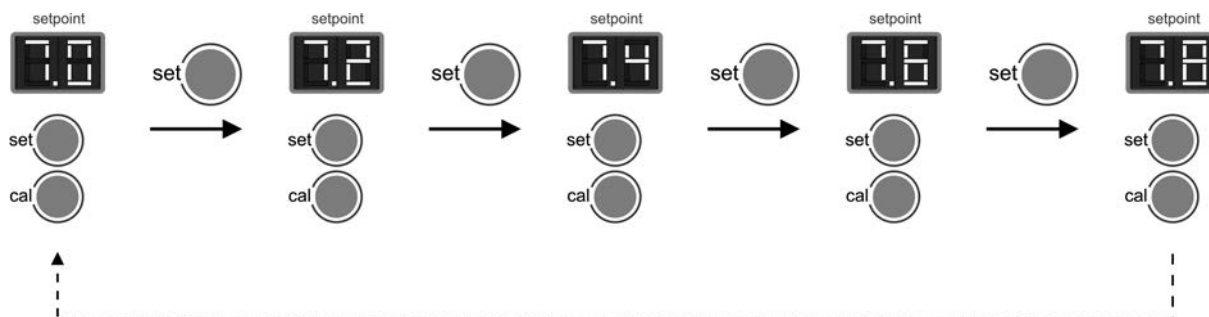


Fig. 27

5.5.4. ORP SETPOINT PROGRAMMING (only in models DOM-XX PLUS)

Keep the "SET" [26] key pressed until the light displays the desired ORP value within the 600 - 850 mV range. Release after selection.

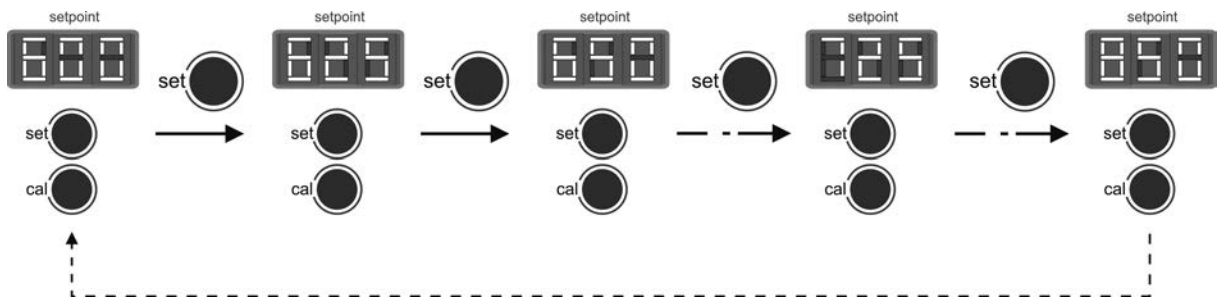


Fig. 27b

5.5.5. SAFETY STOP CONFIGURATION OF THE DOSAGE PUMP (PUMP-STOP FUNCTION)

The integrated pH controller has a security system (PUMP-STOP FUNCTION) acting on the dosage pump which allows to avoid the following situations:

- Damages caused by the dry operation of pump (depleted pH-minus product).
- Over-dosage of pH-minus product (damaged or aged sensor).
- PH regulation problems due to high alkalinity in the water (newly filled pool, high carbonate levels).

When the PUMP-STOP FUNCTION is enabled (factory default), the system stops the dosage pump after a programmed time without having reached the pH setpoint.

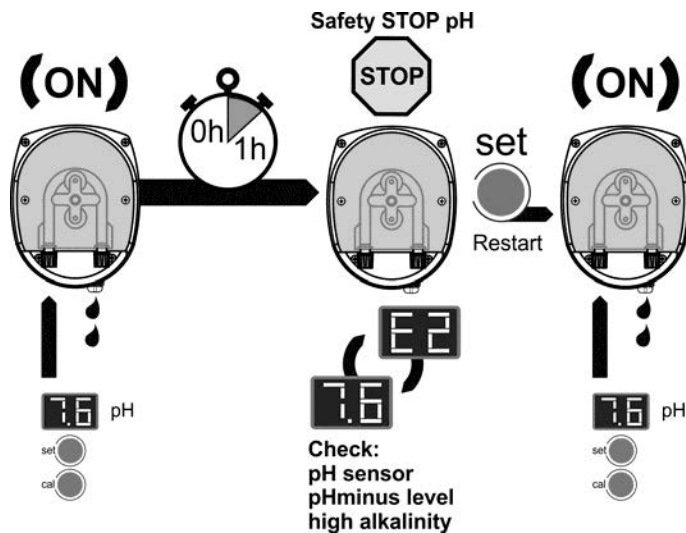


Fig. 27c.

The PUMP-STOP FUNCTION is factory set to 60 minutes. To change this value, follow the next procedure.

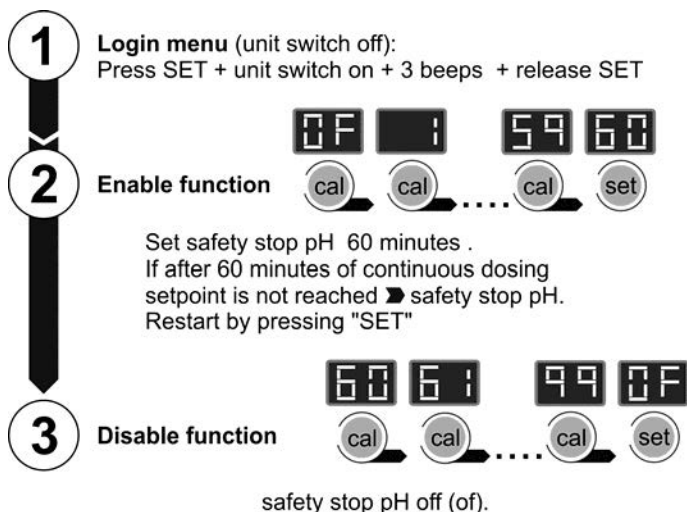


Fig. 27d.

5.6. Alarms

• **HIGH SALT LEVEL**

If too much salt has been added, the production level will automatically fall beneath the selected level. The "HIGH SALT" [7] light will stay on. In this case, empty part of the pool (10%, for instance) and add fresh water to reduce the salt concentration. To precisely measure the salt level, we recommend the use of a portable salinity-temperature meter

• **LOW SALT LEVEL**

If there is less than the recommended salt content in the pool, the selected output level cannot be reached. The "LOW SALT" [6] light will stay on. In this case, measure the salt level in the water and add the required amount of salt. The common salt (NaCl) used for electrolysis should not contain additives (anti-caking agents, iodine) and must be suitable for human consumption. The system may indicate a low salt level if the temperature falls beneath 20°C (68 °F). To precisely measure the salt level, we recommend the use of a portable salinity-temperature meter.

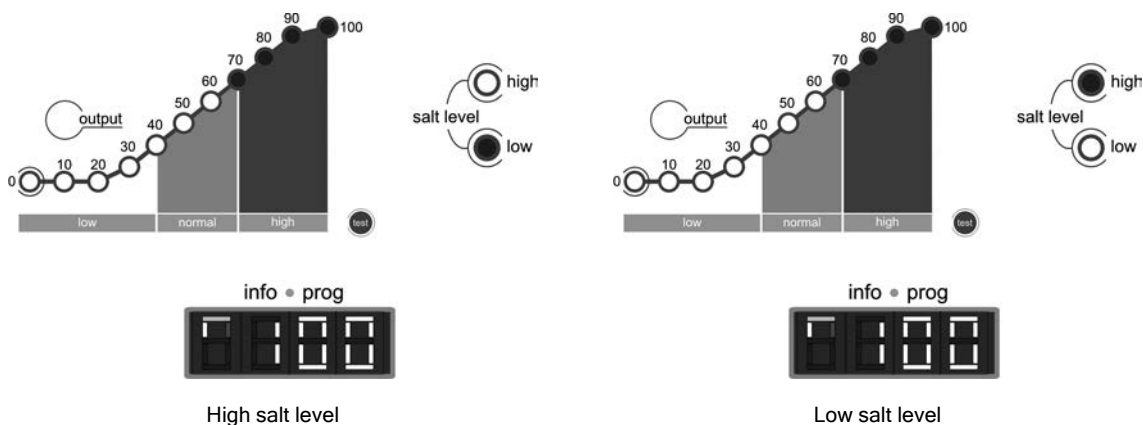
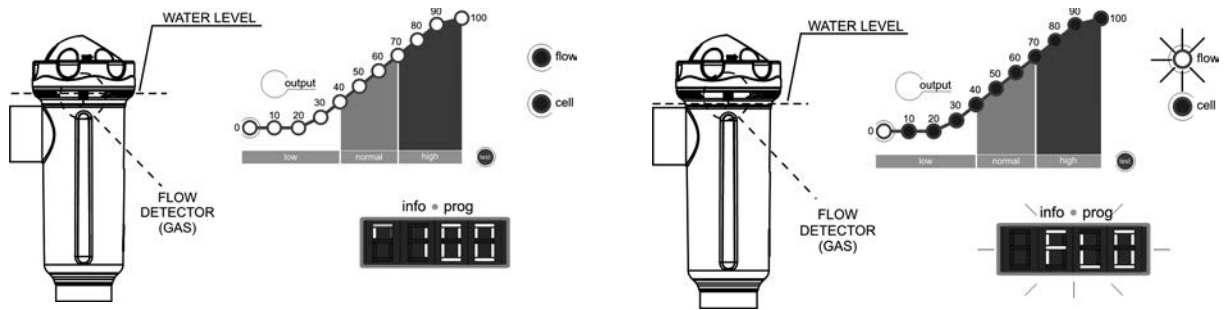


Fig. 28

- **WATER LEVEL IN CELL/FLOW DETECTOR (GAS)**

If an air or gas bubble forms at any time at the top of the electrolysis cell and the FLOW DETECTOR is not submerged, the system will automatically switch off production, with the "FLOW" [12] light blinking and "FLO" displayed on the system information screen [11]. The system automatically resets when water flows through the cell again or the bubble disappears.



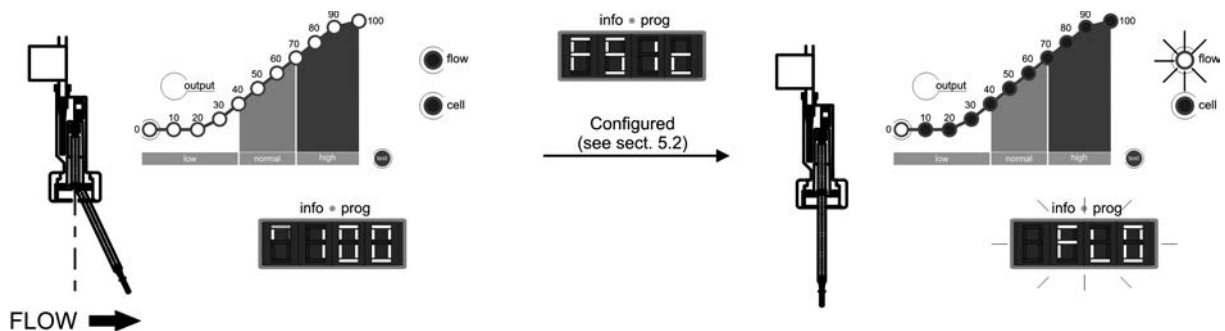
1. Submerged gas detector. System running.

2. Gas detected. Insufficient flow. System off.

Fig. 29

- **OPTIONAL EXTERNAL FLOW DETECTOR / FLOW SWITCH (not included with the equipment)**

During the system configuration process (point 5.2), the input for the external flow switch is activated (factory-programmed default value), the system will automatically switch off production, with the "FLOW" [12] light blinking, and "FLO" displayed on the system information screen [11]. The system automatically resets whenever water starts to flow through the flow switch again.



1. Activated flow detector (contact closed). System running.

2. Flow detector at rest (contact open). System off.

Fig. 30

- **ELECTRODES**

The DOMOTIC Series system has a light indicating malfunction of the electrolysis cell electrodes [13]. This usually occurs at the end of the electrodes 'useful life, when they lose their power. However, although this is a self-cleaning system, this malfunction could also be due to excessive scaling on the electrodes when the system operates with hard water with a high pH value.

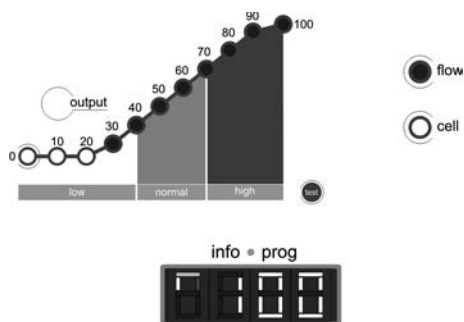


Fig. 31A

- **OPERATING TIME (firmware version 3.3.0 and subsequent versions)**

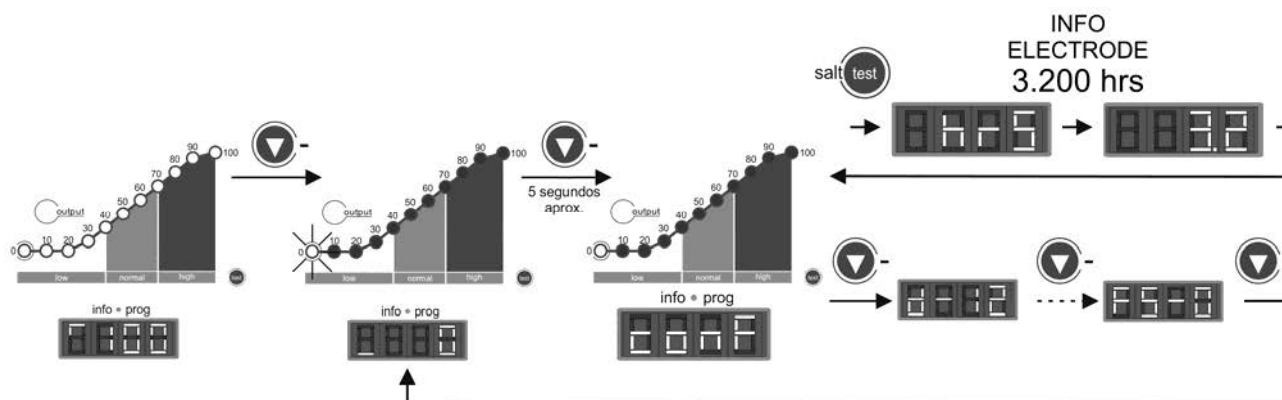


Fig. 31B

- **PH / ORP OUT OF RANGE (only in models DOM-XX PH and DOM-XX PLUS)**

The integrated pH/ORP control system has two ALARM lights which come on whenever a pH value of less than 6.5 "LOW" [19] or more than 8.5 "HIGH" [16] is detected, or ORP falls outside the 600 mV "LOW" [25] - 850 mV "HIGH" [22] range. When the regulator detects an active pH alarm, it opens the control output of the dosage pump (pH).

## 6. MAINTENANCE:

### 6.1. Maintenance of the electrolysis cell

The electrolysis cell must be kept in suitable conditions to ensure a long lifetime. This salt chlorination unit has an automatic electrode cleaning system that helps to prevent scale build-up on the electrode surface. If the salt chlorination system is operated in accordance with these instructions, and in particular if the pool water balance is kept within the recommended parameters, it should not be necessary to manually clean the electrodes. However, if the pool water and the salt chlorination system are not maintained in line with these instructions then it may be necessary to manually clean the electrodes following the procedure outlined below:

1. Cut off the 230 Vac unit's supply.
2. Unscrew the closing nut located at the end where the electrodes are located, and remove the electrode package.
3. Use diluted hydrochloric acid (a part of commercial acid in 10 parts of water), submerging the electrode package in the prepared solution for no more than 10 minutes.
4. NEVER SCRAPE OR SWEEP THE CELL OR THE ELECTRODES.

The electrodes of a salt chlorination system comprise of a titanium sheet coated with a layer of noble metal oxides. The electrolysis processes that take place on their surface produce a progressive wearing down - the electrodes do have a finite life. In order to optimise electrode lifetime, please consider the following aspects:

1. Although all DOMOTIC series salt electrolysis units are SELF-CLEANING, a prolonged operation of the system at pH values over 7.6 in waters of high hardness can produce scale formation on the surface of the electrodes. Scaling on the electrodes surface will progressively deteriorate the coating, causing a decrease of lifetime.
2. Manually cleaning/washing the electrodes (as described above) will shorten their life.
3. Prolonged operation of the system at salinities lower than 3 g/l (3000 ppm) will cause a premature deterioration of the electrodes.
4. Frequent use of copper based algacides will promote the formation of copper deposits on the electrodes, progressively damaging the coating. Remember that chlorine is the best algicide.

### 6.2. Calibration of the pH sensor (only in DOM-XX PH and DOM-XX PLUS models)

The integrated pH-controller has two calibration modes of the pH-sensor: "FAST" and "STANDARD". We recommend carrying out it at least once a month during the period of use of the swimming pool.

#### 6.2.1. "FAST" MODE

"FAST" MODE allows the calibration of the pH-sensor when there are small reading deviations **with no need to extract the sensor from the installation or to use calibration solutions**.

#### PROCEDURE:

1. Be sure the point of insertion of the pH-sensor is flooded, and the pump is in recirculation.
2. Using a pH-test kit, measure the water pH of the swimming pool.
3. Press the "CAL" [17] key for approx. 5 seconds until the equipment beeps and release the key. The pH [18], screen will blink "7.0".
4. Keep the "SET" [20] key pressed until the pH-value previously measured in the water with the pH-test kit appears. Once reached, loosen and press "CAL" [17] key. If no error has been detected, the system will have been calibrated.

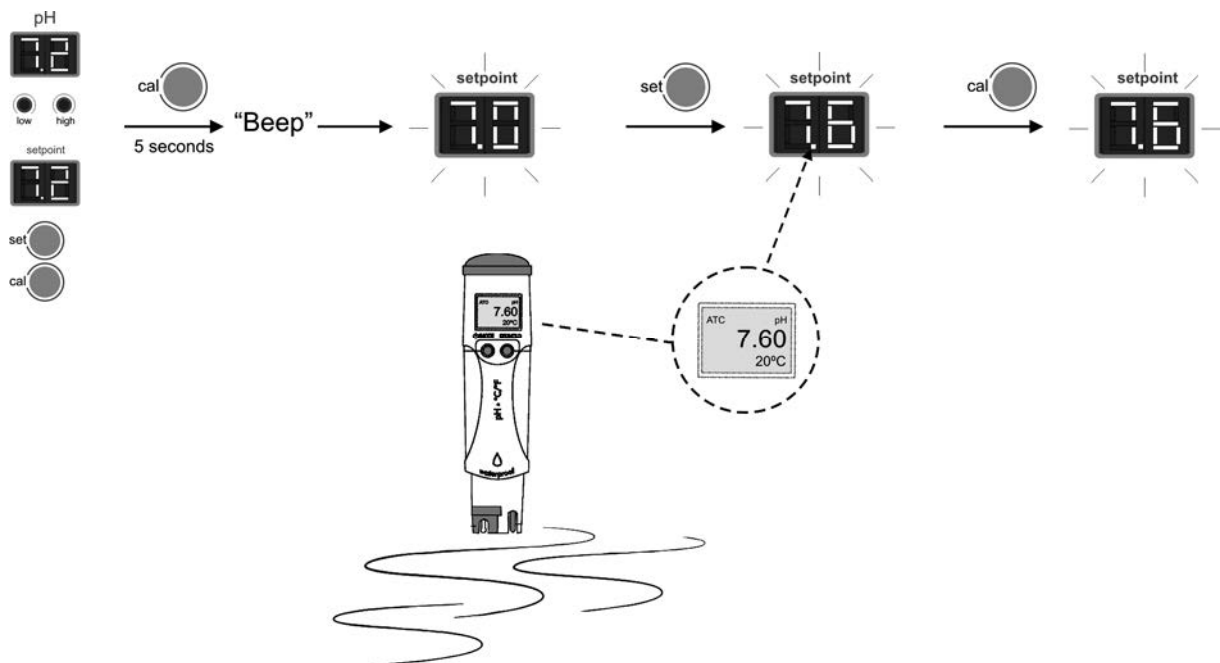


Fig. 32



### 6.2.2. "STANDARD" MODE

"STANDARD" MODE allows the precise calibration of the pH-sensor using two calibration solutions of pH 7.0 and 4.0, however this method requires that the **pH-sensor is removed from the installation**.

#### PROCEDURE:

**IMPORTANT:** before closing the by-pass valves, stop the system from control panel (see Section 5.1).

1. Extract the pH-sensor from the holder and wash it with tap water.



Fig. 33

2. Press the "CAL" [17] key the equipment beeps and without releasing the key, press "SET" [20] for a few seconds until the pH screen [15] displays a blinking "7.0".
3. Gently shake the sensor to remove any possible drops of water and insert in the standard pH=7.0 solution (green). Gently shake for a few seconds and press "CAL" [17]. Once stabilised, the screen [15] will display a blinking "4.0".

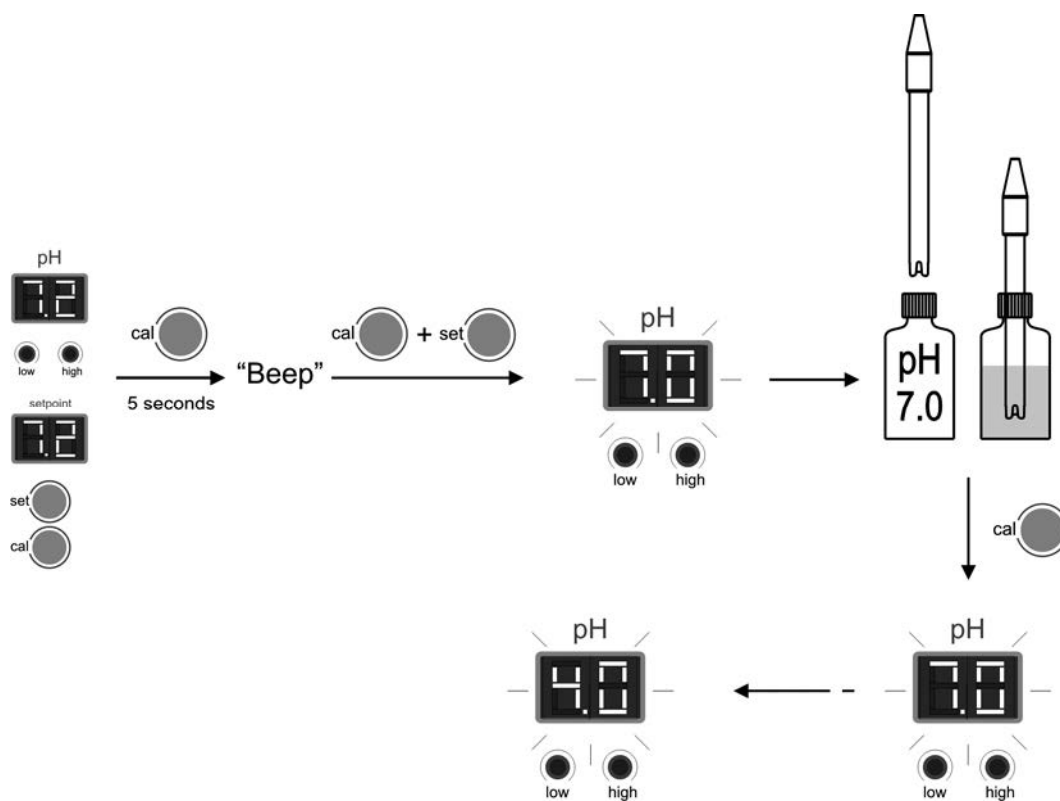


Fig. 34

4. Remove the sensor from the calibration solution and rinse it with tap water.
5. Shake the sensor smoothly so that any drops of water that may be adhered to the plastic body are removed and introduce it in the calibration solution pH=4.0 (red colour). Shake smoothly for a few seconds and press "CAL" [17] key. Once the measurement has stabilised, the pH-controller will automatically leave the calibration mode and will be operative.

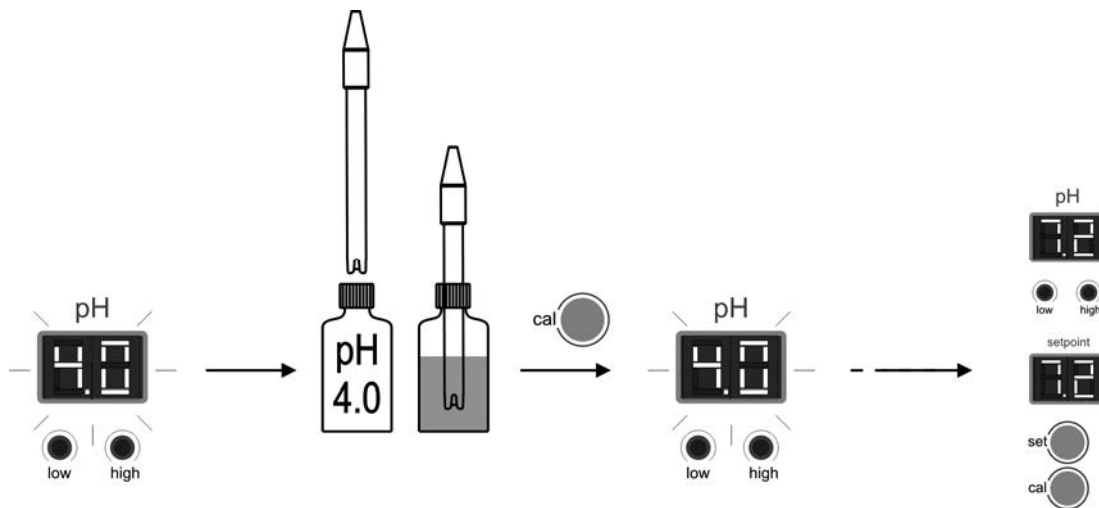


Fig. 35

**ERROR MESSAGES:**



If the calibration process is interrupted for whatever reason, the pH-controller will automatically leave the calibration mode if the intervention of the user is not detected in a few seconds. In this case, "E1" indication in the display [15] will appear.



If the pH value during the calibration process is very different from the expected one, (e.g., defective sensor, etc.), display [15] will indicate "E2", not allowing calibration.



If the pH measure is unstable during the calibration process, code "E3" will appear in display [15]. In addition, the pH-sensor calibration will not be allowed.

**6.3. Calibration of the ORP sensor (only in DOM-XX PLUS models)**

The calibration frequency of the controller will be determined in each particular application. Nevertheless, we recommend to make it at least, once a month during the use period of the pool. The ORP controller has an automatic calibration system for the ORP sensors based on the utilisation of a 470 mV reference solution.

**PROCEDURE:**

**IMPORTANT:** before closing the by-pass valves, stop system from control panel (see Section 5.1).

1. Extract the ORP sensor from the holder and wash it with tap water.

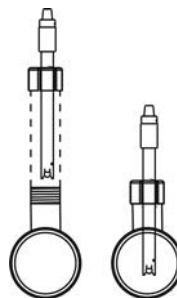


Fig. 36

2. Press "CAL" [23] key for a few seconds, until the ORP display [24] blinks and indicates "470".
3. Shake the sensor smoothly so that any water drops that may be adhered to the plastic body are removed and introduce it to the calibration solution (470 mV). Shake smoothly for a few seconds and press "CAL" [23] key. If the process has concluded satisfactorily, a long "beep" will be listened and the controller will be calibrated and ready to operate.

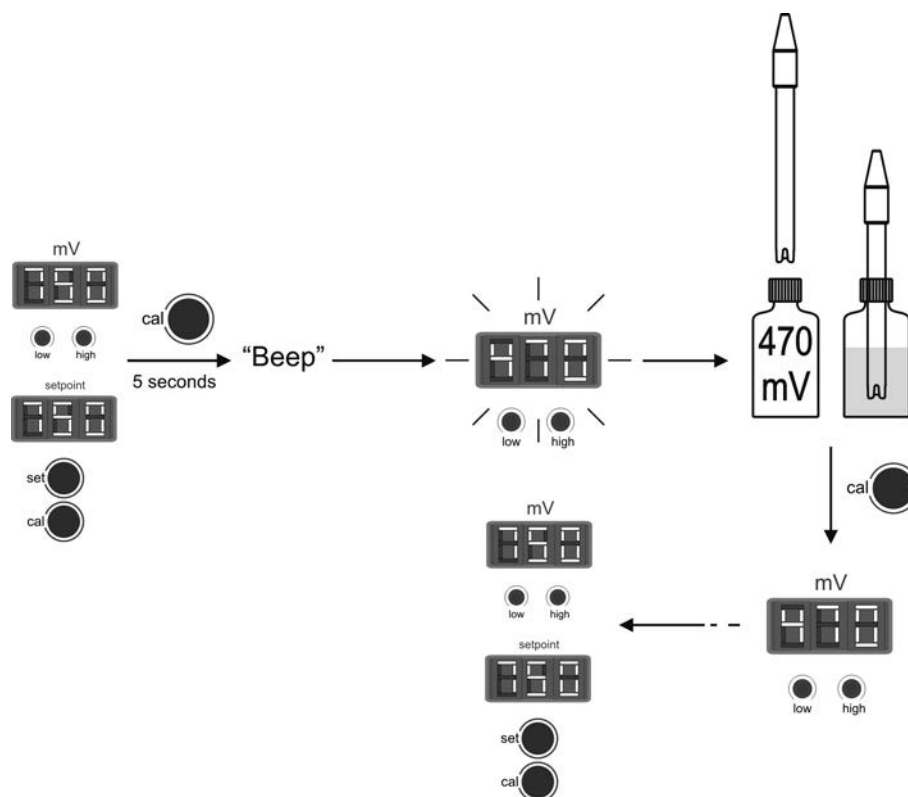
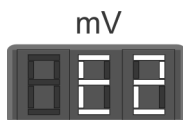


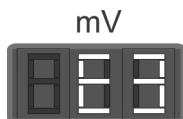
Fig. 37

**ERROR MESSAGES:**

If the calibration process is interrupted for whatever reason, the ORP controller will automatically leave the calibration mode if the intervention of the user is not detected in a few seconds. In this case, "E1" indication in display [21] will appear.



If the ORP value during the calibration process is very different from the expected one, (e.g., defective sensor, etc.), display [21] will indicate "E2", not allowing calibration.



If the ORP measure is unstable during the calibration process, code "E3" will appear in display [21]. In addition, the sensor calibration will not be allowed.

**6.4. pH / ORP sensors maintenance**

1. Ensure that the sensor membrane remains moist all the time.
2. If the sensor is not going to be used for a long period, keep it submerged in a pH=4.0 conservation solution.
3. To clean the sensor, avoid the use of abrasive materials that can scratch the sensor surface.
4. **The pH/ORP sensor is a consumable part and will need to be replaced over a period of time.**

**7. TROUBLESHOOTING:** \_\_\_\_\_

Any action required to solve possible problems in the equipment should always be performed with the equipment disconnected from the mains. Any problem not indicated in the following list should be solved by an IDEGIS technician.

| PROBLEM   | SOLUTION  |
|---|---|
| <p><b>Production indicator always indicates "0" at all production levels</b></p>      | <p>Check electrodes.<br/>Verify connections between power supply and the electrolysis cell.<br/>Check salt concentration.</p>   |
| <p><b>The power supply is not turned on.</b></p>                                      | <p>Check the system is properly connected to 230 V/50-60 Hz in the command box of the pump.<br/>Check the state of the fuse located at the bottom of the power supply.</p>  |
| <p><b>Free chlorine levels in the water are very low.</b></p>                         | <p>Check that the system produces chlorine in pool jets.<br/>Verify that the water Chemicals parameters (pH, combined chlorine, isocyanuric acid, etc.) are correct.<br/>Increase filtering time.<br/>Add chlorine stabilizer (cyanuric acid) until a concentration of 25 - 30 g/m<sup>3</sup> is achieved.</p>   |
| <p><b>pH/ORP controller always show extreme values, or readings are unstable.</b></p> | <p>The cable of the pH/ORP sensor is damaged. Clean the contacts or replace the cable.<br/>The pH/ORP sensor has an air bubble in the membrane area. Hold the sensor in vertical position. Shake it lightly until the bubble moves up.<br/>Sensor fault. The connection cable is too long or it is too near to sources of electrical interference (motors, etc.). Replace the sensor. Locate the unit nearer to the sensor.</p> |
| <p><b>Impossible calibration of the pH/ORP sensor</b></p>                             | <p>Polluted or expired calibration solution.<br/>Blocked sensor membrane. Check the membrane is not damaged. Clean the sensor with diluted acid in water, shaking it lightly.<br/>Sensor fault. Replace the sensor.</p>   |
| <p><b>Slow response of the pH/ORP sensor</b></p>                                      | <p>Sensor electrostatically charged. During the calibration phase, the sensors should not be dried with paper or cloth. Clean it exclusively with water and shake it lightly.<br/>Insufficient renovation of the analyzed water (no flow through the sample point). Ensure that the tip of the sensor is submerged in the water at the sample point, and that no air bubbles are present.</p>                                   |

## 8. TECHNICAL CHARACTERISTICS:

**TECHNICAL SPECIFICATIONS:****Standard working voltage**

230V AC - 50/60 Hz.  
 Cable: 3 x 1,0 mm<sup>2</sup>, leng. 2 m.  
 Domotic Series 12 0.36 A  
 Domotic Series 24 0.72 A  
 Domotic Series 32 0.89 A  
 Domotic Series 42 0.89 A

**Fuse**

Domotic Series 12 2A T (5x20 mm)  
 Domotic Series 24 3.15A T (5x20 mm)  
 Domotic Series 32 4A T (5x20 mm)  
 Domotic Series 42 4A T (5x20 mm)

**Output voltage**

8-9 V DC (24 V DC DOM-40)  
 Cable 3 x 4 mm<sup>2</sup>, leng. 2 m.  
 Domotic Series 12 12 A (2x6 A)  
 Domotic Series 24 24 A (2x12 A)  
 Domotic Series 32 32 A (2x16 A)  
 Domotic Series 42 42 A (6x7 A)

**Production**

Domotic Series 12 10 - 12 g./h.  
 Domotic Series 24 20 - 24 g./h.  
 Domotic Series 32 25 - 32 g./h.  
 Domotic Series 42 34 - 42 g./h.

**Minimum recirculation flow**

Domotic Series 12 2 m<sup>3</sup>/h.  
 Domotic Series 24 4 m<sup>3</sup>/h.  
 Domotic Series 32 6 m<sup>3</sup>/h.  
 Domotic Series 42 8 m<sup>3</sup>/h.

**Electrode number**

Domotic Series 12 5  
 Domotic Series 24 7  
 Domotic Series 32 7  
 Domotic Series 42 13

**Net weight (packaging included)**

Domotic Series 12 11 Kg.  
 Domotic Series 24 13 Kg.  
 Domotic Series 32 15 Kg.  
 Domotic Series 42 17 Kg.

**GENERAL FEATURES:****Control system**

- Microprocessor.
- Membrane keypad with control keys and operation indication leds.
- Control I/O: 3 inputs (potential-free contact type) for monitoring the external flow switch, the state of the automatic cover and ORP/residual chlorine controller.
- Cell output: production control (11 discrete levels). Integrated pH controller (only DOM-XX PH and DOM-XX PLUS).
- Integrated ORP controller. (only in DOM-XX PLUS models).

**Self-cleaning**

Automatic polarity switch

**Working temperature**

From 0 C (32°F) to +40°C (104°F)  
 Cooling: natural convection

**Material**

Power supply / wall terminal  
 o ABS  
 Electrolysis cell and sensor-holder  
 o Transparent methacrylate

**pH sensor (DOM-XXPH and DOM-XX PLUS)**

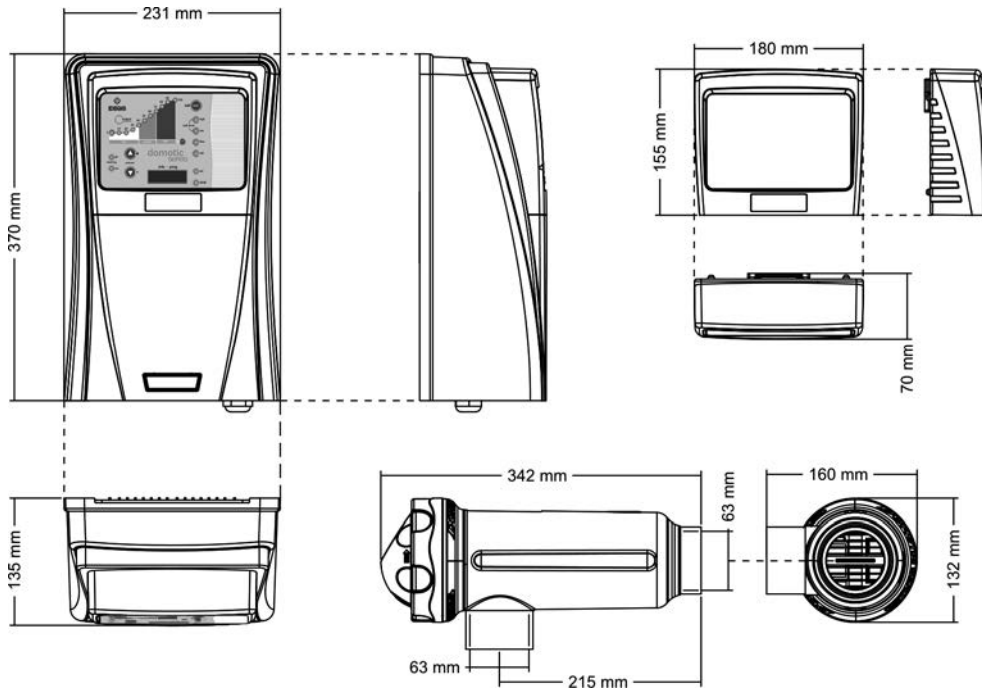
Body: plastic (blue)  
 Range 0 - 12 pH  
 Solid electrolyte

**ORP sensor (DOM-XX PLUS models)**

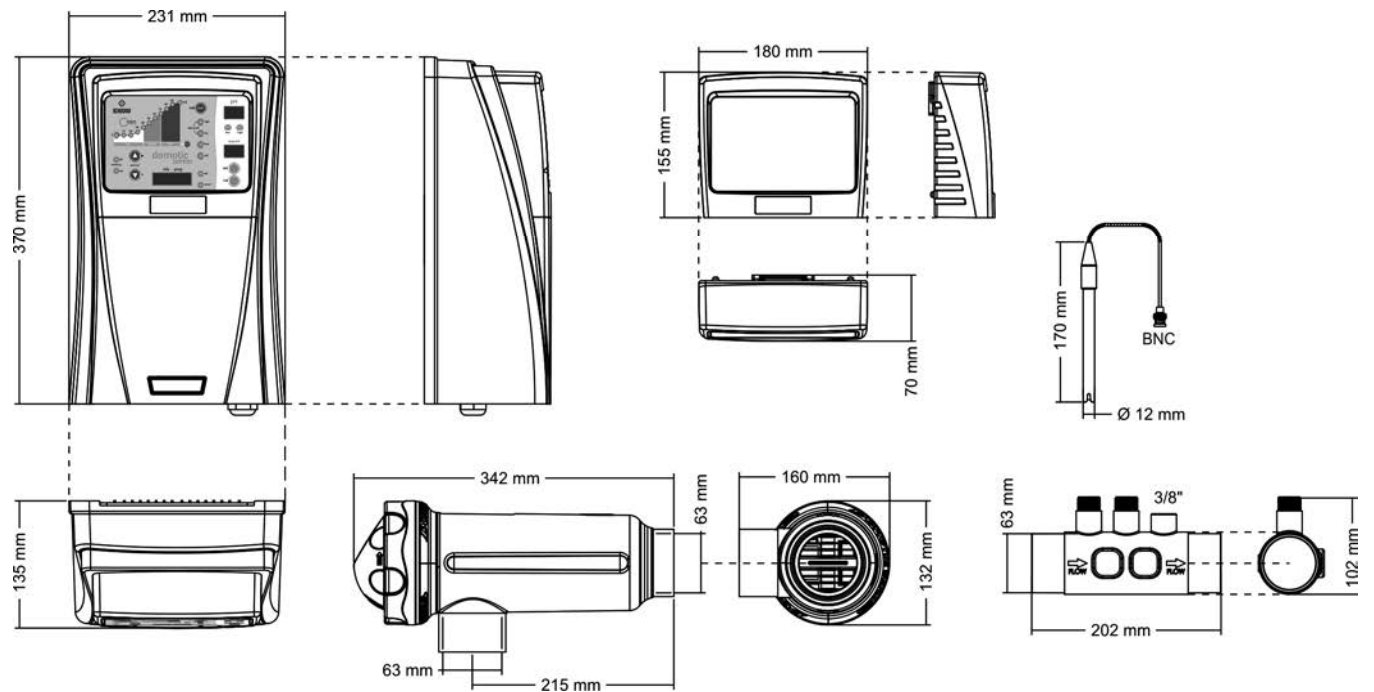
Body: plastic (red)  
 Range 0 - 1000 mV  
 Solid electrolyte

**Dimensions**

**DOMOTIC (DOM-XX models)**



**DOMOTIC-PH / PLUS (DOM-XX PH and DOM-XX PLUS models)**



## 9. WARRANTY CONDITIONS:

---

### 9.1. GENERAL ASPECTS

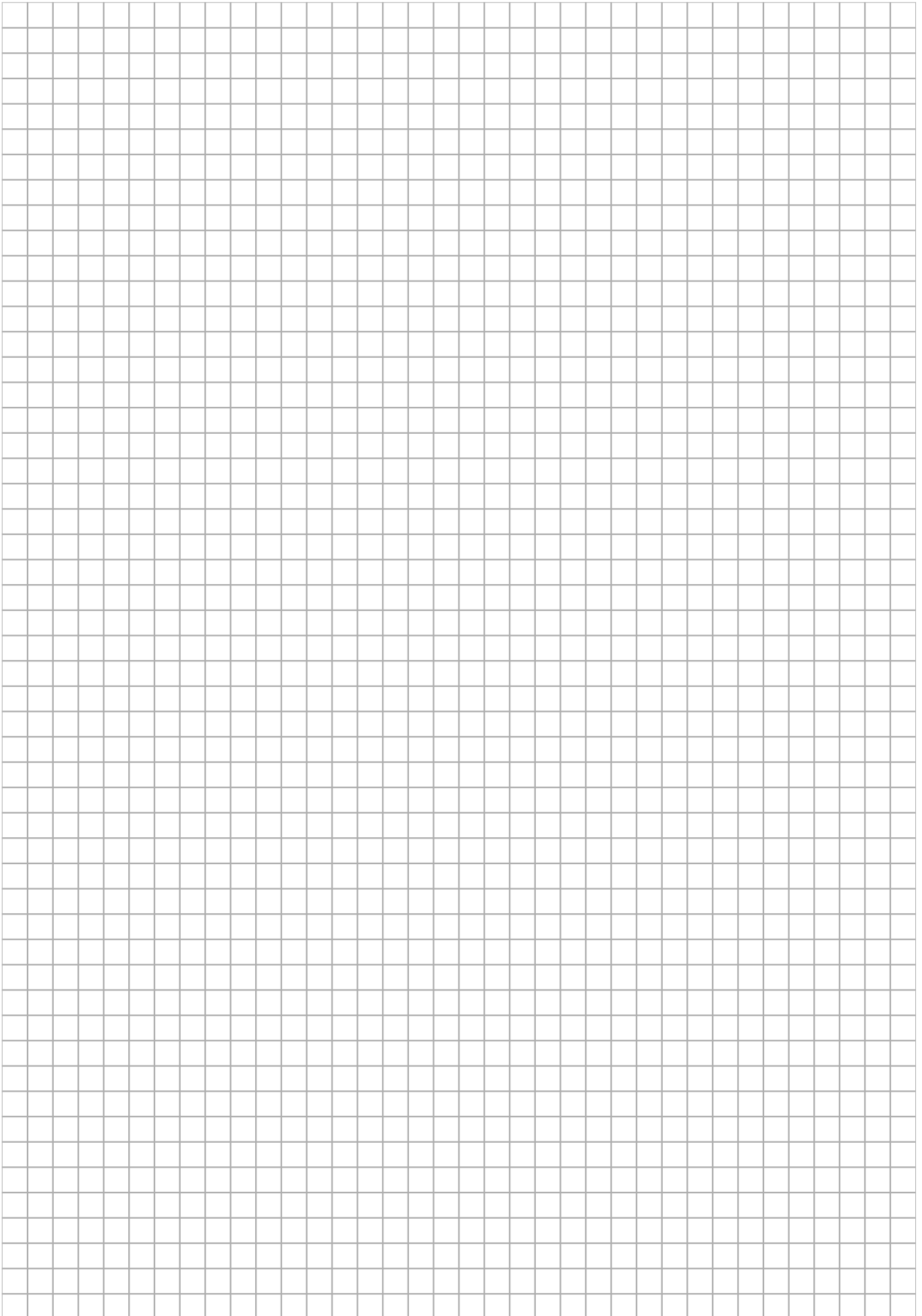
- 9.1.1. According to these provisions, the seller guarantees that the guaranteed product is in perfect condition upon delivery.
- 9.1.2. The Total Warranty period is 3 YEARS.
- 9.1.3. Specific warranties:
- 9.1.3.1. The electrodes are covered by a special 3-YEAR <sup>(1)</sup> or 5,000-hour warranty (whichever comes first), without extensions.
  - 9.1.3.2. The pH/ORP sensors are covered by a 6-MONTH warranty without extensions.
  - 9.1.3.3. These specific warranty periods are particularly subject to the limitations indicated in Section §9.3.2.
- 9.1.4. Should the Product be faulty and the seller is notified during the Guarantee Period, he shall repair or replace the Product at his own cost wherever he sees fit, unless this is either impossible or out of proportion.
- 9.1.5. When the Product cannot be repaired or replaced, the buyer may request a proportional price reduction or, if the fault is important enough, rescission of the sales contract.
- 9.1.6. Parts replaced or repaired pursuant to this warranty shall not extend the warranty period of the original Product, although they shall have their own warranty.
- 9.1.7. For this warranty to be effective, the buyer shall accredit the date of acquisition and delivery of the Product.
- 9.1.8. When the buyer alleges a fault in the product over six months after its delivery, he shall accredit the original and existence of the alleged fault.
- 9.1.9. This Warranty Certificate does not limit or prejudice consumer rights pursuant to national legislation.

### 9.2. SPECIFIC CONDITIONS

- 9.2.1. For this warranty to be effective, the buyer must closely follow the manufacturer's instructions included in the documentation supplied with the product, as applicable to each product range and model.
- 9.2.2. Whenever a schedule is defined for the replacement, maintenance or cleaning of certain product parts or components, the warranty shall only be valid when said schedule has been correctly followed.

### 9.3. LIMITATIONS

- 9.3.1. This warranty shall only be applicable to sales to consumers, with consumer being defined as a person who purchases the product for other than professional purposes.
- 9.3.2. The specific warranty periods established in Section §9.1.3. shall not be applicable in the event of commercial use of the product in facilities accessible to the general public (hotels, sports centres, residents' associations, schools, etc.). In these cases, as of 4,500 verifiable operating hours, a warranty that is proportional to the operating time remaining until the original 5,000-hour warranty shall apply.
- 9.3.3. No warranty is applicable to normal wear or the product, parts, components and/or fungible or consumable materials (except the electrode).
- 9.3.4. The warranty does not cover cases in which the product: (i) has been incorrectly treated; (ii) has been inspected, repaired, maintained or handled by an unauthorised person; (iii) has been repaired or maintained with non-original parts, or (iv) has been incorrectly installed or started up.
- 9.3.5. When a faulty product results from incorrect installation or start-up, this warranty shall only be applicable when the installation or start-up forms part of the product contract of sale and had been performed by the seller or under the seller's responsibility.
- 9.3.6. Damage or faults due to any of the following causes:
- o Bad programming of the system and/or user inadequate calibration of the pH/ORP sensors.
  - o Operation at salinity values of less than 3 g of sodium chloride per litre and/or temperatures lower than 15°C (59°F) or higher than 40°C (104°F).
  - o Operation at a pH of more than 7.6.
  - o Use of explicitly unauthorised chemicals.
  - o Performing of cleaning tasks on electrodes too often without just cause or using products and/or procedures other than those described in the Instruction Manual.
  - o Exposure to corrosive environments and/or temperatures of less than 0°C (32°F) or more than 50°C (125°F).





**IMPORTANT:** le manuel d'instructions que vous avez entre les mains contient des informations de première importance sur les mesures de sécurité à adopter au moment de l'installation et de la mise en marche. Il est par conséquent indispensable que l'installateur et l'utilisateur lisent attentivement les instructions avant de commencer le montage et la mise en marche. Conservez ce manuel en vue de futures consultations sur le fonctionnement de cet appareil.



### Élimination de résidus de systèmes domestiques électriques et électroniques dans l'Union Européenne.

Tout produit marqué avec ce symbole indique qu'on ne peut pas l'éliminer avec le reste de résidus domestiques. Il est la responsabilité de l'utilisateur d'éliminer ce type de résidu en le déposant dans un point adéquat pour le recyclage sélectif de résidus électriques et électroniques. Le traitement adéquat et le recyclage de ces résidus contribue de manière essentielle à la conservation de l'Environnement et la santé des utilisateurs. Pour obtenir une information plus précise sur les points de récolte de ce type de résidu, contactez avec les autorités locales.

Les instructions contenues dans ce manuel décrivent le fonctionnement et l'entretien des systèmes d'Électrolyse de Sel DOMOTIC Series DOM-XX, DOM-XXPH et DOM-XX PLUS. Pour obtenir un rendement optimal des Systèmes d'Électrolyse de Sel DOMOTIC Series il est nécessaire de suivre les instructions qui sont indiquées ensuite :

## 1. VÉRIFIEZ LE CONTENU DE L'EMBALLAGE: \_\_\_\_\_

À l'intérieur de la boîte, vous trouverez les accessoires suivants :

- Source d'alimentation.
- Cellule d'électrolyse.
- Sonde combiné pH (seulement dans les modèles DOM-XX PH et DOM-XX PLUS).
- Sonde ORP EX (seulement dans les modèles DOM-XX PLUS).
- Solutions calibrage pH 7.0 (vert) / pH 4.0 (rouge) / ORP 470 mV (seulement dans les modèles DOM-XX PH et DOM-XX PLUS).
- Porte-sondes (seulement dans les modèles DOM-XX PH et DOM-XX PLUS).
- Connecteur CEE22 M pour connecter la pompe de dosage (seulement dans les modèles DOM-XX PH et DOM-XX PLUS).
- Manuel du système.

## 2. CARACTERISTIQUES GÉNÉRALES: \_\_\_\_\_

Une fois installé le système d'Électrolyse Saline DOMOTIC Series, il est nécessaire de dissoudre une quantité de sel dans l'eau. Cette eau saline circule à travers la cellule d'électrolyse située dans l'épuratrice. Le système d'électrolyse saline DOMOTIC Series comporte deux éléments : la cellule d'électrolyse et la source d'alimentation. La cellule d'électrolyse contient un nombre déterminé de plaques de titane (électrodes), de sorte que quand on applique un courant électrique et la solution saline passe à sa traversée, se produit du chlore libre.

Le maintien d'un certain niveau de chlore dans l'eau de la piscine garantira sa qualité sanitaire. Un système d'Électrolyse Saline DOMOTIC Series fabriquera chlore quand le système de recirculation de la piscine (pompe et filtre) seront opérationnels.

La source d'alimentation est dotée de divers dispositifs d'alarme qui s'activent en cas de fonctionnement anormal du système, ainsi qu'un système de contrôle de production contrôlé par microprocesseur.

Les systèmes d'Électrolyse Saline DOMOTIC Series disposent d'un système automatique de nettoyage des électrodes qui évite les incrustations calcaires sur les électrodes. En plus, les systèmes de la famille DOMOTIC-PH et DOMOTIC PLUS incluent un contrôleur automatique de pH, ainsi qu'un contrôleur d'ORP additionnel dans le cas des systèmes de la série DOMOTIC.

## 3. MISES EN GARDE DE SÉCURITÉ ET RECOMMANDATIONS: \_\_\_\_\_

- Le système doit être installé ou manipulé par personnel qualifié.
- Il faut respecter les normes en vigueur électriques et pour la prévention d'accidents.
- Le fabricant ne se responsabilisera en aucun cas du montage, de l'installation ou mise en fonctionnement ni de la manipulation ou incorporation de composants qui n'auront pas été réalisés dans ses installations.
- Les Systèmes d'Électrolyse Saline DOMOTIC Series travaillent à 230VAC, 50/60 Hz. N'essayez pas de modifier le système pour travailler sous un autre voltage.
- S'assurer de réaliser des connections consistantes pour éviter de faux contacts lors du préchauffement.
- Avant de procéder à l'installation ou au remplacement d'un certain composant, débrancher l'appareil du réseau électrique, et utilisez exclusivement des rechanges fournis par IDEGIS.
- Étant donné que l'appareil génère de la chaleur, il est important de l'installer dans un endroit suffisamment aéré et de veiller à maintenir les orifices de ventilation dégagés de tout élément obstruant. Veiller à ne pas l'installer près de matériaux inflammables.
- Les Systèmes d'Électrolyse Saline DOMOTIC Series disposent d'un degré de protection IP24. Ils ne doivent en aucun cas être installés dans des endroits exposés aux inondations.

## SOURCE D'ALIMENTATION

| DESCRIPTION  | MODÈLE  |                                     |                                     |                                     |
|--|---|-------------------------------------|-------------------------------------|-------------------------------------|
|  | DOM-12 / DOM-12 PH /<br>DOM-12 PLUS   | DOM-24 / DOM-24 PH /<br>DOM-24 PLUS | DOM-32 / DOM-32 PH /<br>DOM-32 PLUS | DOM-42 / DOM-42 PH /<br>DOM-42 PLUS |
| Tension de service standard  | 230 V AC, 50/60 Hz.   |                                     |                                     |                                     |
| Sortie (dc)  | 12 A (2x6 A)  | 24 A (2x12 A)                       | 32 A (2x16A)                        | 42 A (6x7A)                         |
| Production (g/h)   | 10 - 12   | 20 - 24                             | 25 - 32                             | 34 - 42                             |
| Volume piscine (m <sup>3</sup> )<br>Tiède: 16 - 24°C<br>Chaud: +25°C | 60<br>50  | 100<br>80                           | 160<br>120                          | 200<br>160                          |
| Détecteur flux   | Détecteur gaz   |                                     |                                     |                                     |
| Rang de Salinité / Température                                       | 3 - 12 g./l. / +15 - 40°C   |                                     |                                     |                                     |
| Électrodes   | Titane avec recouvrement AUTO-NETTOYANTE<br>Temps de vie prévu: 10.000 - 12.000 heures <sup>(2)</sup>   |                                     |                                     |                                     |
| Contrôle production  | 0 - 100 % ( 11 niveaux de production)   |                                     |                                     |                                     |
| Contrôle couverture  | Entrée pour contact libre de potentiel<br>Réduction de production programmable depuis le panneau de contrôle avec couverture fermée [10% ... 90%]   |                                     |                                     |                                     |
| Inversion polarité   | Programmable depuis le panneau de contrôle: 2 <sup>(1)</sup> /3 heures + mode test  |                                     |                                     |                                     |
| Contrôle externe   | Deux entrées pour contact libre de potentiel pour interrupteur débit externe et contrôleur ORP/CHLORE RESIDUEL. Logique du contact programmable depuis le panneau de contrôle de l'unité. |                                     |                                     |                                     |
| Protection niveau de sel   | Protection automatique de production  |                                     |                                     |                                     |

<sup>(1)</sup> Valeurs par défaut de fabrique

<sup>(2)</sup> Dans conditions idéales : salinité (6 g/l), pH (7,2), dureté de l'eau (120 mg/l) et débit minimum.

## CELLULE D'ÉLECTROLYSE

| DESCRIPTION                   | MODÈLE   |                                     |                                     |                                     |
|-------------------------------|--|-------------------------------------|-------------------------------------|-------------------------------------|
|                               | DOM-12 / DOM-12 PH /<br>DOM-12 PLUS            | DOM-24 / DOM-24 PH /<br>DOM-24 PLUS | DOM-32 / DOM-32 PH /<br>DOM-32 PLUS | DOM-42 / DOM-42 PH /<br>DOM-42 PLUS |
| Débit minimum                 | 2 m <sup>3</sup> /h                            | 4 m <sup>3</sup> /h                 | 6 m <sup>3</sup> /h                 | 8 m <sup>3</sup> /h                 |
| Nombre d'électrodes           | 5  | 7                                   | 7                                   | 13                                  |
| Matériel                      | Derivé méthacrylate                            |                                     |                                     |                                     |
| Connexion tuyau               | Encollage avec adhésif pour tuyau PVC Ø 63 mm. |                                     |                                     |                                     |
| Pression maximale recommandée | 1 Kg./cm <sup>2</sup>                          |                                     |                                     |                                     |
| Température fonctionnement    | Moins de 40°C                                  |                                     |                                     |                                     |

## CONTRÔLEUR DE PH / ORP

| DESCRIPTION              | MODÈLE  |                          |                          |                          |
|--------------------------|---|--------------------------|--------------------------|--------------------------|
|                          | DOM-12 PH<br>DOM-12 PLUS  | DOM-24 PH<br>DOM-24 PLUS | DOM-32 PH<br>DOM-32 PLUS | DOM-42 PH<br>DOM-42 PLUS |
| Rang de mesure           | 0.0 - 9.9 (pH) / 0 - 999 mV (ORP)   |                          |                          |                          |
| Rang de contrôle         | 7.0 - 7.8 (pH) / 600 - 850 mV (ORP)   |                          |                          |                          |
| Précision                | ± 0.1 pH / ± 1 mV   |                          |                          |                          |
| Calibrage                | Automatique avec solutions de calibrage   |                          |                          |                          |
| Sorties de contrôle [pH] | Une sortie 230 VAC / 500 mA pour connexion pompe de dosage  |                          |                          |                          |
| Sondes pH / ORP          | Corps en epoxy, 12x150 mm., union simple, 0-80°C<br>couleur BLEUE, rang 0 - 12(pH),<br>couleur ROUGE, rang 0 - 1000 (mV), |                          |                          |                          |

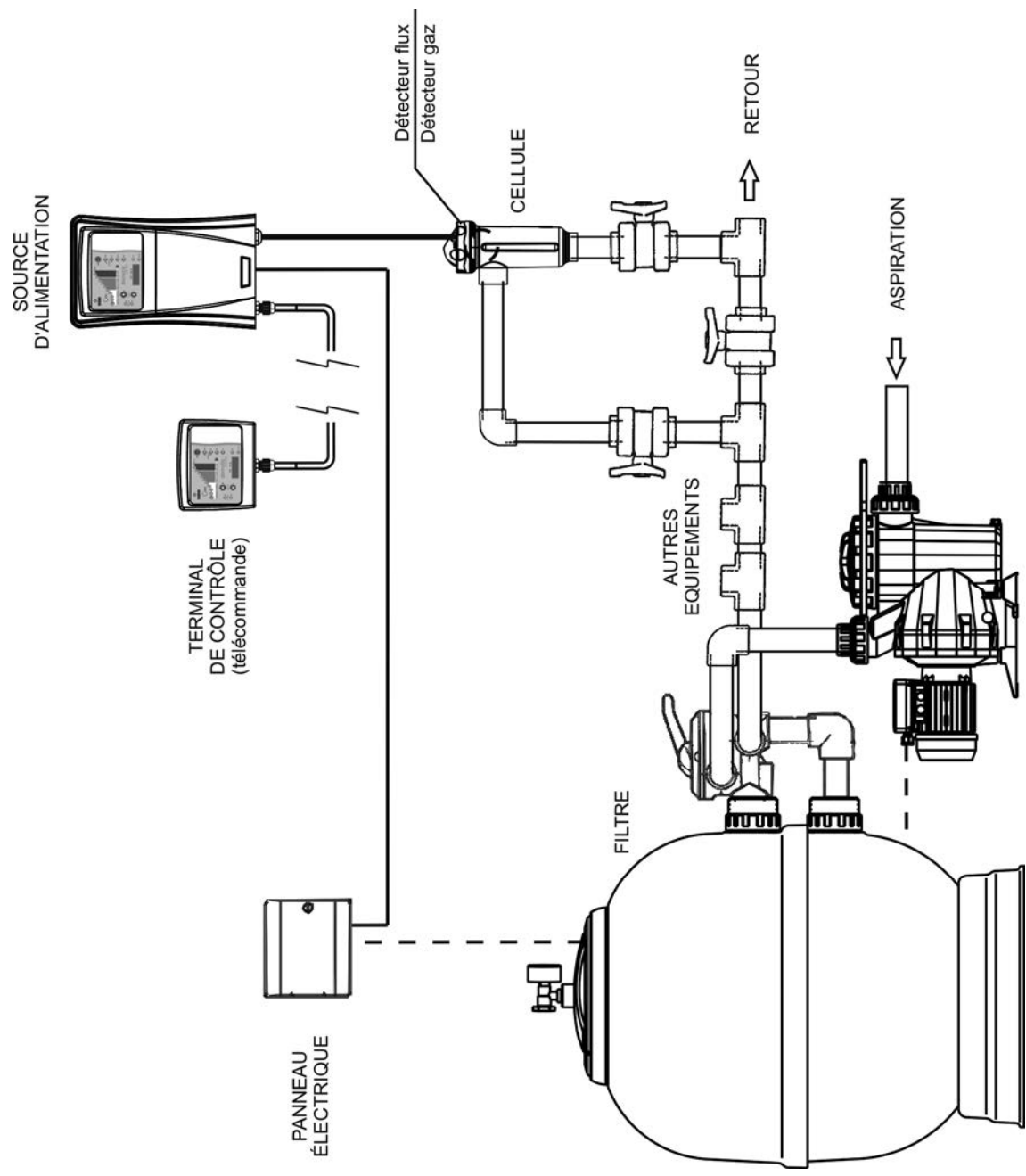


Fig.1 Diagramme d'installation recommandée (systèmes DOMOTIC Series DOM-XX).

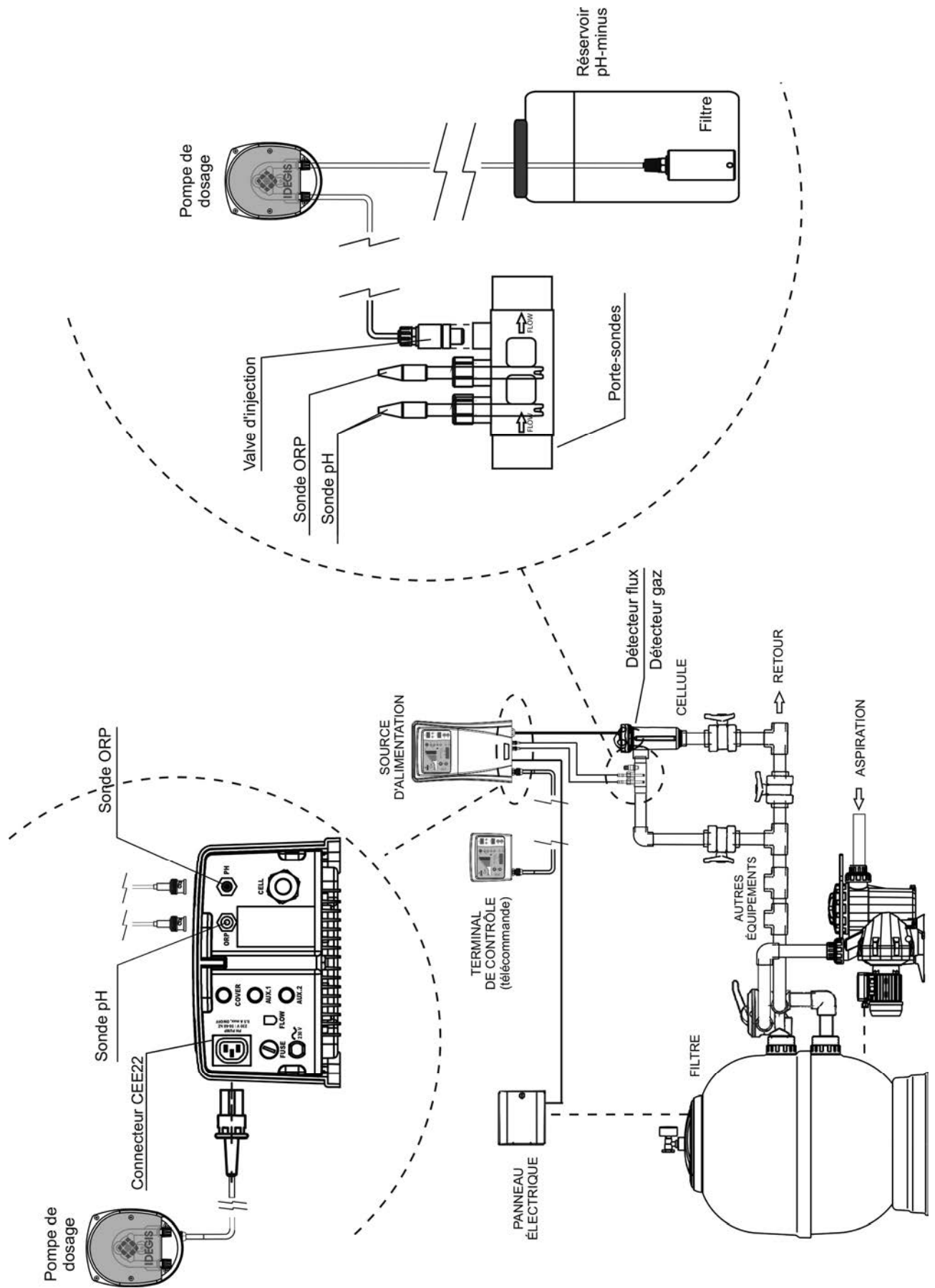


Fig.2 Diagramme d'installation recommandée (systèmes DOMOTIC Series DOM-XX PH et DOM-XX PLUS).

## 4. INSTALLATION:

### 4.1. Installation de la source d'alimentation

Toujours installer la SOURCE D'ALIMENTATION du système DOMOTIC Series VERTICALEMENT et sur une surface (mur) rigide comme dans le diagramme d'installation recommandée (Figs. 1,2). Pour garantir son bon état de conservation, vous devez essayer de toujours installer l'équipement dans un endroit sec et bien ventilé. Le degré d'étanchéité de la SOURCE D'ALIMENTATION du système DOMOTIC Series ne permet pas son utilisation en plein air. La SOURCE D'ALIMENTATION devra préférablement être installée suffisamment loin de la cellule d'électrolyse de façon à ce qu'elle ne puisse pas subir d'éclaboussure d'eau accidentellement.

**Très important : évitez la formation de milieux corrosifs dus aux solutions qui diminuent le pH (concrètement celles formulées avec acide chlorhydrique « HCl »). Ne jamais installer le système DOMOTIC Series près des lieux de stockage de ces produits. Nous recommandons spécialement l'utilisation de produits basés en bisulfate sodique ou acide sulfurique dilué. La connexion de la source d'alimentation au réseau électrique doit s'effectuer sur le panneau électrique de l'épurateur, de façon que la pompe et le système DOMOTIC Series se connectent simultanément.**

### 4.2. Installation de la cellule d'électrolyse

La cellule d'électrolyse est fabriquée d'un polymère transparent à l'intérieur duquel se logent les électrodes. La cellule d'électrolyse devra être installée dans un endroit à l'abri des intempéries et **toujours derrière le système de filtration**, en cas d'existence d'autres dispositifs dans l'installation tels que des pompes à chaleur, des systèmes de contrôle, etc. ; ceux-ci devront toujours être placés avant le système d'électrolyse.

L'installation de la cellule devrait permettre l'accès facile de l'utilisateur aux électrodes installées. La cellule d'électrolyse doit toujours être placée VERTICALEMENT dans un endroit de la canalisation qui puisse être isolé du reste de l'installation grâce à deux vannes, de telle façon que les tâches d'entretien de celle-ci puissent être effectuées sans vider entière ou partiellement la piscine.

Si la cellule s'installe en by-pass (option recommandée), vous devrez introduire une vanne qui régule le débit à travers de celle-ci. Avant de procéder à l'installation définitive du système, les commentaires suivants doivent être considérés :

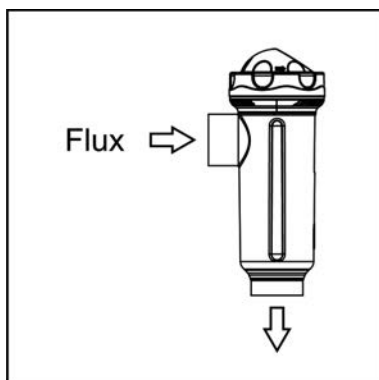


Fig. 3

1. Le sens du fluide marqué sur la cellule doit être respecté. Le système de circulation doit garantir le débit minimal consigné dans le Tableau de Spécificités Techniques pour chaque modèle (voir section 9).

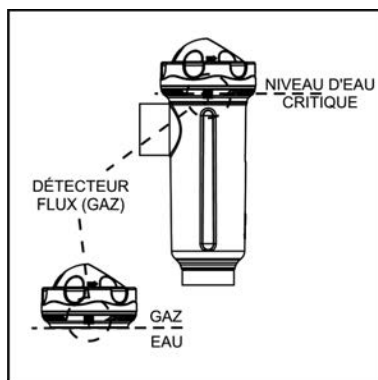


Fig. 4

2. Le système détecteur de flux (détecteur de gaz) s'active en cas de non circulation de l'eau à travers la cellule ou bien si le flux est très faible. La non-évacuation du gaz d'électrolyse génère une poche qui isole électriquement l'électrode auxiliaire (détection électronique). Par conséquent, en introduisant les électrodes dans la cellule, la sonde de niveau (électrode auxiliaire) doit rester située dans la partie supérieure de celle-ci. La disposition la plus sûre est celle du diagramme d'installation recommandée.

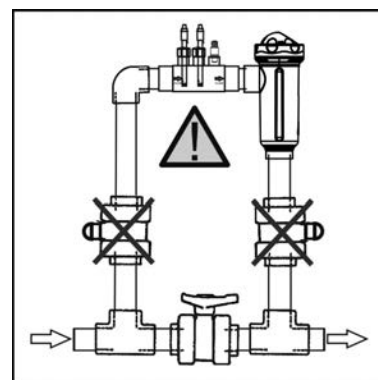


Fig. 5

3. **ATTENTION:** le détecteur de flux ne fonctionnera pas correctement, ce qui produira un risque de rupture de la cellule, si les vannes d'entrée et de sortie de la canalisation où est installée la cellule d'électrolyse se ferment simultanément. Bien que cela reste une situation extrêmement inhabituelle, on peut l'éviter **en bloquant, une fois l'équipement installé, la vanne de la sortie vers la piscine**, de mode qu'elle ne puisse pas être manipulée accidentellement.

D'autres installations seraient seulement acceptables si elles permettent la détection de débit faible ou nul.

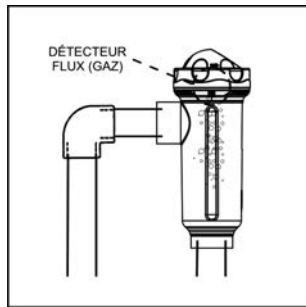


Fig. 6

Installation recommandée

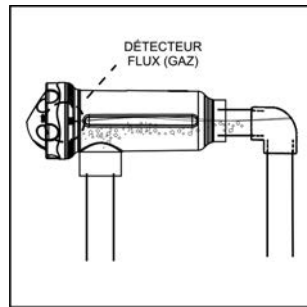


Fig. 7

Installation acceptable

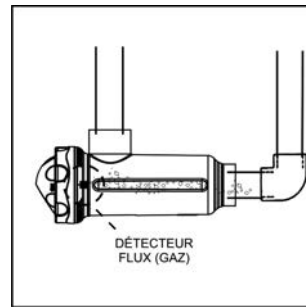


Fig 8

Installations non acceptables

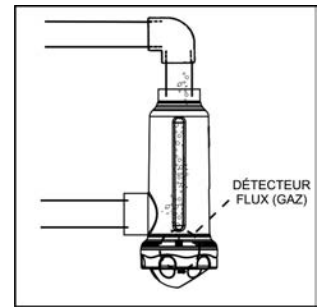


Fig 9

Les électrodes devront être introduites à l'intérieur de la cellule d'électrolyse en emboîtant l'électrode centrale de l'ensemble au moyen des guides situés dans la partie supérieure et inférieure du corps de celle-ci.

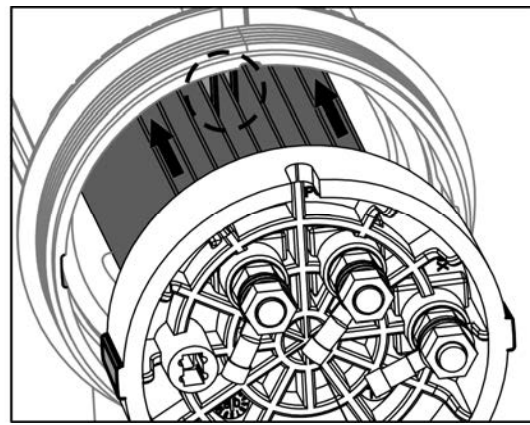
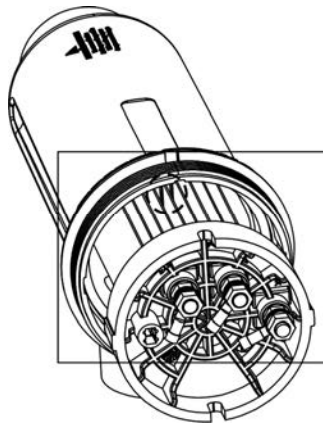
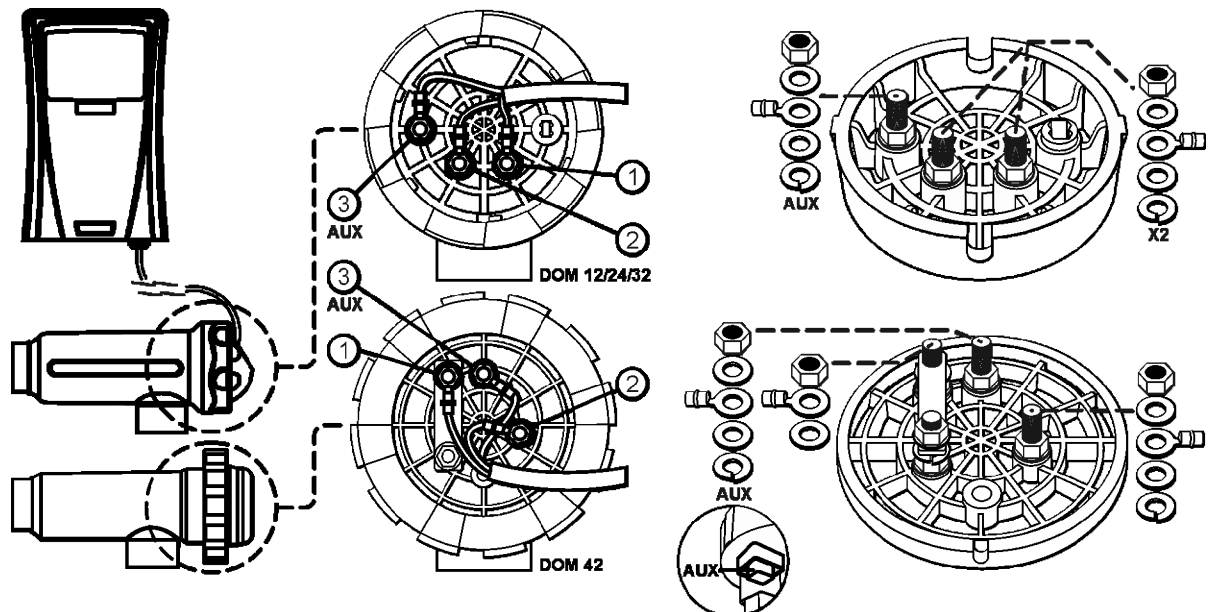


Fig 10

#### 4.3. Connexions électriques de la cellule d'électrolyse

Réaliser l'interconnexion entre la cellule d'électrolyse et la source d'alimentation selon le schéma suivant. Dû à l'intensité relativement élevée du courant qui circule dans les câbles d'alimentation de la cellule d'électrolyse, la longueur et la section de ceux-ci ne doivent en aucun cas être modifiés sans consulter au préalable votre distributeur agréé IDEGIS. Le câble de connexion cellule-source d'alimentation ne doit jamais dépasser la longueur maximale recommandée dans ce Manuel: DOM-12 (6 A), 7,5 m.; DOM-24 (12 A), 4,0 m.; DOM-32 (16 A), 3,0 m; DOM-42 (7 A), 16,0 m.



- 1.- Électrode 1 (rouge)
- 2.- Électrode 2 (rouge)
- 3.- Détecteur flux (jaune)

Fig.11

**4.4. Installation de les sondes de pH / ORP (seulement dans les modèles DOM-XX PH et DOM-XX PLUS)**

1. Insérer les sondes pH/ORP fournie avec le système dans les logements correspondants du porte-sondes. (Fig. 12)
2. Pour ce faire, desserrez les écrous des raccords et insérez la sonde dans ceux-ci.
3. La sonde doit être introduite dans le raccord de sorte qu'on garantisse que le capteur situé dans son extrémité est toujours submergé dans l'eau qui circule à travers la canalisation.
4. **Installez toujours les sondes de pH / ORP préférentiellement verticale ou avec une inclinaison maximale de 40° (Fig. 13).**

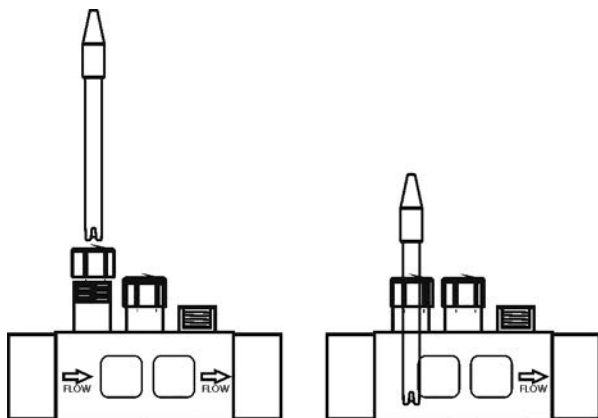


Fig. 12

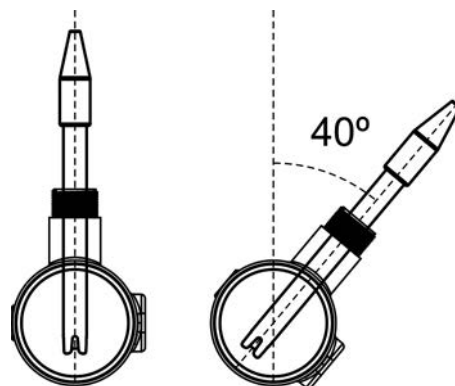


Fig. 13

**4.5. Installation du détecteur de flux externe optionnel (non compris dans l'équipement)**

1. Placer le collier fourni dans un tronçon de la tuyauterie situé à l'entrée de la cellule d'électrolyse. Le collier devra être toujours installé en position horizontale au sol (Fig. 14-1).
2. Installer le détecteur de flux (interrupteur flux) toujours verticalement dans le collier (Fig. 14-1).
3. Une flèche est marquée sur la tête du détecteur de flux. Assurez-vous que cette flèche est parallèle à l'axe de la conduite et qu'elle coïncide avec la direction du flux de l'eau (Fig. 14-2).
4. Éviter d'installer le détecteur de flux à proximité d'objets ferromagnétiques. Ces objets peuvent influencer le fonctionnement du dispositif magnétique situé à l'intérieur et diminuer, par conséquent, sa fiabilité.

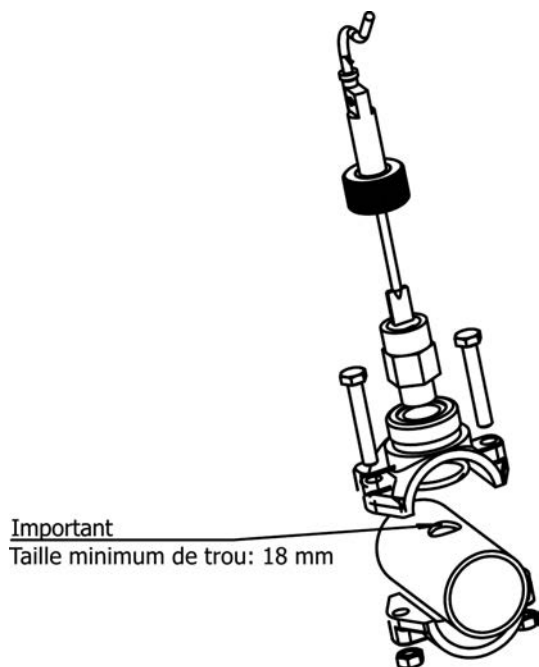


Fig. 14-1

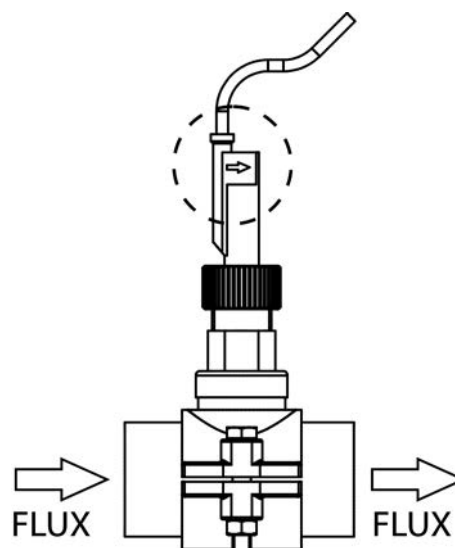


Fig. 14-2

#### 4.6. Installation du terminal de contrôle extractible

Avec les systèmes DOMOTIC series il est possible d'installer une commande à distance du système d'électrolyse saline situé dans l'épuratrice de la piscine au moyen de l'installation d'un terminal mural de contrôle (télécommande). L'interconnexion entre la source d'alimentation et le terminal de contrôle est possible grâce à un câble de télécommunication de 6 conducteurs relié aux connecteurs respectifs situés sur les cartes de puissance et de visualisation. La longueur de ce câble dépendra des besoins du propriétaire, mais il ne peut jamais dépasser les 40 mètres. Le terminal est un élément autoalimenté à 10,5 Vac par le même bus de communication, c'est pourquoi il n'y a pas besoin d'avoir une prise d'alimentation supplémentaire.

La télécommande ne requiert aucune procédure spéciale d'entretien, à l'exception des suivantes normes générales d'utilisation :

- Utiliser un chiffon légèrement humide pour le nettoyer.
- Ne pas utiliser de produits de nettoyage agressifs (eau de javel, aérosols, solvants, alcool, etc.)

La télécommande a été conçue pour être placée sur un mur rigide. Son degré de protection IP-65 permet de l'installer à l'intempérie. Cependant, il serait recommandable de ne pas exposer directement le terminal aux rayons solaires. Pour l'installation du terminal procédez de la manière suivante:

1. Enlever le couvercle de la source d'alimentation en dévissant la vis de fixation (Fig. 11-1) et en glissant vers le haut et vers dehors (Fig. 11-2). Ensuite tourner le couvercle vers la gauche (Fig. 11-3) et débrancher le câble de communication (A) de la carte de puissance et de la carte de visualisation (Fig. 11-4).
2. Dévissez les quatre vis de fixation (Fig. 11-5).
3. Monter le terminal de contrôle (Fig. 11-6).

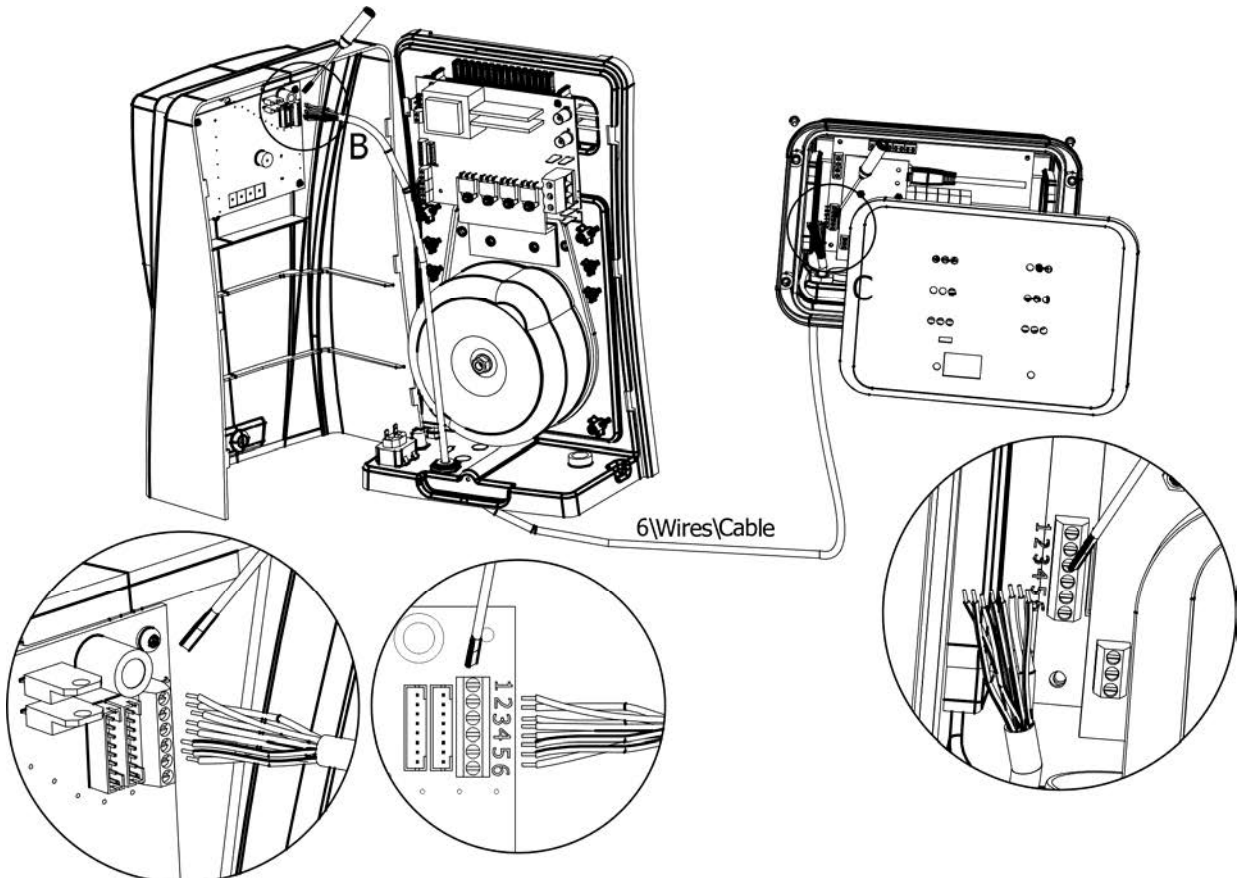
OPTION A: installation en utilisant un câble original d'IDEGIS réf. DOM-020-XX (XX indique la longueur en mètres du câble).

OPTION B: installation en utilisant un câble de télécommunication standard de 6 conducteurs avec une coupe minimale de 0,22 mm<sup>2</sup> chacun.

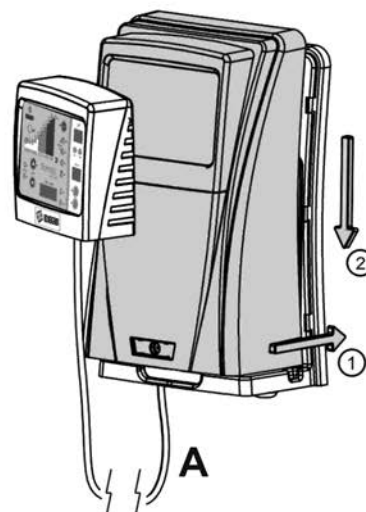
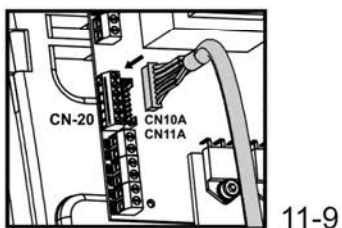
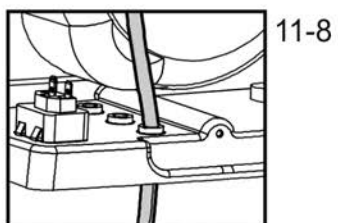
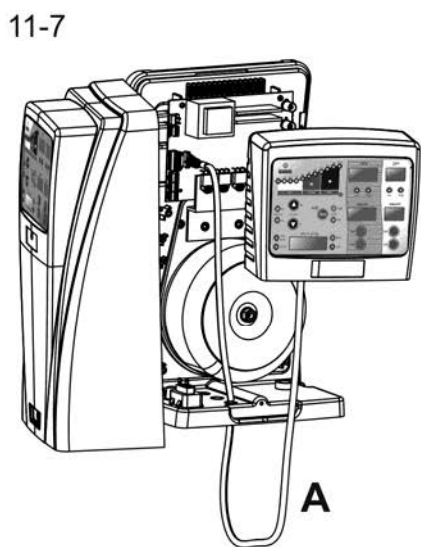
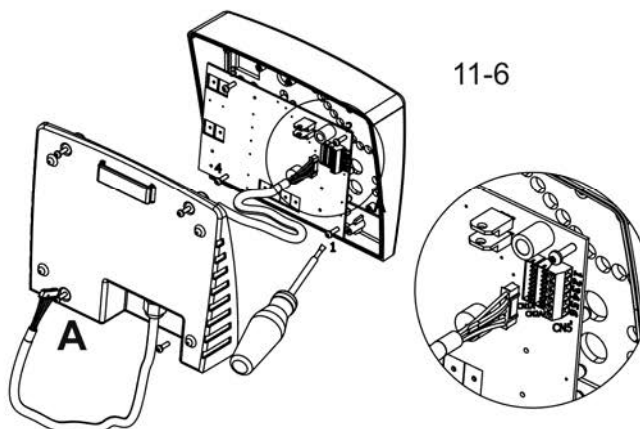
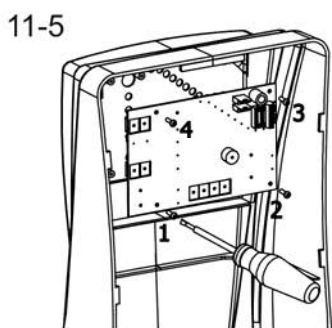
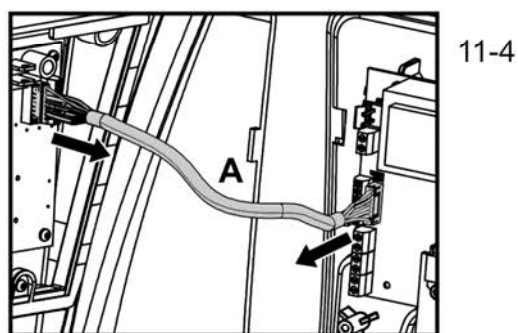
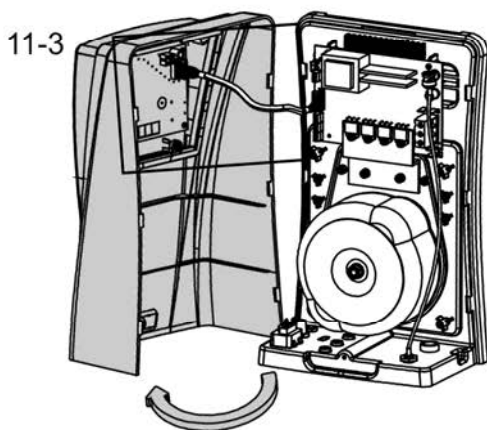
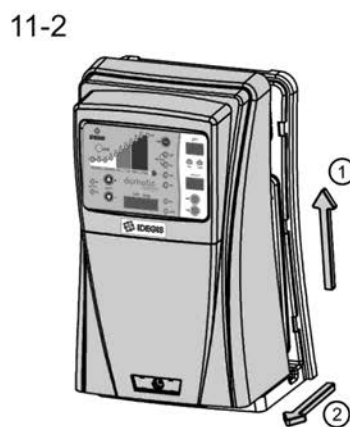
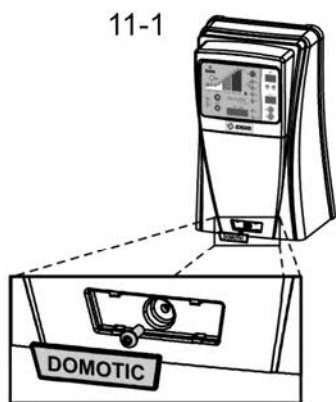
Dans les deux cas la longueur maximale permise c'est de 40 mètres. Cependant, l'utilisation d'un câble UTP de paire torsadée (Catégorie 5e sans blinder) permet l'interconnexion à distances jusque les 60 mètres.

4. Pour ce faire, passer le nouveau câble de communication (A) à travers du passe-câbles situé sur la base du terminal et le connecter à n'importe lequel des deux connecteurs de la carte de visualisation (CN1A, CN2A) [**OPTION A**], ou au connecteur CN-5 [**OPTION B**]. Unir le frontal de visualisation et la base du terminal avec les quatre vis fournis.
5. Passer l'extrémité libre du câble de communication à travers de l'orifice AUX 2 situé sur base de la source d'alimentation (Fig. 11-7, 11-8) et le brancher au connecteur CN10A/CN11A [**OPTION A**] ou au connecteur CN-20 [**OPTION B**] de la carte de puissance (Fig. 11-9). Replacer le couvercle de la source d'alimentation (Fig. 11-7).
6. Disposer la fixation au mur (voir section 8) sur le point d'installation choisi et accrocher le terminal.

#### 4.7. Connectez PoolStation







#### 4.8. Contrôles et indicateurs

Les systèmes d'Électrolyse Saline DOMOTIC Series sont équipés avec un panneau de contrôle placé sur son frontal (Figs. 15,16, 16b).

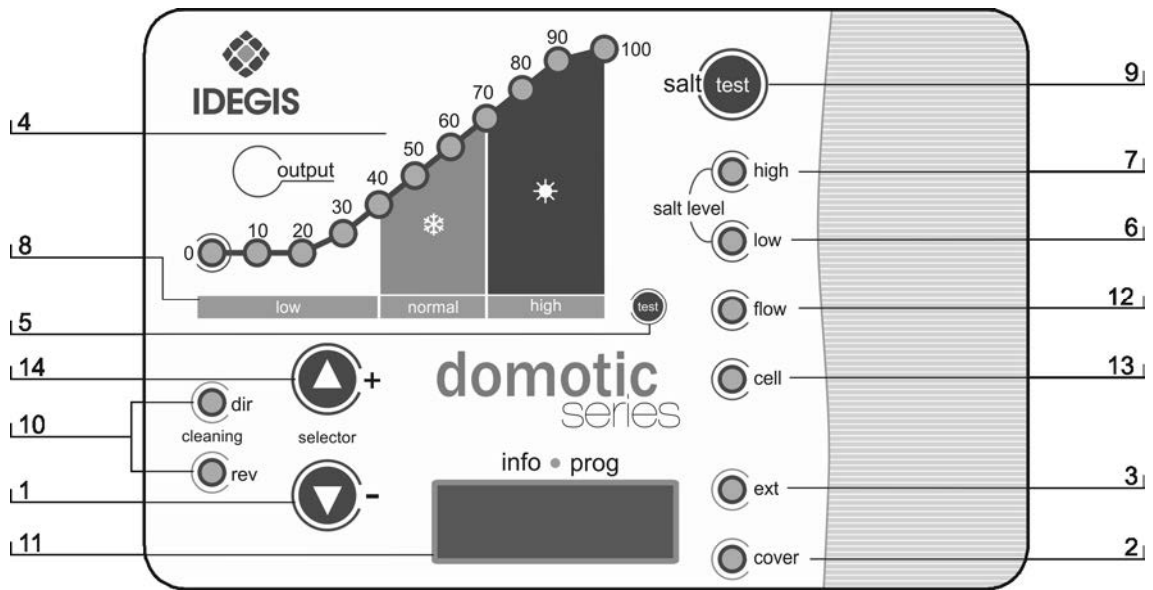


Fig. 15. Panneau de contrôle des systèmes DOM-XX

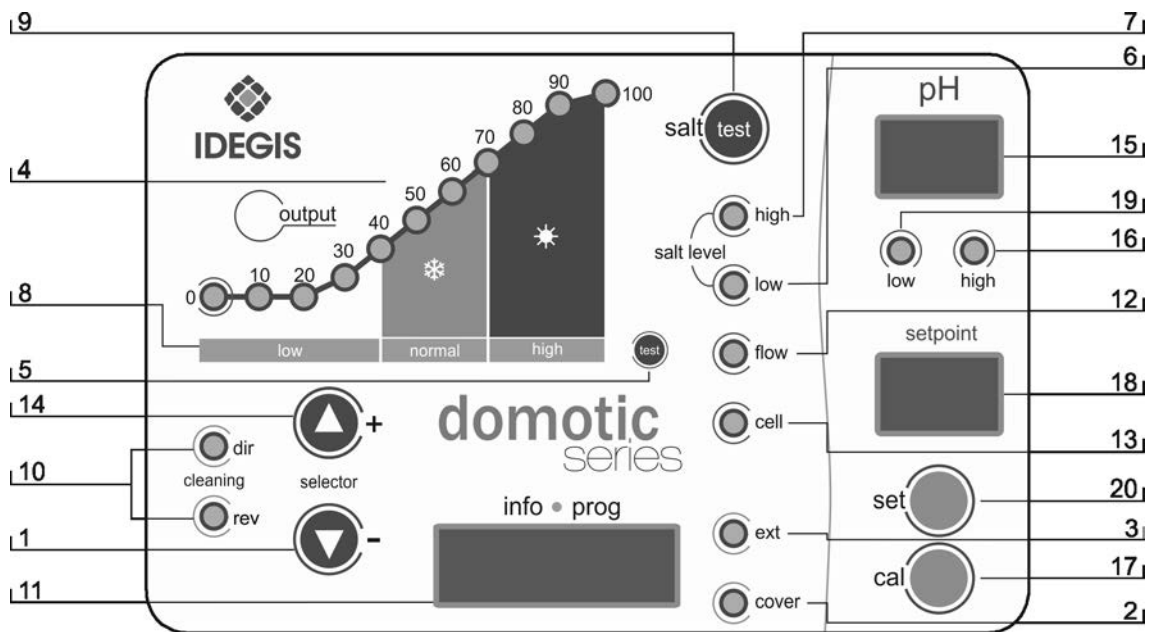


Fig. 16. Panneau de contrôle des systèmes DOM-XX PH

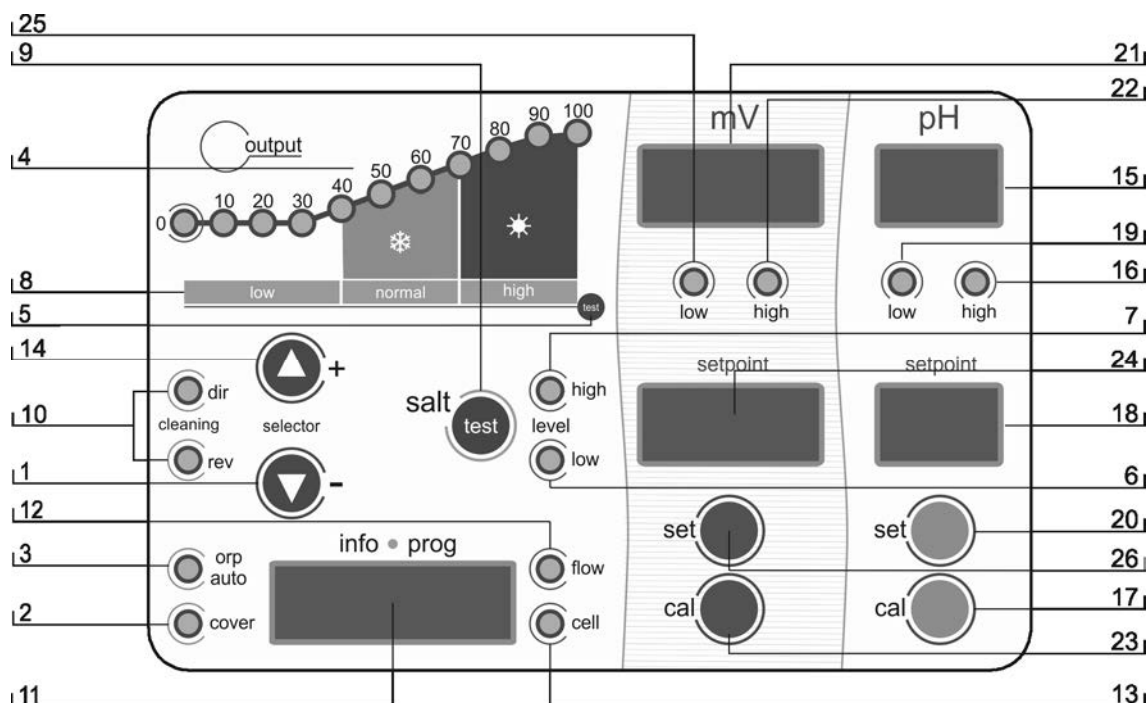


Fig. 16b. Panneau de contrôle des systèmes DOM-XX PLUS

- |   |   |
|---|---|
| <ol style="list-style-type: none"> <li>1. Touche « ▼ » (diminuer production / navigation menus programmation système)</li> <li>2. Indicateur contrôle COUVERTURE AUTOMATIQUE activé.</li> <li>3. Indicateur CONTRÔLE ORP activé</li> <li>4. Échelle production (%)</li> <li>5. Échelle TEST SALINITÉ</li> <li>6. Indicateur de SALINITÉ FAIBLE.</li> <li>7. Indicateur de SALINITÉ HAUTE.</li> <li>8. Échelle SALINITÉ (qualitative)</li> <li>9. Touche pour « TEST SALINITÉ »</li> <li>10. Indicateurs AUTO-NETTOYAGE (polarité DIRECTE/INVERSE)</li> <li>11. Écran d'information du système</li> <li>12. Indicateur d'ALARME de FLUX</li> <li>13. Indicateur d'ALARME de PASSIVATION d'ÉLECTRODE</li> </ol> | <ol style="list-style-type: none"> <li>14. Touche « ▲ » (augmenter production / navigation menus programmation).</li> <li>15. Écran de visualisation du pH de l'eau</li> <li>16. Indicateur d'ALARME de PH HAUT (&gt; 8.5)</li> <li>17. Touche pour MODE CALIBRAGE pH</li> <li>18. Indicateur de valeur de pH programmé</li> <li>19. Indicateur d'ALARME de PH FAIBLE (&lt; 6.5)</li> <li>20. Touche pour programmer la valeur de pH.</li> <li>21. Écran de visualisation du ORP de l'eau</li> <li>22. Indicateur d'ALARME de ORP HAUT (&gt; 850 mV)</li> <li>23. Touche pour MODE CALIBRAGE ORP</li> <li>24. Indicateur de valeur de ORP programmé</li> <li>25. Indicateur d'ALARME de ORP FAIBLE (&lt; 600 mV)</li> <li>26. Touche pour programmer la valeur de ORP.</li> </ol> |
|---|---|

En plus des opérations essentielles, le Système d'Électrolyse de Sel DOMOTIC Series dispose de trois entrées pour contacts libres de tension, lesquels permettent la connexion de contrôles externes supplémentaires. Ces entrées sont situées dans le connecteur [CN7] de la carte de puissance (Fig. 17).

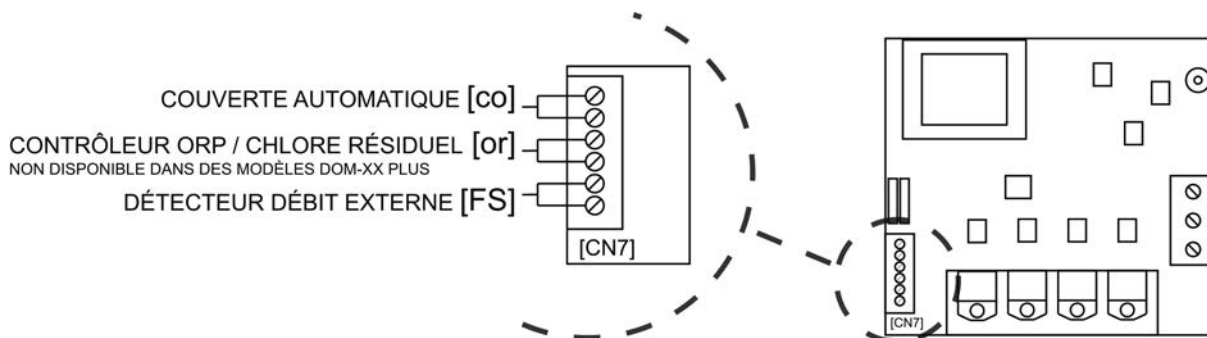


Fig. 17

La logique associée à ces trois entrées peut être programmée pendant le processus de configuration du système (voir section 5.2)

- **[FS] CONTRÔLE DÉTECTEUR DÉBIT EXTERNE OPTIONNEL** (non compris dans l'équipement): entrée pour contact libre de potentiel. Lorsque le contact connecté à cette entrée s'ouvre (détecteur de flux externe au repos), et l'entrée [FS] a été configurée comme **[FS1c]** à la configuration du système, l'électrolyseur s'arrête (alarme de flux). Connecter les câbles du détecteur de flux externe à l'entrée correspondante **[FS]** située dans le connecteur [CN7] de la carte de puissance du système.

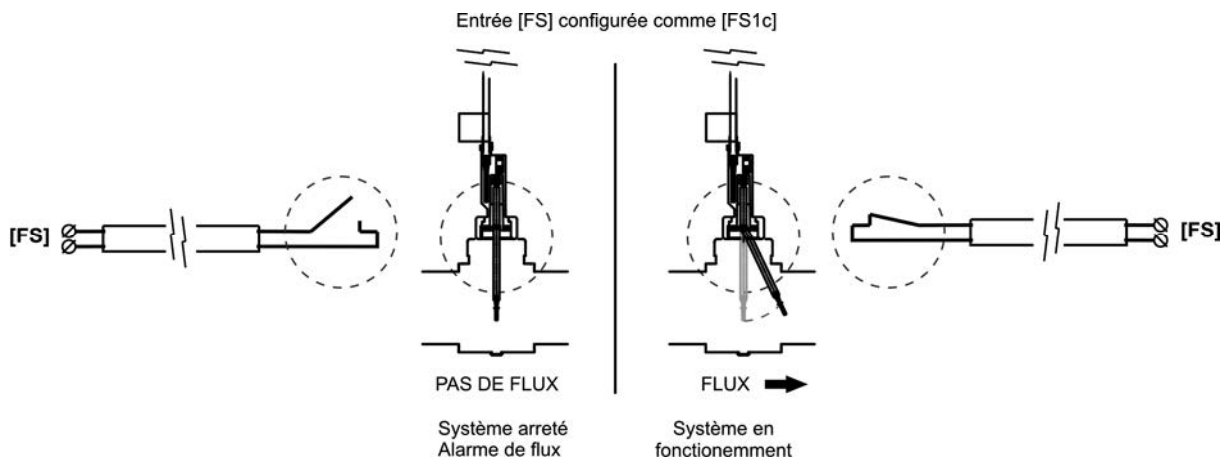


Fig. 18

- **[CO] CONTRÔLE COUVERTURE AUTOMATIQUE**: entrée pour contact libre de potentiel. Cette entrée permet, en fonction de l'état du contact qui y est connecté et qui est situé dans le panneau électrique de la couverture automatique, de programmer une réduction du courant de sortie de l'équipement à un pourcentage de sa valeur nominale.

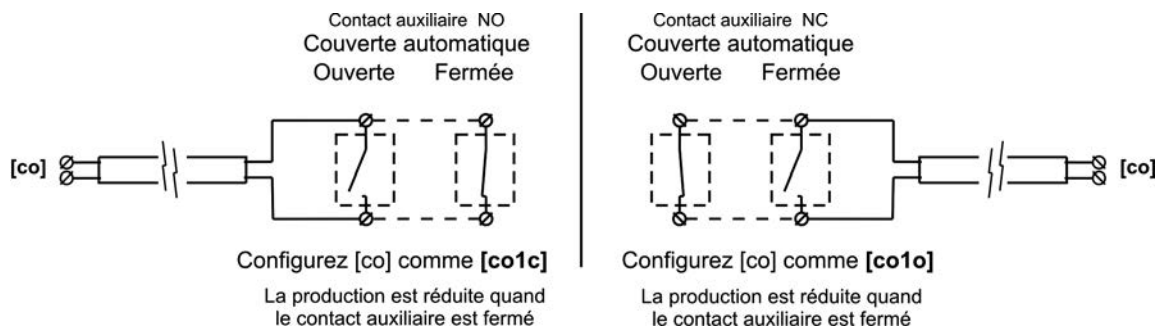


Fig. 19

- **[or]** **CONTRÔLE ORP / CHLORE RÉSIDUEL (non disponible dans des modèles DOM-XX PLUS)**: entrée pour contact libre de potentiel. Cette entrée peut être utilisée afin de faire interagir le système d'électrolyse saline et un contrôleur externe (ORP, CHLORE RÉSIDUEL, PHOTOMÈTRE, etc.). Pour cela il suffira de relier deux fils depuis le contact libre de tension situé dans le contrôleur externe, à l'entrée correspondante **[or]** placée dans la carte de puissance du système.

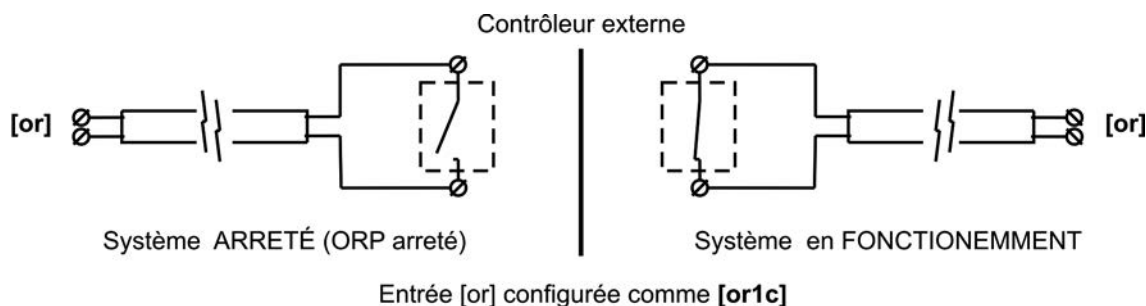


Fig. 20

#### 4.9. Mise en marche

1. S'assurer que le filtre est 100% propre, et que la piscine et l'installation ne contiennent ni cuivre, ni fer, ni algues. Tout équipement de chauffage installé doit être compatible avec la présence de sel dans l'eau.

2. Équilibrer l'eau de la piscine. Ceci nous permettra d'obtenir un traitement plus efficace avec une concentration plus faible de chlore libre dans l'eau, ainsi qu'un fonctionnement prolongé des électrodes et une moindre formation de dépôts calcaires dans la piscine.

a) Le pH doit être de 7.2-7.6

b) L'alcalinité totale doit être de 60-120 ppm.

3. Bien que le système DOMOTIC Series puisse fonctionner avec un rang de salinité de 4 - 6 g/l, il convient d'essayer de maintenir le niveau minimum de sel recommandé de 5 g/l, en ajoutant 5 Kg. pour chaque m<sup>3</sup> d'eau si l'eau ne contenait pas de sel au préalable. Toujours utiliser du sel ordinaire (chlorure de sodium), sans additifs tels que iodures ou anti-compactants, et qui soit apte à la consommation humaine. Ne jamais ajouter le sel à travers la cellule, mais directement à la piscine ou dans le vaisseau de compensation (loin du drain de la piscine).

4. Au moment d'ajouter le sel, et dans le cas où la piscine va être utilisée de façon immédiate, effectuer un traitement avec chlore. Comme dose initiale, on peut ajouter 2 g/m<sup>3</sup> d'acide trichloroisocyanurique.

5. Avant de commencer le cycle de travail, déconnecter la source d'alimentation et mettre en marche la pompe de l'épurateur pendant 24 heures pour garantir la dissolution complète du sel.

6. Ensuite, mettre en marche le système d'électrolyse saline, en situant le niveau de production de façon que le niveau de chlore libre se maintienne aux niveaux recommandés (0.5 - 1.5 ppm).

**NOTE:** pour pouvoir déterminer le niveau de chlore libre vous devrez employer un kit d'analyse.

7. Dans des piscines à forte insolation ou d'utilisation intensive, il est conseillé de maintenir un niveau de 25-30 g/m<sup>3</sup> de stabilisant (acide isocyanurique). Le stabilisant ne devra dépasser jamais les 75 g/m<sup>3</sup>. Ceci servira d'une grande aide pour éviter la destruction du chlore libre présent dans l'eau par l'action de la lumière solaire.

















5.1. **Système arrêté**

Le système entre en mode « ATTENTE » lorsque l'on appuie plusieurs fois sur la touche « ▼ » [1] jusqu'à ce que le led de « 0 % » clignote. Comme ça, il n'y a pas de production dans la cellule d'électrolyse.

Fig. 21

5.2. **Configuration du système**

Le système DOMOTIC Series peut être reconfiguré à travers d'un menu accessible depuis le panneau de commande. Pour y accéder, il convient d'arrêter le système au préalable (voir section 5.1). Une fois le système arrêté, appuyer pendant quelques secondes sur la touche « ▼ » [1] jusqu'à ce que l'écran d'information du système [11] affiche « CONF ». Pour habiliter la sélection de chacune des options de chaque menu, appuyer pendant environ 1 seconde sur la touche « SALT TEST » [9]. Une fois que le paramètre désiré a été sélectionné au moyen des touches « ▼ » [1] / « ▲ » [14], valider en appuyant à nouveau pendant une seconde sur la touche « SALT TEST » [9] (voir Fig. 23). Le processus de configuration permet d'établir les paramètres opérationnels suivants du système :

|  |  |
|--|--|
| MODÈLE   |     |
|  | <p>domotic 12      domotic 24      domotic 32      domotic 42</p>  |
| VERSION SOFTWARE                                       |   |
|  | <p>Montre la version de software (deux digits)</p>   |
| INVERSION DE POLARITÉ                                  |     |
|  | <p>Inversion toutes les 2 heures <sup>(2)</sup>    Inversion toutes les 3 heures    Inversion toutes les 2 minutes <sup>(1)</sup></p>  |
| CONTRÔLE DE NIVEAU DE SORTIE AVEC COUVERTURE FERMÉE    |  |
|  | <p><sup>(2)</sup><br/>Le système peut être configuré pour fournir une sortie à cellule dans le rang 10... 90% de sa capacité nominale quand la couverture de la piscine est fermée.</p>  |
| ACTIVATION ENTRÉE CONTRÔLE COUVERTURE                  |    |
|  | <p>Désactivé      Entrée activée quand contact fermé <sup>(2)</sup>    Entrée activée quand contact ouvert</p>   |
| ACTIVATION ENTRÉE CONTRÔLE ORP/CHLORE RÉSIDUEL         |    |
|  | <p>Desactivé (MANUEL) <sup>(2)</sup>      Système d'électrolyse active quand contact fermé (AUTO) <sup>(3)</sup></p>   |
| ACTIVATION DÉTECTEUR GAZ                               |    |
|  | <p>Désactivé      Système d'électrolyse active avec détecteur submergé <sup>(2)</sup></p>  |
| ACTIVATION DÉTECTEUR DÉBIT EXTERNE (INTERRUPTEUR FLUX) |    |
|  | <p>Désactivé <sup>(2)</sup>      Système d'électrolyse activé quand contact fermé</p>  |

<sup>(1)</sup> **ATTENTION:** utiliser ce mode uniquement pour les tâches de vérification et pendant des laps de temps très courts, vu que cela pourrait endommager les électrodes. L'appareil sort du mode test après s'avoir arrêté le système.  
<sup>(2)</sup> Valeurs par défaut.  
<sup>(3)</sup> Valeur par défaut dans des modèles DOM-XX PLUS.

Fig. 22

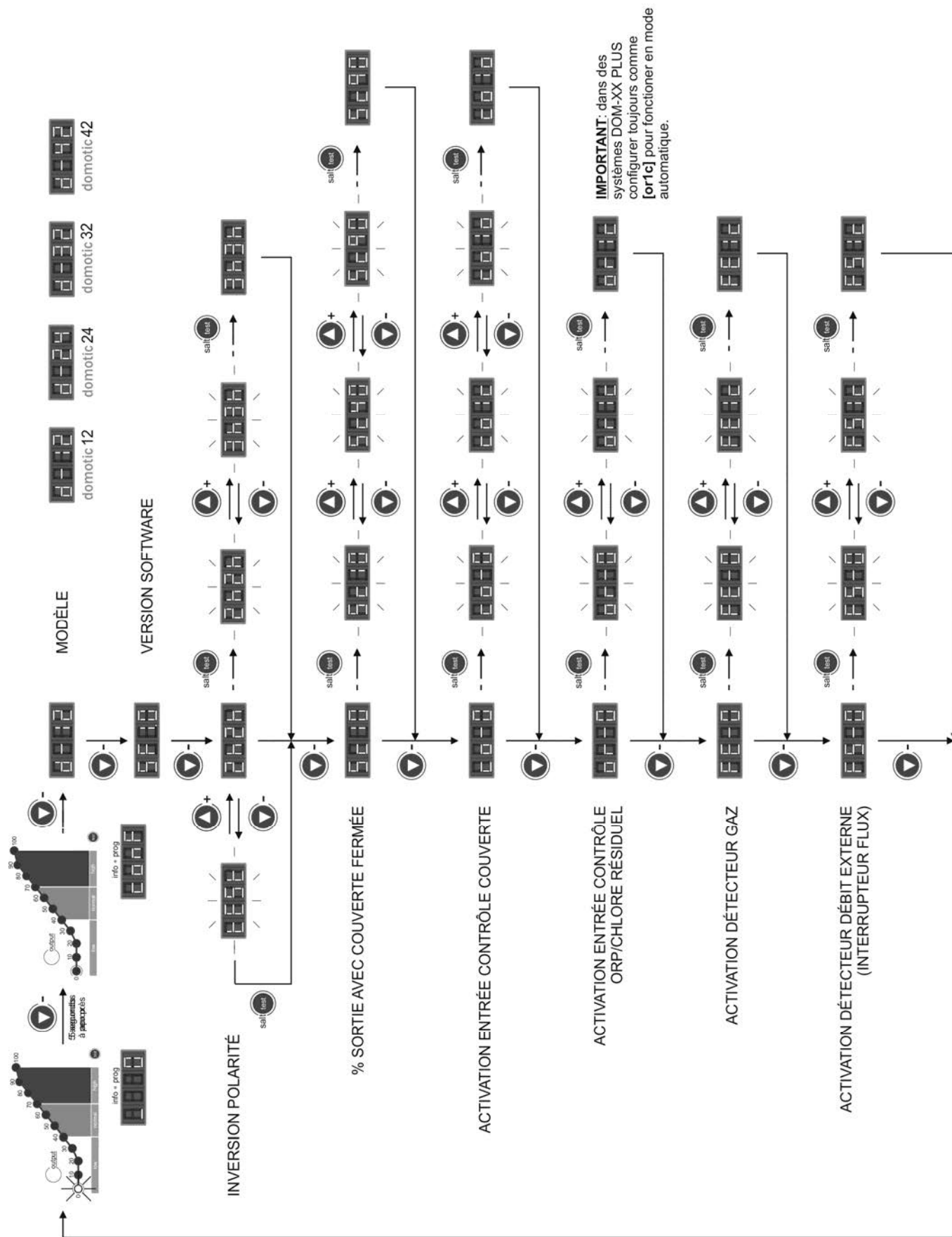


Fig. 23 Diagramme de flux de programmation du système

### 5.3. Sélection du niveau de production

Pour sélectionner le niveau de production désiré, appuyer plusieurs fois sur les touches « ▼ » [1] / « ▲ » [14] jusqu'à ce que le led correspondant au niveau de production désiré clignote. L'écran d'information du système [11] indiquera la valeur correspondant au led de l'échelle de production [4]. Après quelques secondes, le système situera sa production au niveau sélectionné.

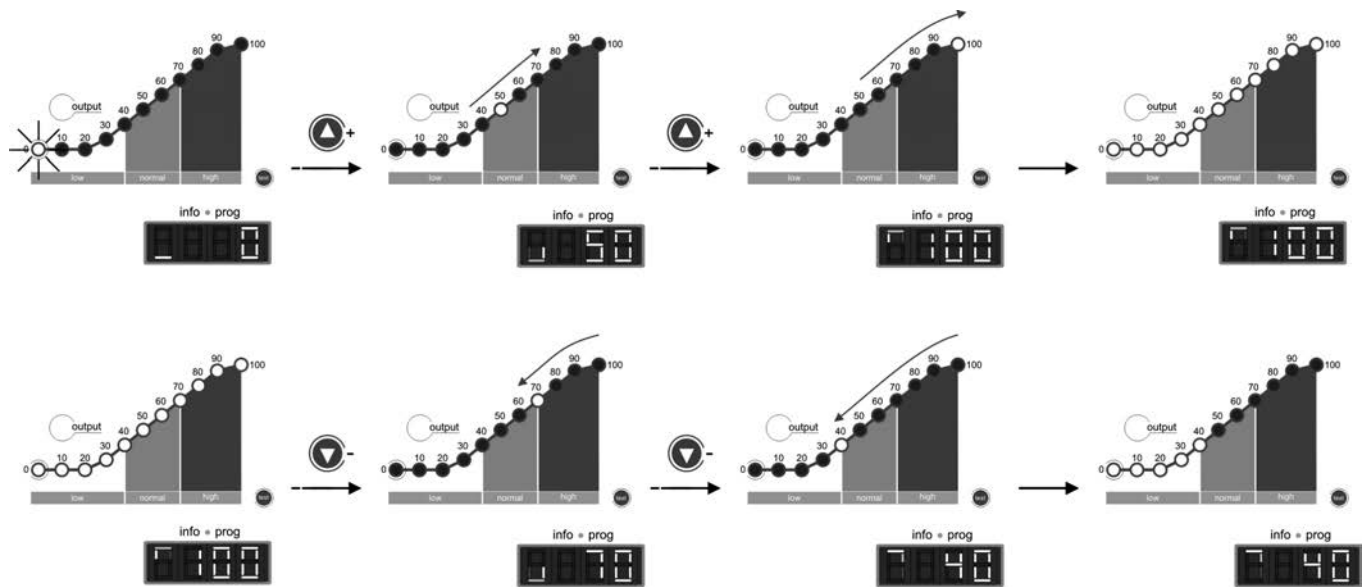


Fig. 24

En conditions normales, la valeur de production [4] devra coïncider avec la valeur programmée. Néanmoins, dans le cas où le niveau de sel de l'eau se situerait hors rang (alarmes de « HIGH SALT » [7] ou « LOW SALT » [6] activées), ou en cas de problème dans la cellule d'électrolyse (alarme « CELL » [13] activée), la valeur de production atteinte [4] pourrait être inférieure à la valeur programmée et affichée sur l'écran [11].

❄ **Mode HIVER:** pendant des périodes de basse température dans l'eau choisir un niveau de production [1] compris entre le 50-60%.

### 5.4. Test de salinité

Les systèmes DOMOTIC Series disposent d'un système intégré pour détecter le niveau de salinité de l'eau de la piscine. Pour effectuer ce test, appuyer sur la touche « SALT TEST » [9]. Pendant la réalisation du test, le led d'indication de production oscille dans le rang 20%-80% de l'échelle de salinité [5], et l'écran d'information du système [11] affichera alternativement le texte « SALT » et « TEST ». Une fois le test terminé, le led clignotera pendant quelques secondes sur l'échelle [5], à la valeur de salinité détectée (voir Fig. 25). Après quelques secondes, l'équipement reviendra à son mode de fonctionnement normal.

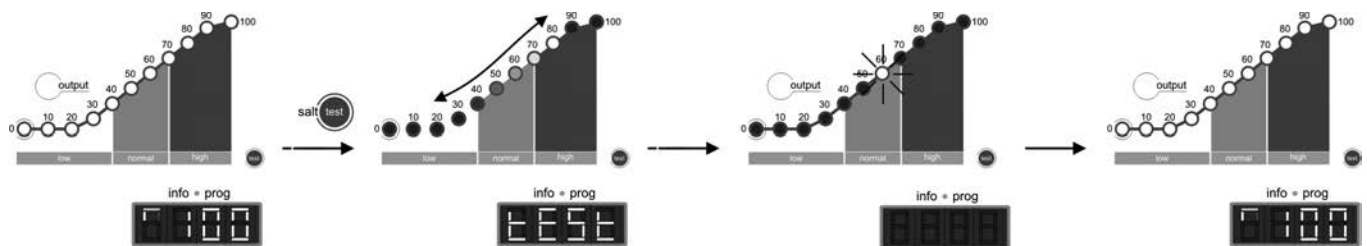


Fig. 25

#### **AVERTISSEMENT:**

1. Il est possible que le système indique des niveaux de sel inférieurs aux niveaux réels si la température est inférieure à 20°C.
2. Le test de salinité ne fonctionne pas lorsque le système est arrêté par contrôle de ORP ou alarme de débit.



**5.5. Contrôle pH / ORP intégré (modèles DOM-XX PH et DOM-XX PLUS)**

Le contrôleur de pH / ORP intégré est calibré dans le processus de fabrication avec les paramètres de programmation suivants.

SET-POINT pH= « 7.2 » / ORP= « 700 mV »

**IMPORTANT:** pour obtenir un réglage correct du pH, l'alcalinité de l'eau doit être dans le rang optimal recommandé de 60-120 ppm de CaCO<sub>3</sub>. Utilisez un kit pour vérifier le niveau d'Alcalinité Totale de l'eau, et ajustez manuellement si c'était nécessaire.

**5.5.1. CONNEXION DE LES SONDES DE PH/ORP**

Connectez les sondes de pH /ORP fournis avec l'unité aux connecteurs BNC correspondants situés sur la base de l'unité (Fig. 26).

**5.5.2. CONNEXION DE LA POMPE DE DOSAGE**

Les systèmes DOMOTIC Series (modèles DOM-XX PH et DOM-XX PLUS) disposent d'un connecteur sur sa base pour la connexion d'une pompe de dosage pour le contrôle de pH de l'eau de la piscine. La pompe de dosage peut être connectée au moyen du connecteur CEE22 fourni à cet effet avec l'équipement (Fig. 26).

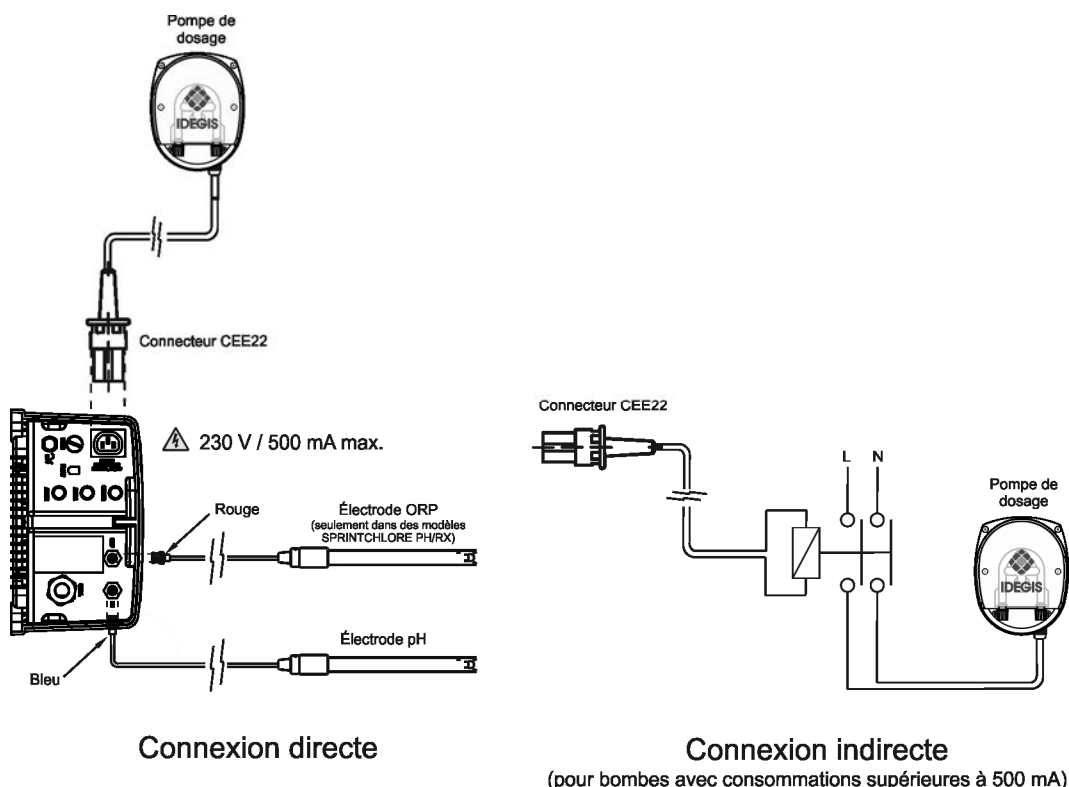


Fig. 26

**5.5.3. PROGRAMMATION DE LA VALEUR DE PH**

Maintenir appuyée la touche « SET » [20] jusqu'à ce que l'écran [18] indique la valeur de pH désiré dans le rang 7.0 - 7.8. Une fois la valeur sélectionnée, relâcher la touche.

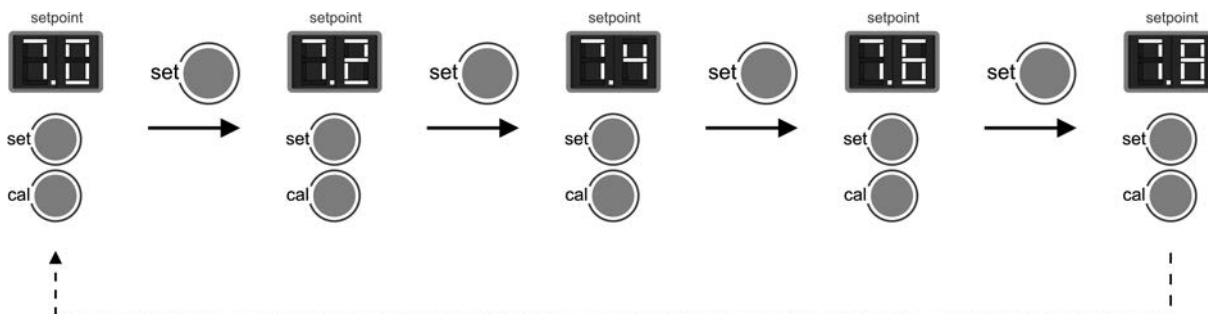


Fig. 27

#### 5.5.4. PROGRAMMATION DE LA VALEUR DE ORP (seulement dans des modèles DOM-XX PLUS)

Maintenir appuyée la touche « SET » [26] jusqu'à ce que l'écran [24] indique la valeur de ORP désiré dans le rang 600-850 mV . Une fois la valeur sélectionnée, relâcher la touche.

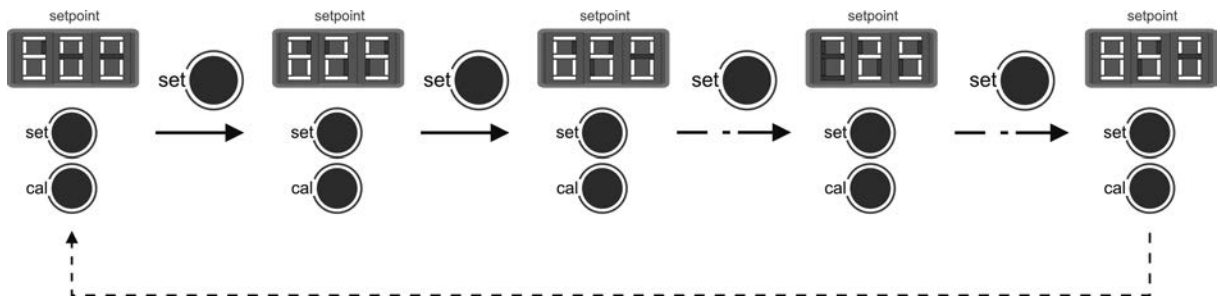


Fig. 27b.

#### 5.5.5. CONFIGURATION DE L'ARRÊT DE SÉCURITÉ DE LA POMPE DE DOSAGE (FONCTION PUMP-STOP)

Le contrôleur de pH intégré dispose d'un système de sécurité (FONCTION PUMP-STOP) qui agit sur la pompe de dosage, ce qui permet d'éviter les situations suivantes :

- Dommages causés par le fonctionnement de la pompe a vide (produit pH minus épuisé).
- Surdosage de produit de minoration de pH (Sonde endommagée ou épuisée).
- Problèmes de régulation du pH du a une alcalinité élevée dans l'eau (remplissage de la piscine, niveaux de carbonates élevés).

Lorsque la FONCTION PUMP-STOP est activée (configurée par défaut), le système détiendra la pompe doseuse une fois écoulé le temps programmé sans pour autant avoir atteint le niveau de consigne programmé.

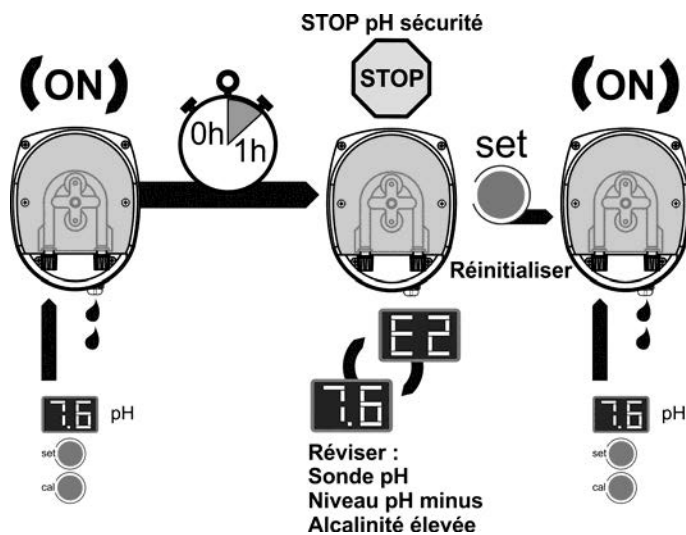


Fig. 27c.

La FONCTION PUMP-STOP est configurée sortie d'usine à 60 MINUTES. Pour modifier cette valeur, réaliser la procédure suivante:

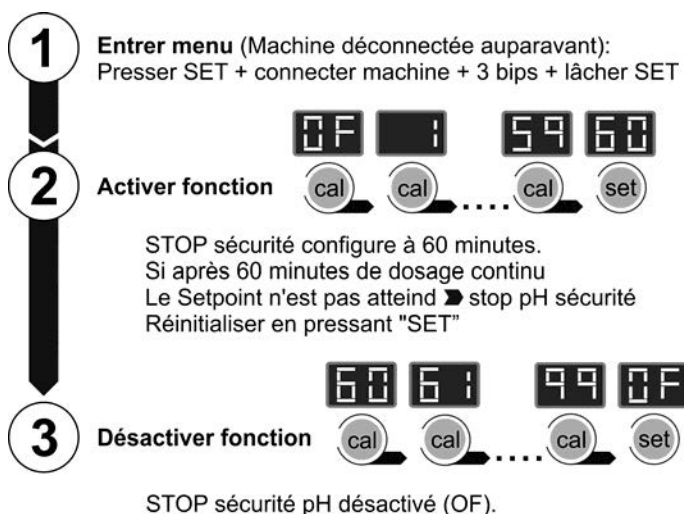


Fig. 27d.

**5.6. ALARMES**

• **HAUT NIVEAU DE SEL**

Dans le cas où l'on aurait ajouté trop de sel, la source d'alimentation diminuera automatiquement le niveau de production par rapport au niveau sélectionné. Le led « **HIGH SALT** » [7] restera illuminé. Dans ce cas, vider une partie de la piscine (par exemple, environ un 10%), et ajouter de l'eau fraîche pour diminuer la concentration de sel. Pour une connaissance précise du niveau de sel, nous recommandons d'utiliser un appareil de mesure portable de salinité-température.

• **FAIBLE NIVEAU DE SEL**

Dans le cas où le niveau de sel dans l'eau de la piscine serait inférieur au niveau recommandé, la source d'alimentation ne pourra pas atteindre le niveau de sortie sélectionné. Le led « **LOW SALT** » [6] restera illuminé. Dans ce cas, déterminer le niveau de salinité de l'eau et ajouter la quantité de sel nécessaire. Le type de sel commun (NaCl) indiqué pour électrolyse saline ne doit pas présenter d'additifs (antiagglomérants, iodures) et doit être apte à la consommation humaine. Il est possible que le système indique un niveau de sel bas si la température est inférieure à 20°C. Pour une connaissance précise du niveau de sel, nous recommandons d'utiliser un appareil de mesure portable de salinité-température.

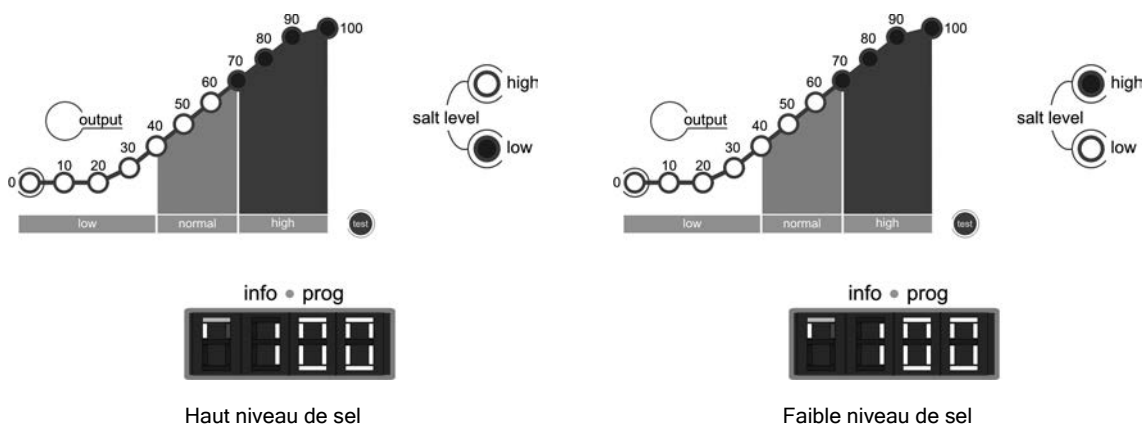
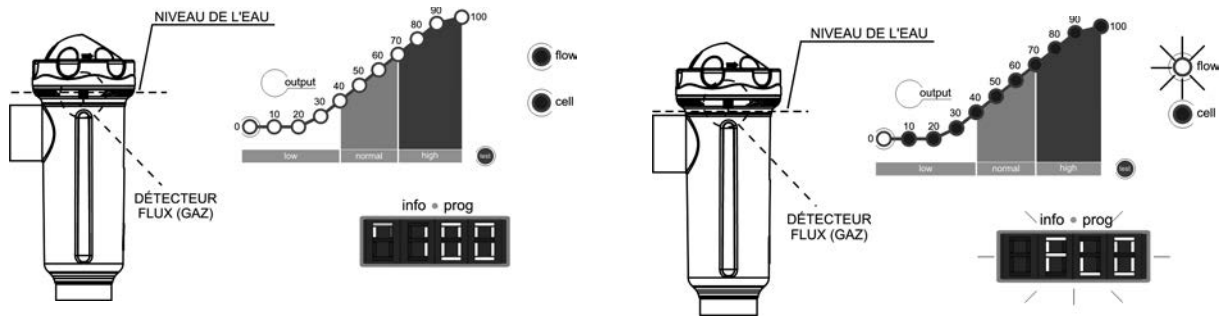


Fig. 28

- **NIVEAU D'EAU EN CELLULE/DÉTECTEUR DÉBIT (GAZ)**

S'il apparaît une bulle d'air ou gaz dans la partie supérieure de la cellule d'électrolyse et le DÉTECTEUR DE FLUX n'est pas immergé, le système arrêtera automatiquement la production, le led « **FLOW** » [12] clignotera et en plus le message « **FLO** » s'affichera sur l'écran d'information du système [11]. Le système se réarme automatiquement une fois que le passage de l'eau est rétabli dans la cellule ou que la bulle est évacuée.



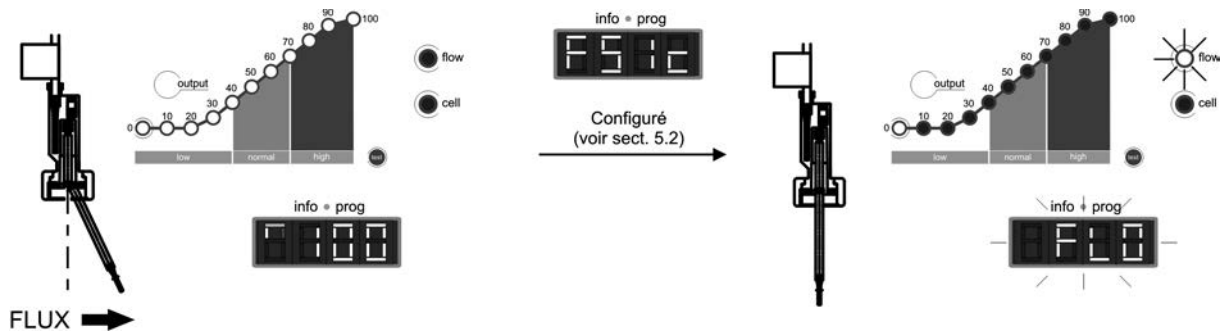
1. Détecteur de gaz immergé. Système opérationnel.

2. Gaz détecté. Flux insuffisant. Système arrêté.

Fig. 29

- **DÉTECTEUR DÉBIT EXTERNE / INTERRUPTEUR FLUX OPTIONNEL (non compris dans l'équipement)**

Si durant le processus de configuration du système (section 5.2) l'entrée pour l'interrupteur de flux externe, le système déconnectera automatiquement la production, le led « **FLOW** » [12] clignotera, et de plus le message « **FLO** » s'affichera sur l'écran d'information du système [11]. Le système se réarme automatiquement une fois que le passage de l'eau est rétabli dans l'interrupteur de flux.



1. Détecteur de flux activé (contact fermé). Système opérationnel.

2. Détecteur de flux au repos (contact ouvert). Système arrêté.

Fig. 30

• **ÉLECTRODES**

Le système DOMOTIC Series dispose d'un led d'indication de fonctionnement défectueux des électrodes de la cellule d'électrolyse [13]. Ce mauvais fonctionnement est normalement dû au processus de passivation des électrodes une fois qu'elles ont atteint la fin de leur durée de vie utile. Néanmoins, et bien qu'il s'agisse d'un système autonettoyant, ce mauvais fonctionnement pourrait aussi être dû à la formation excessive d'incrustations sur les électrodes si l'on fait fonctionner le système dans des eaux de grande dureté et à pH élevé.

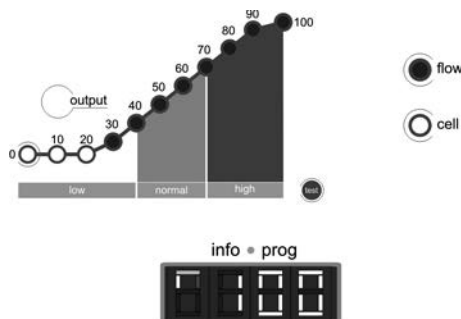


Fig. 31A

• **TEMPS DE FONCTIONNEMENT (version du firmware 3.3.0 et suivantes)**

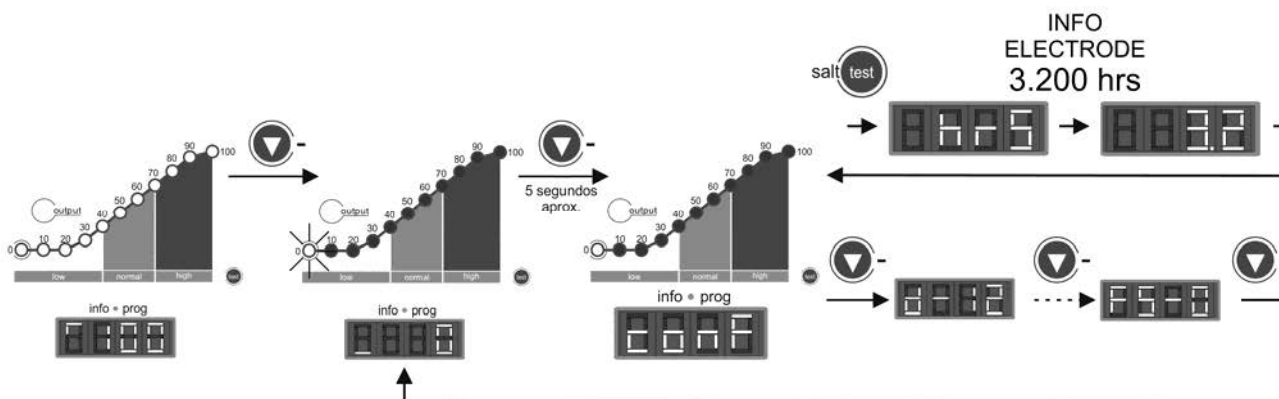


Fig. 31B

• **VALEUR PH / ORP HORS DE RANG (seulement dans des modèles DOM-XX PH et DOM-XX PLUS)**

Le contrôleur de pH/ORP intégré dispose de deux leds ALARME, qui s'illuminent toujours dans le cas de détection d'une valeur anormale de pH inférieure à 6.5 « LOW » [19] ou supérieure à 8.5 « HIGH » [16], ou d'ORP hors du rang 600 mV « LOW » [25] - 850 mV « HIGH » [22] Lorsque le régulateur détecte une alarme de PH active, il ouvre la sortie de contrôle de la pompe de dosage (pH) qui restera arrêtée par sécurité.

## 6. ENTRETIEN:

### 6.1. Entretien de la cellule d'électrolyse

La cellule doit se maintenir dans des conditions adéquates pour assurer une longue durée de fonctionnement. Le système d'électrolyse saline dispose d'un système de nettoyage automatique des électrodes qui évite la formation d'incrustations calcaires et c'est pourquoi, en principe, il ne sera pas nécessaire les nettoyer. Cependant, si le nettoyage à l'intérieur de la cellule est nécessaire, procédez de la manière suivante :

1. Débrancher l'alimentation 230 Vac du système.
2. Dévisser l'écrou de fermeture situé aux extrémités où se trouvent les électrodes, et extraire le paquet d'électrodes.
3. Utiliser une solution diluée d'acide chlorhydrique (une dose d'acide dans 10 doses d'eau), en submergeant le paquet d'électrodes dans celle-ci pendant 10 minutes maximum.
4. NE JAMAIS GRATTER OU BROSSER LA CELLULE OU LES ELECTRODES.

Il faut tenir compte du fait que les électrodes d'un système d'électrolyse saline sont constituées de lames de titane recouvertes d'une couche d'oxyde de métaux nobles. Les procédés d'électrolyse qui ont lieu sur sa surface produisent son usure progressive. Afin d'optimiser le temps de durée des électrodes il est important de tenir en compte les aspects suivants:

1. Bien qu'il s'agisse de systèmes d'électrolyse saline AUTONETTOYANTS, un fonctionnement prolongé du système avec des valeurs de pH supérieures à 7,6 dans des eaux d'une dureté élevée peut produire l'accumulation de dépôts calcaires sur la surface des électrodes. Ces dépôts détérioreront progressivement le recouvrement, occasionnant une diminution de son temps de vie utile.
2. Ne pas effectuer trop fréquemment des lavements du paquet d'électrodes comme ceux décrits antérieurement.
3. Le fonctionnement prolongé du système à des salinités inférieures à 3 g/l occasionne une détérioration prématurée des électrodes.
4. L'utilisation fréquente de produits algicides à contenus élevés en cuivre peut provoquer un dépôt de celui-ci sur les électrodes, détériorant progressivement le recouvrement. Pensez que le meilleur algicide c'est le chlore.

### 6.2. Calibrage de la sonde de pH (seulement dans des modèles DOM-XX PH et DOM-XX PLUS)

Le contrôleur de pH intégré dispose de deux modes de calibrage de la sonde de pH : «FAST» (rapide) et «STANDARD». Nous recommandons de l'effectuer au moins une fois par mois pendant à l'utilisation de la piscine.

#### 6.2.1. MODE « FAST »

Le MODE « FAST » permet le calibrage courant de la sonde face à de petites déviations **sans avoir besoin d'extraire de la sonde de l'installation ni l'utilisation de solutions de calibrage.**

#### PROCÉDURE:

1. Être assuré que le point où est insérée la sonde est inondé, et la pompe est reliée.
2. Au moyen d'un kit de mesure de pH, mesurer le pH actuel de l'eau de la piscine.
3. Appuyer sur la touche « CAL » [17] pendant environ 5 sec. jusqu'à ce que l'équipement émette un sifflement et relâcher la touche. L'écran d'affichage de pH [18], indiquera « 7.0 » en clignotant.
4. Maintenir par pulsation la touche « SET » [20] jusqu'à ce qu'apparaisse la valeur de pH mesuré dans l'eau précédemment au moyen du kit correspondant. Une fois atteint, relâcher et pousser la touche « CAL » [17]. Si aucune erreur n'est détectée, le système a été calibré correctement.

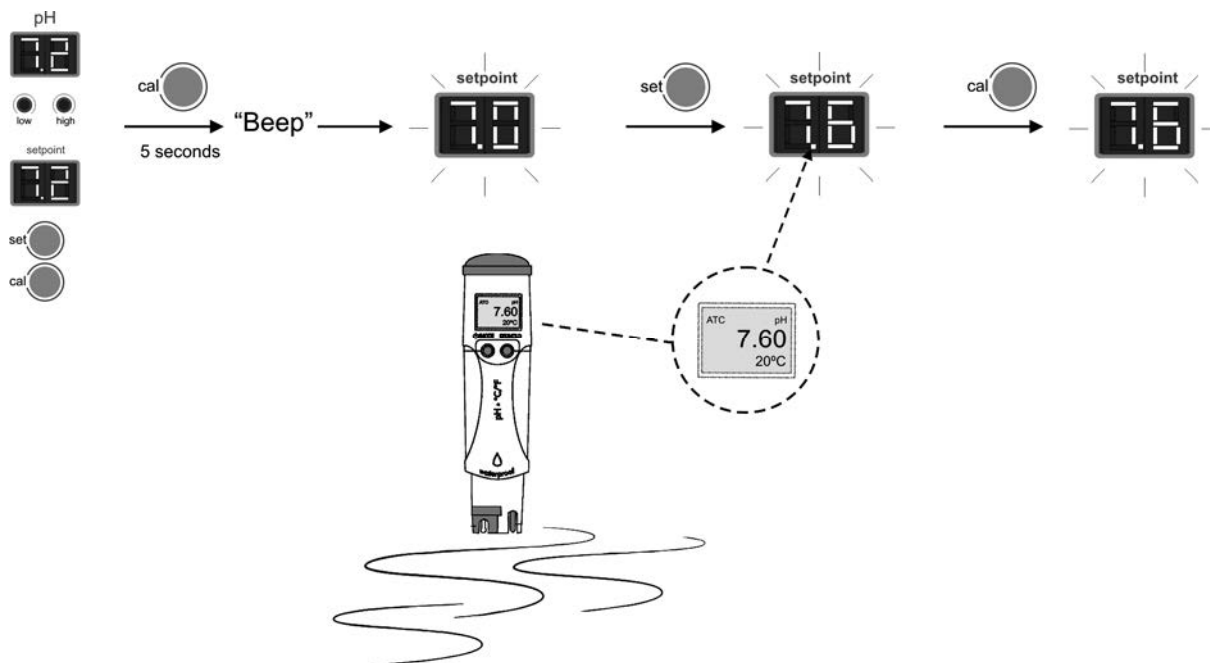


Fig. 32

### 6.2.2. MODE « STANDARD »

Le MODE « **STANDARD** » permet le calibrage nécessaire de la sonde par l'emploi de deux dissolutions de pH 7.0 et 4.0, il requiert toutefois **l'extraction de la sonde de l'installation.**

#### PROCÉDURE:

**IMPORTANT:** avant de la fermeture des valves du by-pass, arrêter le système dans le panneau de contrôle (voir Section 5.1).

1. Extraire la sonde du porte-sondes et le laver avec de l'eau abondante.



Fig. 33

2. Appuyer sur la touche « **CAL** » [17] jusqu'à ce que l'équipement émette un sifflement, et sans relâcher cette touche, appuyez sur la touche « **SET** » [20] pendant quelques secondes, jusqu'à ce que l'écran d'affichage de pH [15] indique « **7.0** » en clignotant.
3. Agiter doucement la sonde pour enlever les gouttes d'eau qui pourraient y être adhérentes et l'introduire dans la solution de référence pH=7.0 (couleur verte). Agiter doucement pendant quelques secondes et appuyer sur la touche « **CAL** » [17]. Une fois la lecture stabilisée, l'indication « **4.0** » clignotera sur l'écran. [15].

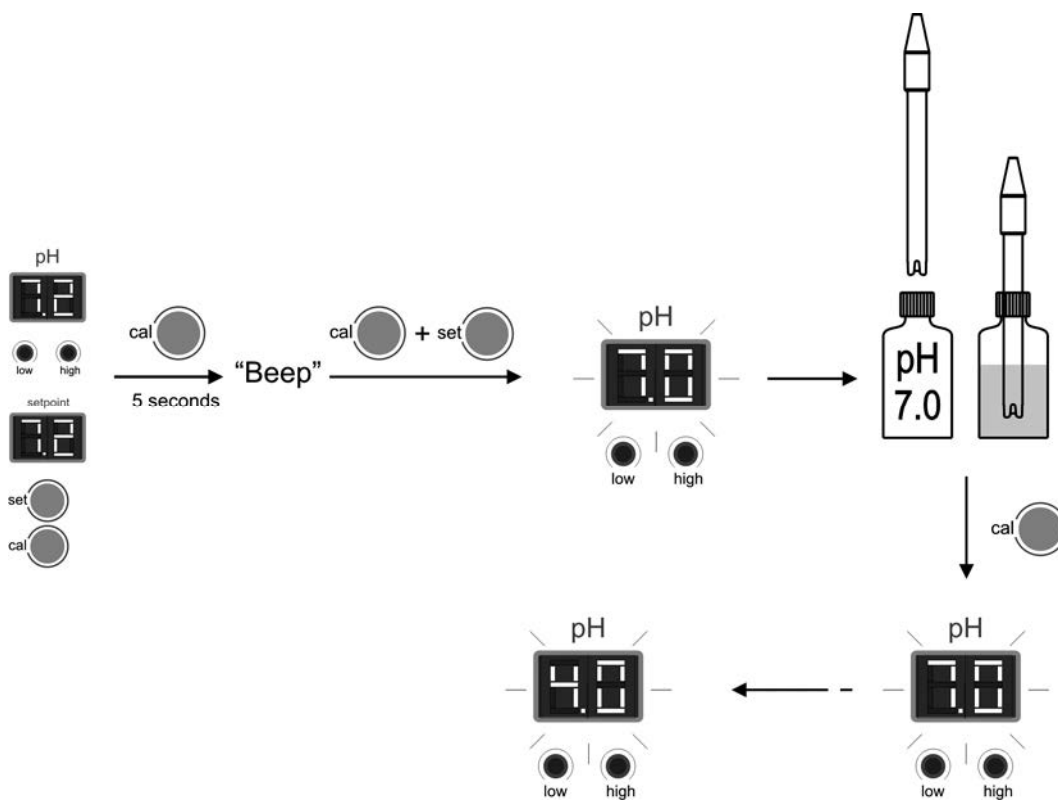


Fig. 34

4. Extraire la sonde de la dissolution et la rincer abondamment avec de l'eau.
5. Agiter doucement la sonde pour détacher les gouttes d'eau qui pourraient être adhérentes à ce dernière et l'introduire dans la dissolution de calibrage pH=4.0 (couleur rouge). Agiter doucement quelques secondes et pousser « **CAL** » [17]. Une fois stabilisée la lecture, le contrôleur sortira automatiquement du mode de calibrage et sera opérationnel.

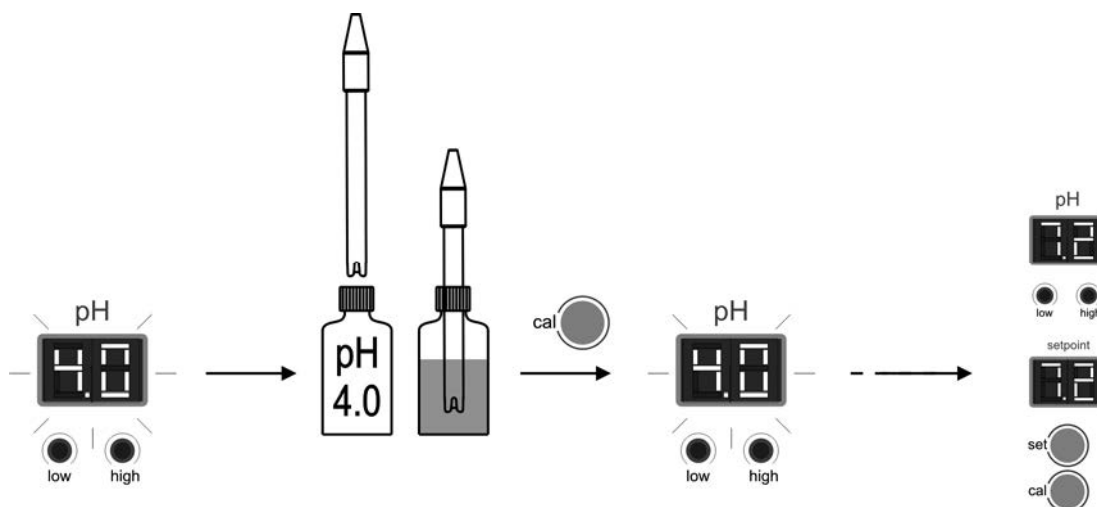
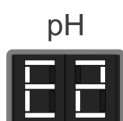


Fig. 35

**MESSAGES D'ERREUR:**



Si la procédure de calibrage est interrompue pour n'importe quel motif, le contrôleur sortira automatiquement du mode calibrage passé quelques secondes sans qu'on détecte l'intervention de l'utilisateur. Dans ce cas, apparaîtra pendant un moment l'indication « E1 » dans l'écran [15].



Si la mesure de pH détecté pendant le calibrage est très différente à celle attendue (sonde défectueuse, etc.), l'écran [15] indiquera « E2 ». Le calibrage de la sonde ne sera pas possible.



Si la mesure de pH est instable pendant la procédure de calibrage, apparaîtra le code « E3 » sur l'écran [15]. De même, le calibrage de la sonde ne sera pas possible.

**6.3. Calibrage de la sonde d'ORP (seulement dans des modèles DOM-XX PLUS)**

La fréquence de calibrage de l'équipement devra concrètement être déterminée dans chaque application. Cependant, nous recommandons de l'effectuer au moins, une fois par mois pendant à l'époque d'utilisation de la piscine. Le contrôleur d'ORP dispose d'un système de calibrage automatique des sondes d'ORP par l'emploi d'une dissolution standard de 470 mV.

**PROCÉDURE:**

**IMPORTANT :** avant de la fermeture des vannes du by-pass, arrêter le système dans le panneau de contrôle (voir Section 5.1).

1. Extraire la sonde du raccord et le laver avec de l'eau abondante.

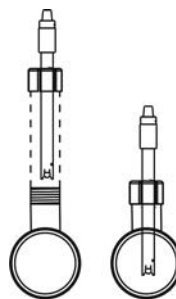


Fig. 36

2. Pousser la touche « CAL » [23] pendant quelques secondes, jusqu'à ce que le écran d'indication de ORP [24] clignote et indique « 470 ».
3. Agiter doucement la sonde pour détacher les gouttes d'eau qui pourraient être adhérentes à ce dernier et l'introduire dans la dissolution de calibrage (470 mV). Agiter doucement quelques secondes et pousser « CAL » [23]. Si le processus a conclu



d'une manière satisfaisante, une allongé « beep » sera écouté et le contrôleur sera calibré et préparé pour fonctionner.

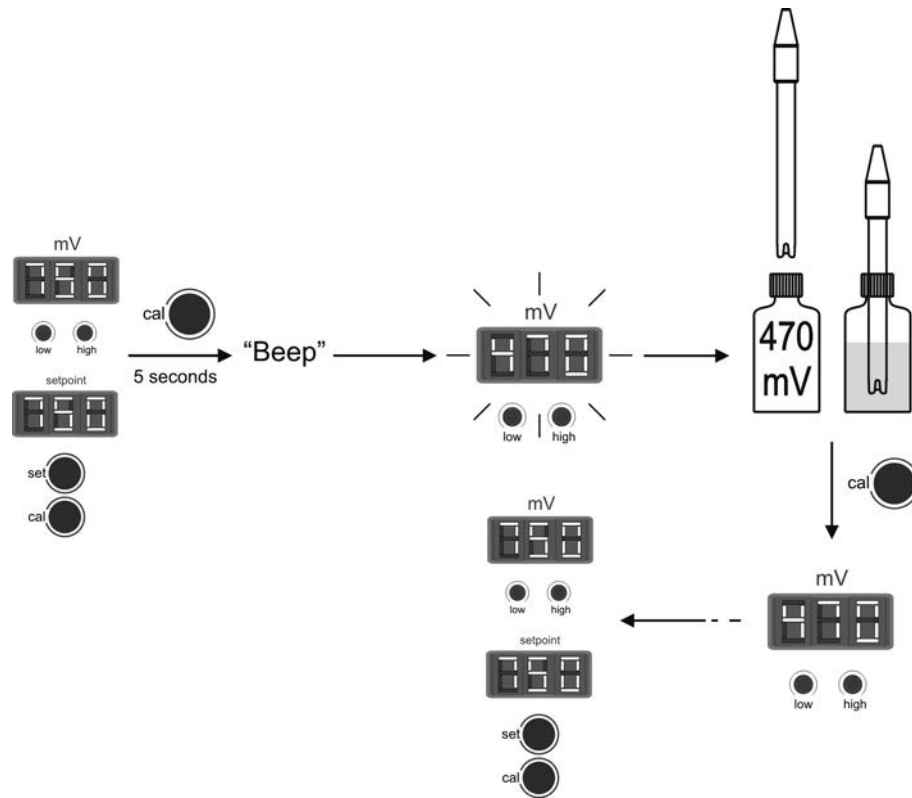
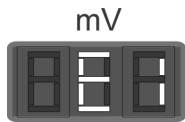
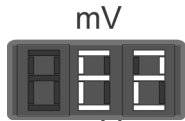


Fig. 37

MESSAGES D'ERREUR:



Si la procédure de calibrage est interrompu pour tout motif, le contrôleur sortira automatiquement du mode calibrage passé quelques secondes sans qu'on détecte l'intervention de l'utilisateur. Dans ce cas, apparaîtra pendant un moment l'indication « E1 » dans le écran [20].



Si la mesure d'ORP détecté pendant le calibrage est très différente à celle attendue (sonde défectueuse, etc.), le écran [20] indiquera « E2 ». Le calibrage de la sonde ne sera pas possible.



Si la mesure d'ORP est instable pendant le procédure de calibrage, apparaîtra le code « E3 » dans le écran [20]. De même, le calibrage de la sonde ne sera pas possible.

**6.4. Entretien des sondes de pH/ORP**

1. Vérifier que la membrane de la sonde reste à tout moment humide.
2. Si la sonde n'est pas utilisée pendant une longue période, préservez la submergé dans une dissolution de conservation à pH=4.0.
3. Pour nettoyer la sonde de toute saleté, éviter d'utiliser des matériaux abrasifs qui peuvent rayer la surface de mesure.
4. **Les sondes de pH/ORP sont une partie consommable et aura besoin d'être remplacée passé un temps d'opération.**

## 7. SOLUTION DE PROBLÈMES:

Il faut toujours débrancher l'appareil du réseau électrique avant d'entreprendre toute action requise pour y solutionner de possibles problèmes. Tout problème qui n'est pas envisagé dans la liste suivante devra être résolu par un technicien agréé d'IDEGIS.

| PROBLÈME   | SOLUTION   |
|--|--|
| <p><b>L'indicateur de production indique toujours « 0 » dans tout niveau de production choisi.</b></p> | <p>Vérifier l'état des électrodes.</p> <p>Vérifier les connexions électriques entre la source d'alimentation et la cellule d'électrolyse.</p> <p>Vérifier la concentration de sel.</p>   |
| <p><b>La source d'alimentation ne se connecte pas</b></p>  | <p>Vérifier que le système est convenablement alimenté à 230 V/ 50-60 Hz depuis le cadran de manoeuvre de l'épurateur.</p> <p>Vérifier l'état du fusible situé sur la partie inférieure de la source d'alimentation.</p>   |
| <p><b>Le niveau de chlore dans la piscine est faible.</b></p>  | <p>Vérifier que le système produit du chlore dans le retour de la piscine.</p> <p>Vérifier que les paramètres chimiques de l'eau (pH, chlore combiné, acide isocyanurique) sont corrects.</p> <p>Augmenter le temps de filtration</p> <p>Ajouter stabilisant (acide isocyanurique) jusqu'à atteindre une concentration de 25-30 g./m<sup>3</sup>.</p>  |
| <p><b>Le contrôleur pH/ORP indique toujours valeurs extrêmes, ou les lectures sont instables.</b></p>  | <p>La connexion du câble à la sonde est endommagée. Nettoyer les contacts ou remplacer le câble</p> <p>La sonde a une bulle d'air dans la zone de la membrane. Placer la sonde en position verticale. Agiter doucement jusqu'à ce que la bulle se déplace vers le haut.</p> <p>Sonde défectueuse. Le câble de connexion est trop long ou est trop près de sources d'interférence électromagnétique (moteurs, etc.). Remplacer par une nouvelle sonde. Situer l'équipement plus près de la sonde.</p> |
| <p><b>Impossible calibrer la sonde de pH/ORP</b></p>   | <p>Dissolution de calibrage en mauvais état.</p> <p>Membrane de la sonde bloquée. Vérifier que la membrane ne soit pas endommagée Nettoyer la sonde avec acide dilué dans en eau, agitant légèrement.</p> <p>Sonde défectueuse. Remplacer par une nouvelle sonde.</p>  |
| <p><b>Réponse lente de la sonde</b></p>  | <p>Sonde avec charge électrostatique. Pendant la phase de calibrage, les sondes ne doivent être séchées avec un chiffon. Nettoyer exclusivement avec de l'eau et agiter doucement.</p> <p>Rénovation insuffisante de l'eau analysée (débit nul par le point d'échantillon). Être assuré que dans le point de mesure de la sonde, il existe un niveau d'eau suffisant et aucune bulle.</p>  |

## 8. CARACTERISTIQUES TECHNIQUES:

### SPÉCIFICATIONS TECHNIQUES:

#### Tension de service standard

230V AC - 50/60 Hz.  
Câble: 3 x 1,0 mm<sup>2</sup>, long. 2 m.  
Domotic Series 12 0.36 A  
Domotic Series 24 0.72 A  
Domotic Series 32 0.89 A  
Domotic Series 42 0.89 A

#### Fusible

Domotic Series 12 2A T (5x20 mm)  
Domotic Series 24 3.15A T (5x20 mm)  
Domotic Series 32 4A T (5x20 mm)  
Domotic Series 42 4A T (5x20 mm)

#### Voltage sortie

8 - 9 V DC (24 V DC DOM40)  
Câble 3 x 4 mm<sup>2</sup>, long. 2 m.  
Domotic Series 12 12 A (2x6 A)  
Domotic Series 24 24 A (2x12 A)  
Domotic Series 32 32 A (2x16 A)  
Domotic Series 42 42 A (6x7 A)

#### Production

Domotic Series 12 10 - 12 g./h.  
Domotic Series 24 20 - 24 g./h.  
Domotic Series 32 25 - 32 g./h.  
Domotic Series 42 34 - 42 g./h.

#### Débit recirculation minimum

Domotic Series 12 2 m<sup>3</sup>/h.  
Domotic Series 24 4 m<sup>3</sup>/h.  
Domotic Series 25 6 m<sup>3</sup>/h.  
Domotic Series 42 8 m<sup>3</sup>/h.

#### Nombre électrodes

Domotic Series 12 5  
Domotic Series 24 7  
Domotic Series 32 7  
Domotic Series 42 13

#### Poids net (emballage compris)

Domotic Series 12 11 Kg.  
Domotic Series 24 13 Kg.  
Domotic Series 32 15 Kg.  
Domotic Series 42 17 Kg.

### CARACTÉRISTIQUES GÉNÉRALES:

#### Système de contrôle

- Microprocesseur.
- Clavier de membrane avec des touches de contrôle et leds indicateurs de fonctionnement.
- E/S de contrôle: 3 entrées (type contacte libre de potentiel) pour l'interrupteur flux, l'état de la couverture automatique et le contrôleur d'ORP / chlore résiduel.
- Sortie cellule: contrôle de production (11 niveaux discrets).
- Contrôleur pH intégré (seulement dans les modèles DOM-XX PH et DOM-XX PLUS).
- Contrôleur ORP intégré (seulement dans les modèles DOM-XX PLUS).

#### Auto-nettoyage

Inversion de polarité automatique.

#### Température de travail

De 0°C à +40°C  
Réfrigération: convection naturel

#### Matériel

Source d'alimentation / Terminal de contrôle  
o ABS  
Cellule d'électrolyse et porte-sondes  
o Métacrylate transparent

#### Sonde pH (modèles DOM-XXPH et DOM-XX PLUS)

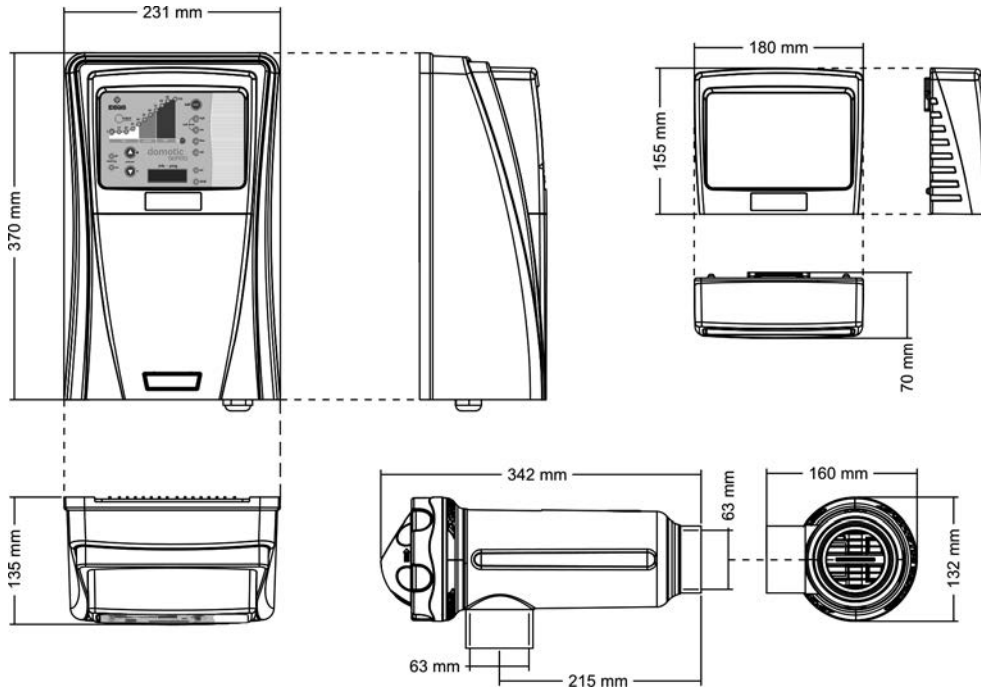
Corps: plastique (couleur bleue)  
Rang: 0 -12 pH  
Électrolyte solide

#### Sonde ORP (modèles DOM-XX PLUS)

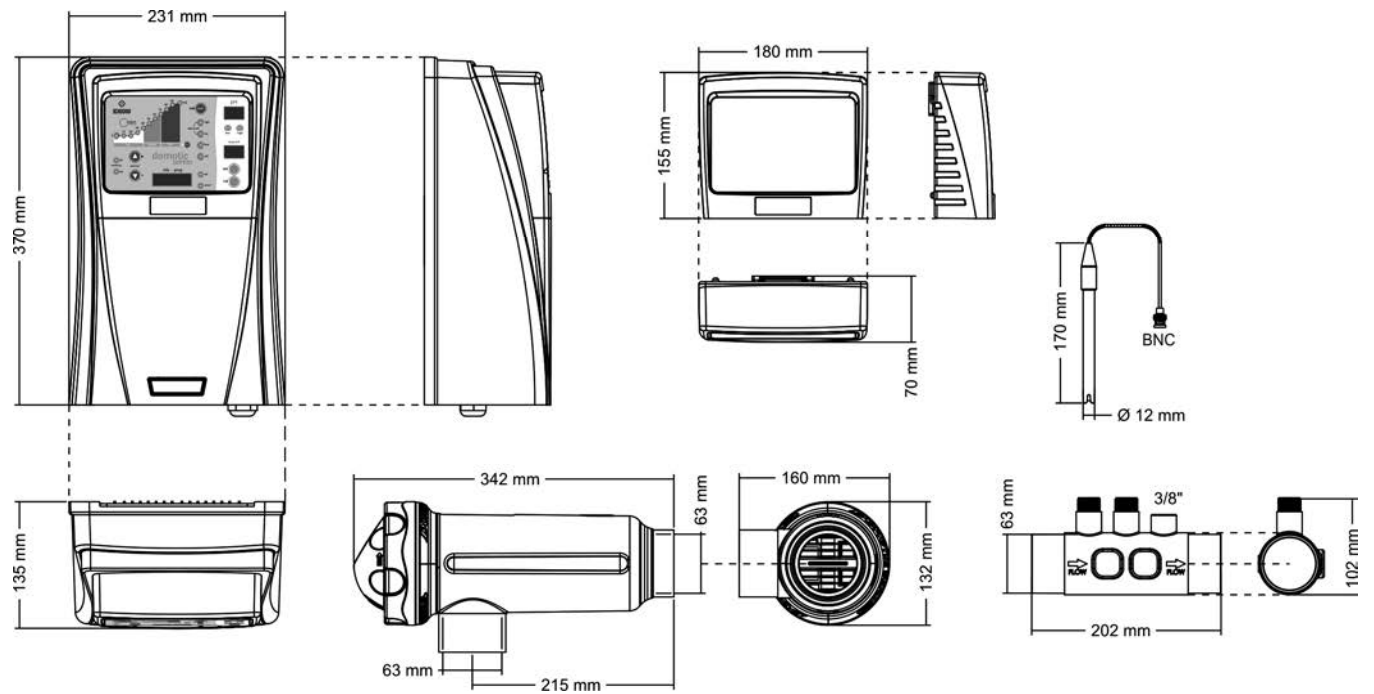
Corps: plastique (couleur rouge)  
Rang: 0 - 1000 mV  
Électrolyte solide

## Dimensions

### DOMOTIC (modèles DOM-XX)



### DOMOTIC-PH / DOMOTIC-PLUS (modèles DOM-XX PH / DOM-XX PLUS)



## 9. CARACTERISTIQUES TECHNIQUES:

### 9.1 ASPECTS GÉNÉRAUX

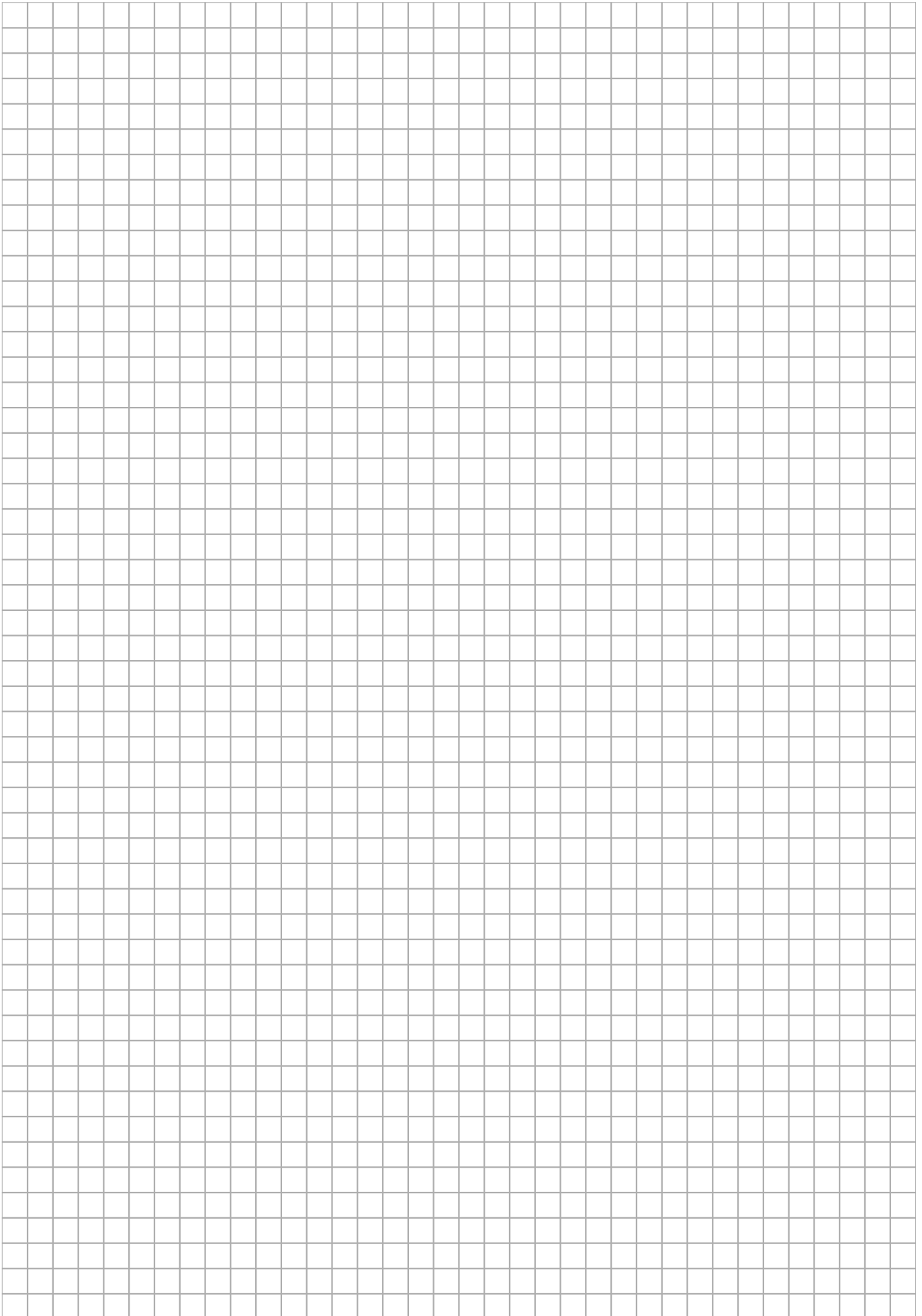
- 9.1.1 Conformément à ces dispositions, le vendeur garantit que le produit correspondant à cette garantie ne présente aucun défaut de conformité au moment de sa livraison.
- 9.1.2. La Période de Garantie totale est de 3 ANS.
- 9.1.3. Garanties particulières:
- 9.1.3.1. Les électrodes sont couvertes par une garantie spéciale de 3 ANS (1) ou 5 000 heures (à la première échéance des deux), sans prolongations.
  - 9.1.3.2. Les capteurs de pH/ORP sont couverts par une garantie de 6 MOIS sans prolongations.
  - 9.1.3.3. Ces périodes de garantie particulières sont soumises en particulier aux limites exposées au paragraphe §9.3.2.
- 9.1.4. En cas de défaut de conformité du produit et si l'acheteur le notifie au vendeur pendant la période de garantie, le vendeur devra réparer ou remplacer le produit à ses frais et à l'endroit qu'il considère opportun, sauf si cela est impossible ou manifestement disproportionné.
- 9.1.5. Lorsqu'il est impossible de réparer ou de remplacer le produit, l'acheteur pourra demander une réduction proportionnelle du prix, ou, si le défaut de conformité est suffisamment important, la résiliation du contrat de vente.
- 9.1.6. Les parties remplacées ou réparées en vertu de cette garantie n'allongeront pas le délai de la garantie du produit original, mais disposeront de leur propre garantie.
- 9.1.7. Pour l'effectivité de la présente garantie, l'acheteur devra justifier la date d'acquisition et de livraison du produit.
- 9.1.8. Lorsque plus de six mois se sont écoulés depuis la livraison du produit à l'acheteur et que celui-ci invoque un défaut de conformité de ce produit, l'acheteur devra justifier l'origine et l'existence du défaut invoqué.
- 9.1.9. Le présent Certificat de Garantie ne limite ni ne préjuge les droits qui correspondent aux consommateurs en vertu de normes nationales à caractère impératif.

### 9.2. CONDITIONS PARTICULIÈRES

- 9.2.2. Pour l'effectivité de cette garantie, l'acheteur devra suivre strictement les indications du fabricant, comprises dans la documentation qui accompagne le produit, pour autant qu'elle soit applicable en fonction de la gamme et du modèle du produit.
- 9.2.3. Lorsqu'un calendrier est indiqué pour le remplacement, la maintenance ou le nettoyage de certaines pièces ou de certains composants du produit, la garantie sera valable uniquement si ce calendrier a été respecté.

### 9.3. LIMITATIONS

- 9.3.2. La présente garantie sera uniquement d'application pour les ventes réalisées aux consommateurs, ce terme de « consommateur » correspondant à toute personne qui acquière le produit à des fins n'entrant pas dans le cadre de son activité professionnelle.
- 9.3.3. Les périodes de garantie particulières définies au paragraphe §9.1.3 ne sont pas applicables en cas d'utilisation commerciale du produit dans des établissements ouverts au public (hôtels, centres sportifs, copropriétés, écoles, etc.). Nous appliquerons dans ce cas à partir des 4 500 heures vérifiables de fonctionnement une garantie de type proportionnelle à la durée de fonctionnement restante jusqu'à la période de garantie originale de 5 000 heures.
- 9.3.4. Aucune garantie n'est octroyée en ce qui concerne l'usure normale par utilisation du produit ni en ce qui concerne les pièces, composants et/ou matériaux fongibles ou consommables (à exception de l'électrode).
- 9.3.5. La garantie ne couvre pas les cas où le produit : (i) a été l'objet d'un traitement incorrect ; (ii) a été vérifié, réparé, entretenu ou manipulé par une personne non autorisée ; (iii) a été réparé ou entretenu avec des pièces non originales ou (iv) a été installé ou mis en marche de manière incorrecte.
- 9.3.6. Lorsque le défaut de conformité du produit est la conséquence d'une installation ou d'une mise en marche incorrectes, la présente garantie sera seulement effective lorsque ladite installation ou mise en marche est incluse dans le contrat de vente du produit et a été réalisée par le vendeur ou sous sa responsabilité.
- 9.3.7. Dommages ou défauts du produit dus à une des causes suivantes :
- o Programmation du système et/ou calibrage inadéquat des sondes de pH/ORP par l'utilisateur.
  - o Fonctionnement à salinités inférieures à 3 g./l. de chlorure de sodium et/ou températures inférieures à 15°C ou supérieures à 40°C.
  - o Fonctionnement à pH supérieur à 7,6.
  - o Emploi de produits chimiques non explicitement autorisés.
  - o Réalisation de travaux de nettoyage des électrodes avec des fréquences beaucoup trop élevées, ou avec des produits et/ou procédés différents de ceux décrits dans le Manuel d'Instructions.
  - o Exposition à des environnements corrosifs et/ou à des températures inférieures à 0°C (32°F) ou supérieures à 50°C (125°F).



**IMPORTANTE:** El manual de instrucciones que usted tiene en sus manos, contiene información fundamental acerca de las medidas de seguridad a adoptar a la hora de la instalación y la puesta en servicio. Por ello, es imprescindible que tanto el instalador como el usuario lean las instrucciones antes de pasar al montaje y puesta en marcha. Conserve este manual para futuras consultas acerca del funcionamiento de este aparato.



**Tratamiento de equipos eléctricos y electrónicos después de su vida útil (sólo aplicable en la U.E.)**

Todo producto marcado con este símbolo indica que no puede eliminarse junto con el resto de residuos domésticos una vez finalizada su vida útil. Es responsabilidad del usuario eliminar este tipo de residuo depositándolos en un punto adecuado para el reciclado selectivo de residuos eléctricos y electrónicos. El adecuado tratamiento y reciclado de estos residuos contribuye de forma esencial a la conservación del Medio Ambiente y la salud de los usuarios. Para obtener una información más precisa sobre los puntos de recogida de este tipo de residuos, póngase en contacto con las autoridades locales.

Las instrucciones contenidas en este manual describen el funcionamiento y mantenimiento de los sistemas de Electrolisis de Sal DOMOTIC Series DOM-XX, DOM-XX PH y DOM-XX PLUS. Para conseguir un óptimo rendimiento de los Sistemas de Electrólisis de Sal DOMOTIC Series es conveniente seguir las instrucciones que se indican a continuación:

**1. COMPRUEBE EL CONTENIDO DEL EMBALAJE:** \_\_\_\_\_

En el interior de la caja encontrará los siguientes accesorios:

- Fuente de alimentación.
- Célula de electrolisis.
- Sensor combinado de pH (sólo en equipos DOM-XX PH y DOM-XX PLUS).
- Sensor ORP EX (sólo en equipos DOM-XX PLUS).
- Soluciones de calibración pH 7.0 (verde) / pH 4.0 (rojo) / ORP 470 mV (sólo en equipos DOM-XX PH y DOM-XX PLUS).
- Porta-sondas (sólo en equipos DOM-XXPH y DOM-XX PLUS).
- Conector CEE22 M para conexión de bomba dosificadora (sólo en equipos DOM-XXPH y DOM-XX PLUS).
- Manual del equipo.

**2. CARACTERISTICAS GENERALES:** \_\_\_\_\_

Una vez instalado su sistema de Electrolisis de Sal DOMOTIC Series es necesario disolver una cantidad de sal en el agua. Este agua salina circula a través de la célula de electrolisis situada en la depuradora. El sistema de Electrolisis de Sal DOMOTIC Series consta de dos elementos: una célula de electrolisis y una fuente de alimentación. La célula de electrolisis contiene un número determinado de placas de titanio (electrodos), de forma que cuando se hace circular a través de los mismos una corriente eléctrica y la solución salina pasa a su través, se produce cloro libre.

El mantenimiento de un cierto nivel de cloro en el agua de la piscina, garantizará su calidad sanitaria. El sistema de Electrolisis de Sal DOMOTIC Series fabricará cloro cuando el sistema de recirculación de la piscina (bomba y filtro) estén operativos.

La fuente de alimentación dispone de varios dispositivos de seguridad, los cuales se activan en caso de un funcionamiento anómalo del sistema, así como de un microcontrolador de control.

Los sistemas de Electrolisis de Sal DOMOTIC Series disponen de un sistema de limpieza automático de los electrodos que evita la formación de incrustaciones en los mismos. Además, los sistemas de la serie DOMOTIC-PH y DOMOTIC PLUS, incorporan un controlador automático de pH, así como un controlador de ORP adicional en el caso de los sistemas de la serie DOMOTIC PLUS.

**3. ADVERTENCIAS DE SEGURIDAD Y RECOMENDACIONES:** \_\_\_\_\_

- El montaje o manipulación deben ser efectuados por personal debidamente cualificado.
- Se deben respetar las normas vigentes para la prevención de accidentes, así como para las instalaciones eléctricas.
- El fabricante en ningún caso se responsabiliza del montaje, instalación o puesta en funcionamiento, así como de cualquier manipulación o incorporación de componentes que no se hayan llevado a acabo en sus instalaciones.
- Los sistemas de Electrolisis de Sal DOMOTIC Series operan a 230 V AC / 50-60 Hz. No intente alterar la fuente de alimentación para operar a otro voltaje.
- Asegúrese de realizar conexiones eléctricas firmes para evitar falsos contactos, con el consiguiente recalentamiento de los mismos.
- Antes de proceder a la instalación o sustitución de cualquier componente del sistema asegúrese que éste ha quedado previamente desconectado de la tensión de alimentación, y utilice exclusivamente repuestos suministrados por IDEGIS.
- Debido a que el equipo genera calor, es importante instalarlo en un lugar suficientemente ventilado y procurar mantener los orificios de ventilación libres de cualquier elemento que los pueda obstruir. Procurar no instalarlo cerca de materiales inflamables.
- Los sistemas de Electrolisis de Sal DOMOTIC Series disponen de un grado de protección IP24. En ningún caso, deben ser instalados en zonas expuestas a inundaciones.

**FUENTE DE ALIMENTACION**

| DESCRIPCION   | MODELO  |                                  |                                  |                                  |
|---|---|----------------------------------|----------------------------------|----------------------------------|
|   | DOM-12 / DOM-12 PH / DOM-12 PLUS  | DOM-24 / DOM-24 PH / DOM-24 PLUS | DOM-32 / DOM-32 PH / DOM-32 PLUS | DOM-42 / DOM-42 PH / DOM-42 PLUS |
| Tensión de servicio   | 230 V AC, 50/60 Hz.   |                                  |                                  |                                  |
| Salida (dc)   | 12 A (2x6 A)  | 24 A (2x12 A)                    | 32 A (2x16A)                     | 42 A (6x7A)                      |
| Producción (g/h)  | 10 - 12   | 20 -24                           | 25 - 32                          | 34 - 42                          |
| Capacidad piscina (m <sup>3</sup> )<br>Templado: 16 - 24°C<br>Cálido: +25°C | 60<br>50  | 100<br>80                        | 160<br>120                       | 200<br>160                       |
| Detector flujo  | Detector gas  |                                  |                                  |                                  |
| Rango Salinidad / Temperatura   | 3 - 12 g./l. / +15 - 40°C   |                                  |                                  |                                  |
| Electrodos  | Titanio con recubrimiento AUTO-LIMPIANTE<br>Duración estimada: 10.000 - 12.000 horas <sup>(2)</sup>   |                                  |                                  |                                  |
| Control producción  | 0 - 100 % ( 11 niveles de producción)   |                                  |                                  |                                  |
| Control cobertor  | Entrada para contacto libre de tensión<br>Reducción de producción programable desde panel con cobertor cerrado [10% ... 90%]  |                                  |                                  |                                  |
| Inversión polaridad   | Programable desde panel de control: 2 <sup>(1)</sup> /3 horas + modo test   |                                  |                                  |                                  |
| Control externo   | Dos entradas para contacto libre de tensión para detector de flujo externo y controlador ORP/COLOR RESIDUAL. Lógica de los contactos programable desde el panel de control de la unidad |                                  |                                  |                                  |
| Protección nivel de sal   | Protección automática de producción   |                                  |                                  |                                  |

<sup>(1)</sup> Configuración fábrica.

<sup>(2)</sup> En condiciones ideales: salinidad (6 g/l), pH (7.2), dureza agua (120 mg/l) and caudal mínimo.

**CELULA DE ELECTROLISIS**

| DESCRIPCION                | MODELO  |                                  |                                  |                                  |
|----------------------------|---|----------------------------------|----------------------------------|----------------------------------|
|                            | DOM-12 / DOM-12 PH / DOM-12 PLUS                  | DOM-24 / DOM-24 PH / DOM-24 PLUS | DOM-32 / DOM-32 PH / DOM-32 PLUS | DOM-42 / DOM-42 PH / DOM-42 PLUS |
| Caudal mínimo              | 2 m <sup>3</sup> /h                               | 4 m <sup>3</sup> /h              | 6 m <sup>3</sup> /h              | 8 m <sup>3</sup> /h              |
| Número de electrodos       | 5   | 7                                | 7                                | 13                               |
| Material                   | Derivado metacrilato                              |                                  |                                  |                                  |
| Conexión a tubería         | Encolado mediante adhesivo para tubo PVC Ø 63 mm. |                                  |                                  |                                  |
| Presión máxima recomendada | 1 Kg./cm <sup>2</sup>                             |                                  |                                  |                                  |
| Temperatura de trabajo     | Menos de 40°C                                     |                                  |                                  |                                  |

**CONTROLADOR DE PH / ORP**

| DESCRIPCION             | MODELO   |                          |                          |                          |
|-------------------------|--|--------------------------|--------------------------|--------------------------|
|                         | DOM-12 PH<br>DOM-12 PLUS   | DOM-24 PH<br>DOM-24 PLUS | DOM-32 PH<br>DOM-32 PLUS | DOM-42 PH<br>DOM-42 PLUS |
| Rango de medida         | 0.0 - 9.9 (pH) / 0 - 999 mV (ORP)  |                          |                          |                          |
| Rango de control        | 7.0 - 7.8 (pH) / 600 - 850 mV (ORP)  |                          |                          |                          |
| Precisión               | ± 0.1 pH / ± 1 mV  |                          |                          |                          |
| Calibración             | Automática mediante disoluciones patrón  |                          |                          |                          |
| Salidas de control [pH] | Una salida 230 VAC / 500 mA para conexión de bomba dosificadora  |                          |                          |                          |
| Sensores pH / ORP       | Cuerpo en epoxy, 12x150 mm., unión sencilla, 0-80°C<br>color AZUL, rango 0 - 12 (pH),<br>color ROJO, rango 0 - 1000 mV (ORP) |                          |                          |                          |



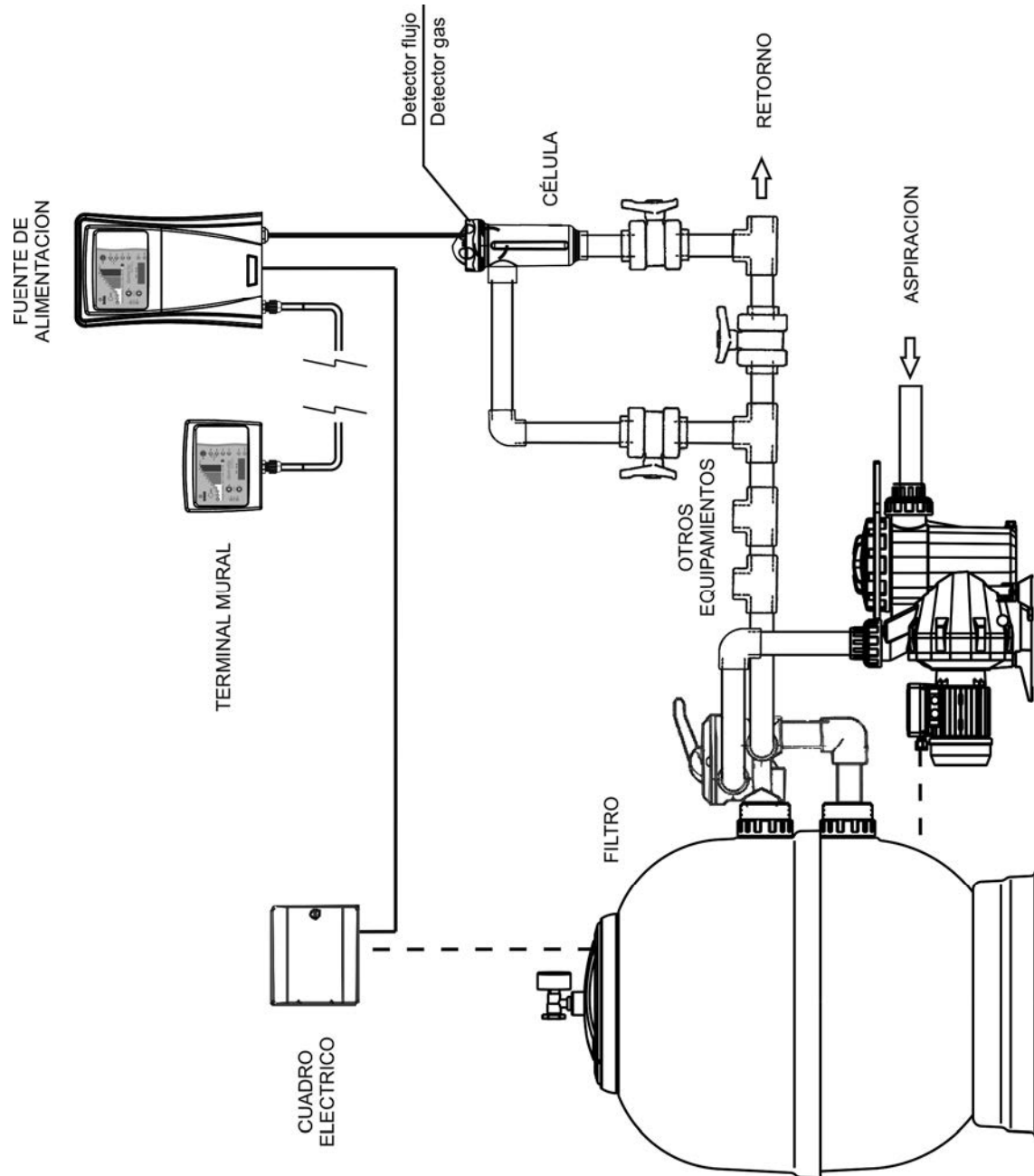


Fig.1 Diagrama de instalación recomendada (equipos DOMOTIC Series DOM-XX).

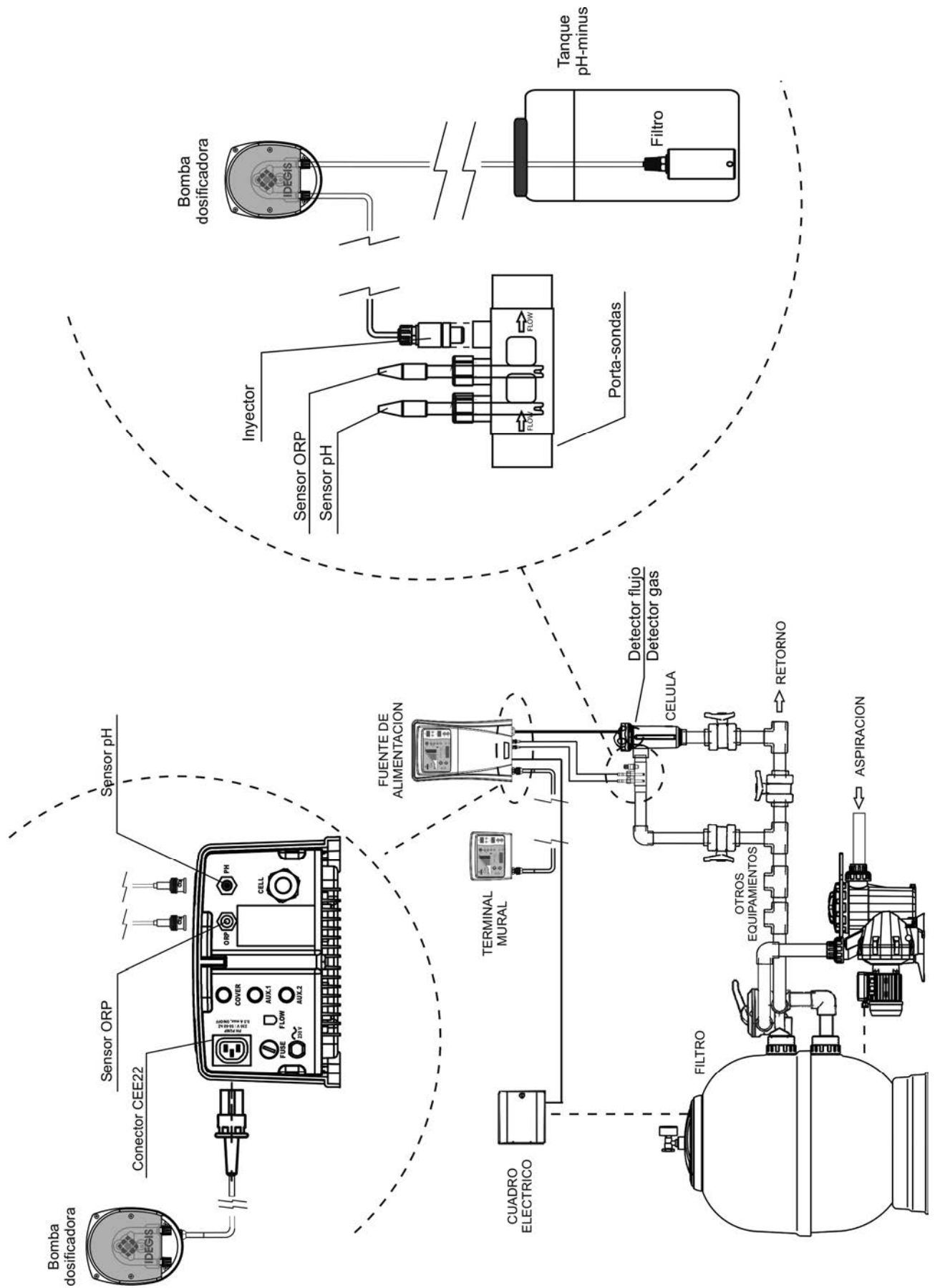


Fig.2 Diagrama de instalación recomendada (equipos DOMOTIC Series DOM-XXPH y DOM-XX PLUS).

## 4. INSTALACION:

### 4.1. Instalación de la fuente de alimentación

Instalar siempre la FUENTE DE ALIMENTACIÓN del sistema DOMOTIC Series de forma VERTICAL y sobre una superficie (pared) rígida tal y como se muestra en el diagrama de instalación recomendada (Figs. 1,2). Para garantizar su buen estado de conservación, debe procurarse instalar siempre el equipo en un lugar seco y bien ventilado. El grado de estanqueidad de la FUENTE DE ALIMENTACION del sistema DOMOTIC Series no permite su instalación a la intemperie. La FUENTE DE ALIMENTACION debería ser preferiblemente instalada lo suficientemente alejada de la célula de electrolisis de forma que no pueda sufrir salpicaduras de agua de forma accidental.

De manera especial, evite la formación de ambientes corrosivos debidos a las soluciones minoradoras del pH (concretamente las formuladas con ácido clorhídrico "HCl"). No instale el sistema DOMOTIC Series cerca de los lugares de almacenamiento de estos productos. Recomendamos encarecidamente el uso de productos basados en bisulfato sódico o ácido sulfúrico diluido. La conexión de la fuente de alimentación a la red eléctrica debe efectuarse en el cuadro de maniobra de la depuradora, de forma que la bomba y el sistema DOMOTIC Series se conecten simultáneamente.

### 4.2. Instalación de la célula de electrolisis

La célula de electrolisis está fabricada de un polímero transparente en cuyo interior se alojan los electrodos. La célula de electrolisis debería instalarse en un lugar protegido de la intemperie y **siempre detrás del sistema de filtración** y de cualquier otro dispositivo en la instalación como bombas de calor, sistemas de control, etc.

La instalación de la misma debería permitir el fácil acceso del usuario a los electrodos instalados. La célula de electrolisis siempre debe situarse, preferentemente, de forma **VERTICAL** en un lugar de la tubería que pueda ser aislado del resto de la instalación mediante dos válvulas, de tal modo que se puedan efectuar las tareas de mantenimiento de la misma sin necesidad de vaciar total o parcialmente la piscina.

En caso de que la célula se instale en by-pass (opción recomendada), se deberá introducir una válvula que regule el caudal a través de la misma. Antes de proceder a la instalación definitiva del sistema se deberían tener en cuenta los siguientes comentarios:

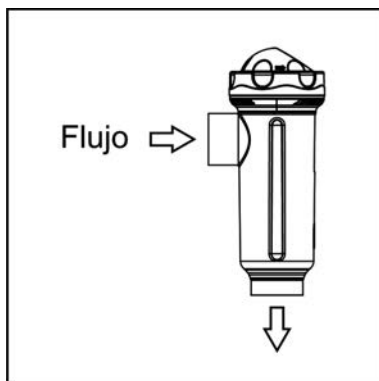


Fig. 3

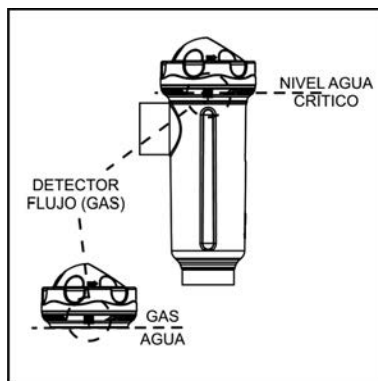


Fig. 4

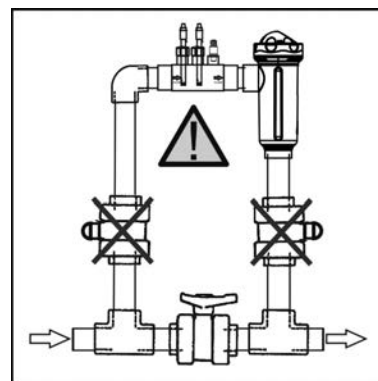


Fig. 5

1. Debe respetarse el sentido de flujo marcado en la célula. El sistema de recirculación debe garantizar el caudal mínimo consignado en la Tabla de Características Técnicas (ver apartado 9).

2. El sistema detector de flujo (detector gas) se activa en caso de que no haya recirculación (flujo) de agua a través de la célula o bien que éste sea muy bajo. La no evacuación del gas de electrolisis genera una burbuja que aísla eléctricamente al electrodo auxiliar (detección electrónica). Por lo tanto, al introducir los electrodos en la célula, el detector de gas (electrodo auxiliar) deberá quedar situado en la parte superior de la misma. La disposición más segura es la del diagrama de instalación recomendada.

3. **ATENCIÓN:** el detector de flujo (detector gas) no funcionará correctamente, con el consiguiente riesgo de ruptura de la célula, si se cierran simultáneamente las válvulas de entrada y salida a la tubería donde va instalada la célula de electrolisis. Aunque resulta una situación inusual, **se puede evitar bloqueando, una vez instalado el equipo, la válvula de retorno hacia la piscina**, de forma que no pueda ser manipulada accidentalmente.

Otras disposiciones sólo serían aceptables si permitieran igualmente la detección de burbujas de gas debidas a un caudal de paso de agua a través de la célula demasiado bajo.

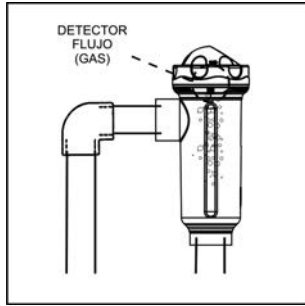


Fig. 6

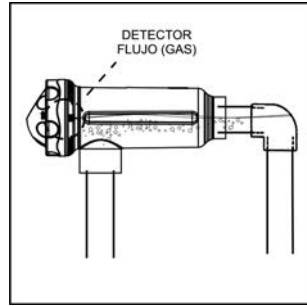


Fig. 7

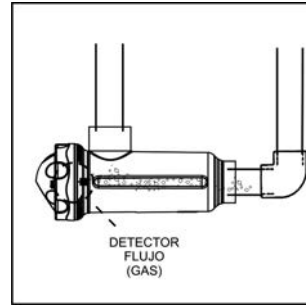


Fig 8

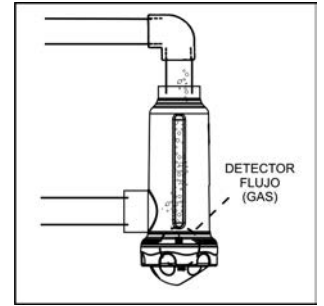


Fig 9

**Instalación recomendada**

**Instalación admisible**

**Instalaciones no admisibles**

Los electrodos deberán ser introducidos en el interior de la célula de electrolisis encajando el electrodo central del conjunto a través de las guías situadas en la parte superior e inferior del cuerpo de la misma.

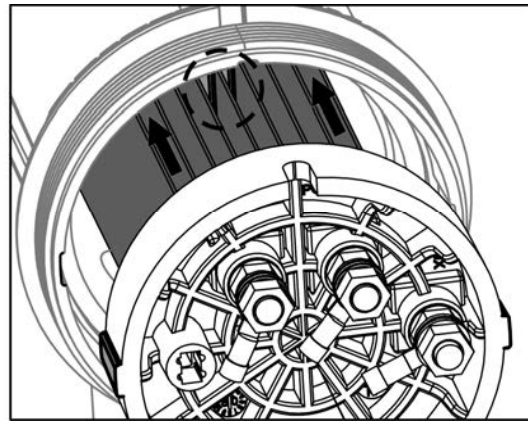
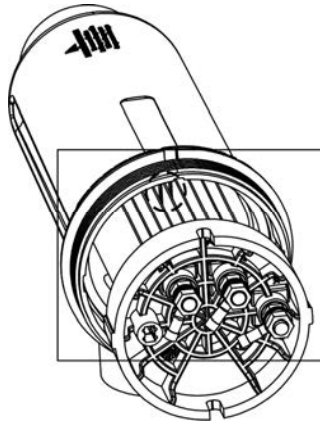
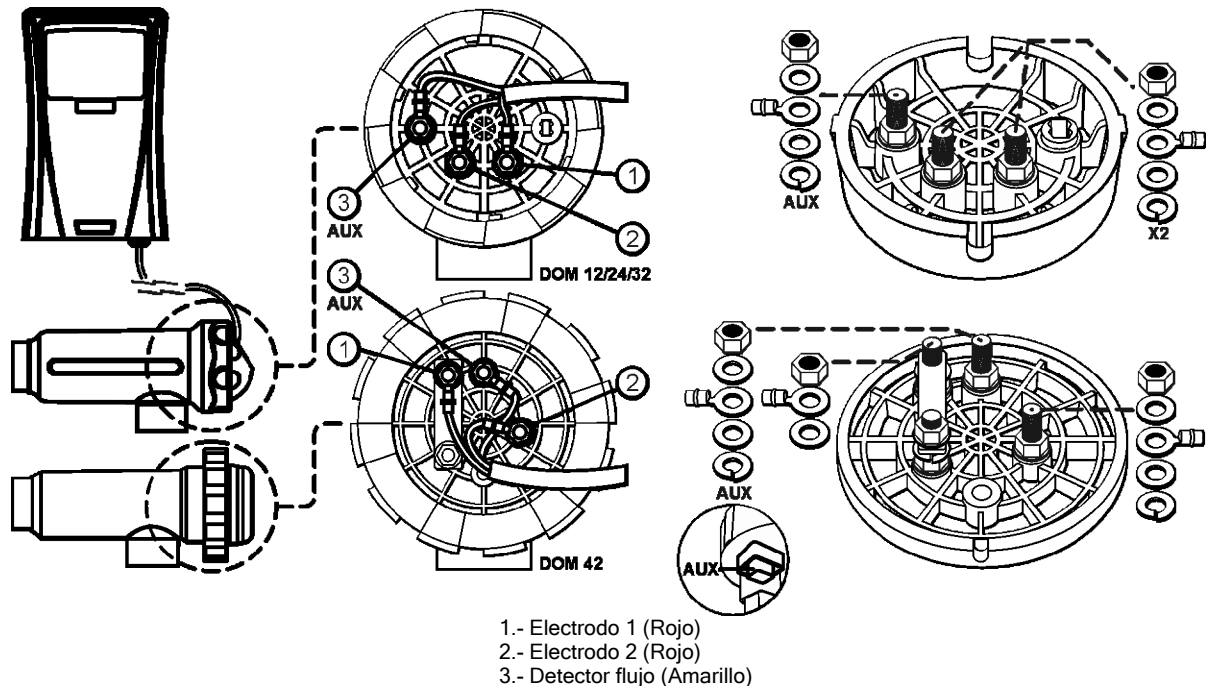


Fig 10

#### 4.3. Conexiones eléctricas de la célula de electrolisis

Realizar la interconexión entre la célula de electrolisis y la fuente de alimentación según los siguientes esquemas. Debido a la relativamente elevada intensidad de corriente que circula por los cables de la célula de electrolisis, en ningún caso debe modificarse la longitud ni la sección de los mismos sin consultar previamente a su distribuidor IDEGIS autorizado. El cable de conexión célula-fuente de alimentación nunca debe exceder la longitud máxima recomendada en este Manual: DOM-12 (6 A), 7.5 m.; DOM-24 (12 A), 4.0 m.; DOM-32 (16 A), 3.0 m; DOM-42 (7 A), 16.0 m.



- 1.- Electrodo 1 (Rojo)
- 2.- Electrodo 2 (Rojo)
- 3.- Detector flujo (Amarillo)

Fig.11

#### 4.4. Instalación de las sondas de pH / ORP (solo en equipos DOM-XXPH y DOM-XX PLUS)

1. Insertar la sondas de pH/ORP suministradas con el equipo en los alojamientos correspondientes del portasondas. (Fig. 12)
2. Para ello, aflojar la tuerca del racor e insertar el sensor en el mismo.
3. El sensor debe introducirse en el racor de forma que se garantice que el sensor situado en su extremo queda siempre sumergido en el agua que circula por la tubería.
4. **Instalar siempre las sondas de pH/ORP preferiblemente en posición vertical o con una inclinación máxima de 40° (Fig. 13).**

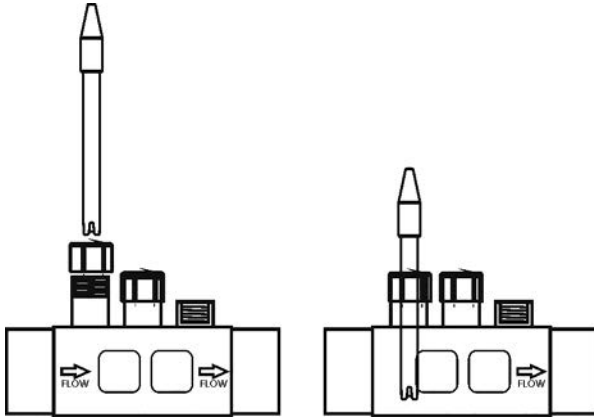


Fig. 12

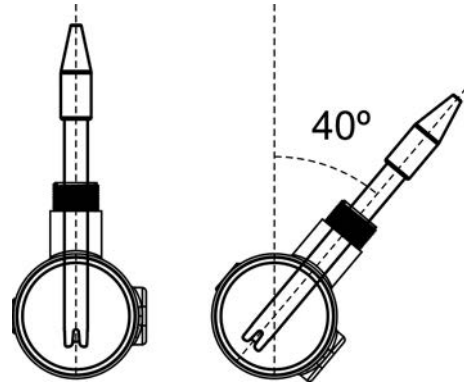


Fig. 13

#### 4.5. Instalación del detector de flujo externo opcional (no suministrado con el equipo)

1. Colocar el collarín suministrado en un tramo de la tubería situado a la entrada de la célula de electrolisis. El collarín deberá instalarse siempre en posición horizontal al suelo (ver Fig. 14-1).
2. Instalar el detector de flujo (interruptor flujo) siempre de forma vertical en el collarín (Fig. 14-1).
3. Existe una flecha marcada en la cabeza del detector de flujo. Asegúrese que la flecha está paralela al eje de la tubería y apunta a la dirección del flujo de agua (Fig. 14-2).
4. Evite instalar el detector de flujo cerca de objetos ferromagnéticos. Estos objetos pueden influenciar el funcionamiento del dispositivo magnético alojado en su interior, y por lo tanto, disminuir su fiabilidad.



Fig. 14-1

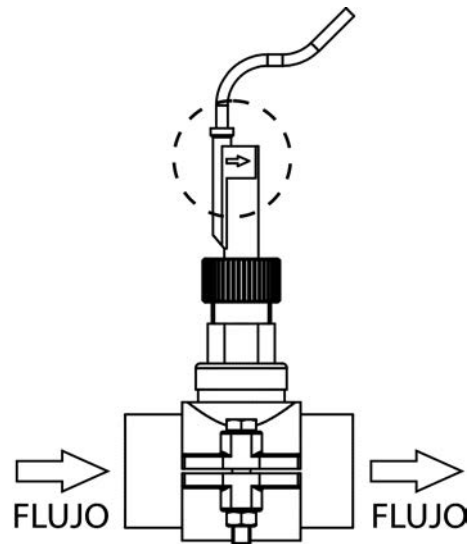


Fig. 14-2

#### 4.6. Instalación del terminal de control extraíble

En los equipos DOMOTIC series es posible establecer un control remoto del sistema de electrolisis situado en la depuradora de la piscina mediante la instalación de un terminal mural de control. La interconexión entre la fuente de alimentación y el terminal de control puede efectuarse mediante un cable de señal de 6 conductores conectado a los respectivos conectores de las tarjetas de potencia y visualizadora. La longitud de este cable vendrá determinada por las necesidades del usuario, no pudiendo superar en ningún caso los 40 metros. El terminal es un elemento auto-alimentado a 10,5 Vac por el propio bus de comunicaciones por lo que no necesita de ninguna toma de alimentación adicional.

El terminal no requiere de ningún procedimiento especial de mantenimiento, a excepción de las siguientes normas de utilización de tipo general:

- Usar para su limpieza un trapo ligeramente humedecido con agua.
- No utilizar productos de limpieza agresivos (lejía, aerosoles, disolventes, alcohol, etc.)

El terminal de control está diseñado para ser colocado sobre una pared rígida. Su grado de estanqueidad IP-65 permite su instalación a la intemperie. No obstante, resultaría recomendable no exponer directamente el terminal a los rayos solares. Para la instalación del terminal, proceda del siguiente modo:

1. Retirar el chasis de la fuente de alimentación desenroscando el tornillo de fijación (Fig. 11-1) y deslizando hacia arriba y hacia fuera (Fig. 11-2). Seguidamente girar el chasis hacia la izquierda (Fig. 11-3) y desconectar el cable de comunicación (A) de la tarjeta de potencia y de la tarjeta visualizadora (Fig. 11-4).
2. Desenroscando los cuatro tornillos de sujeción (Fig. 11-5).
3. Montar el terminal de control (Fig. 11-6).

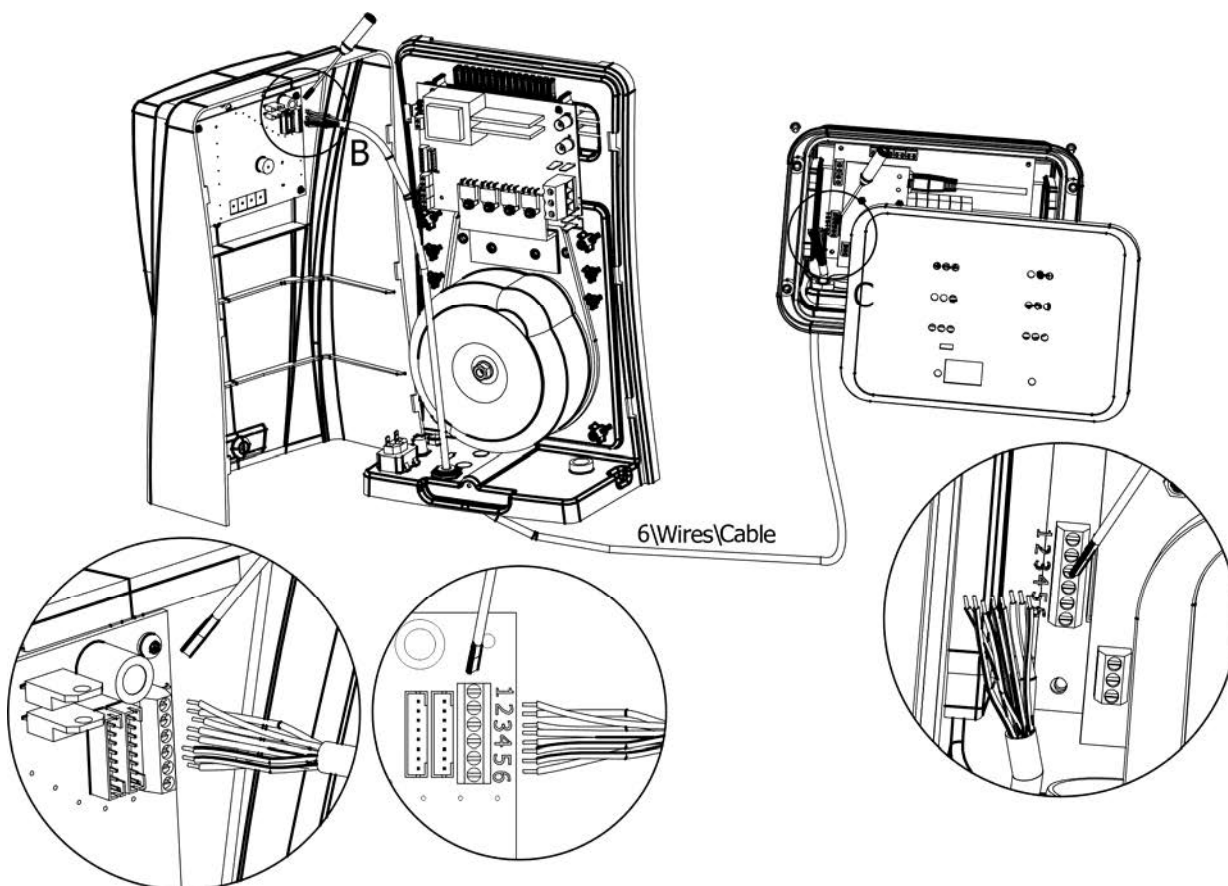
OPCIÓN A: instalación mediante cable original IDEGIS ref. DOM-020-XX (donde XX indica la longitud en metros del mismo).

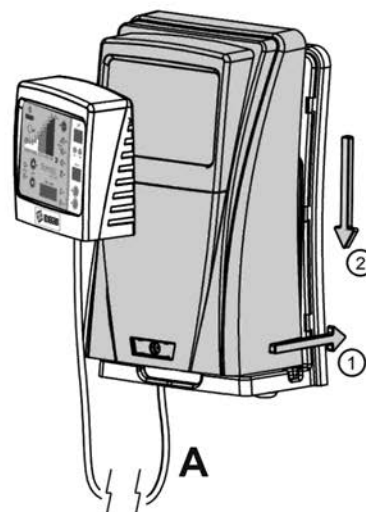
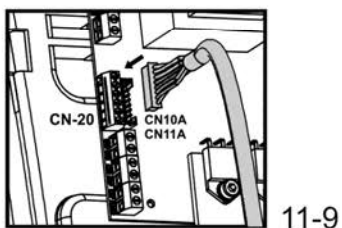
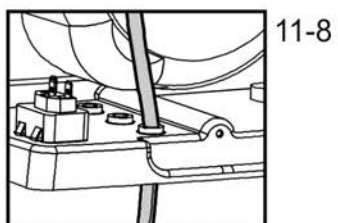
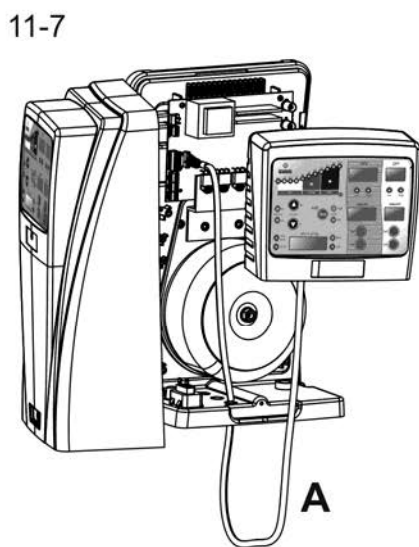
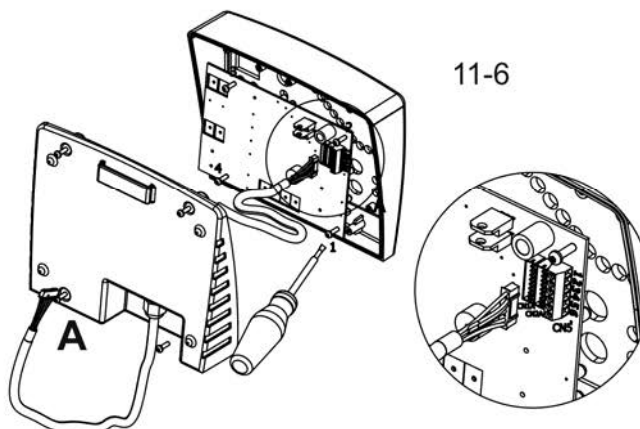
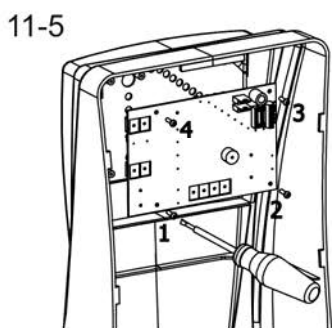
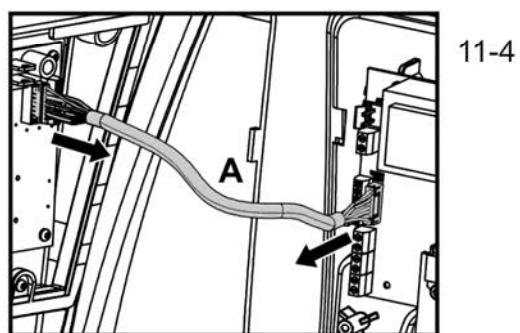
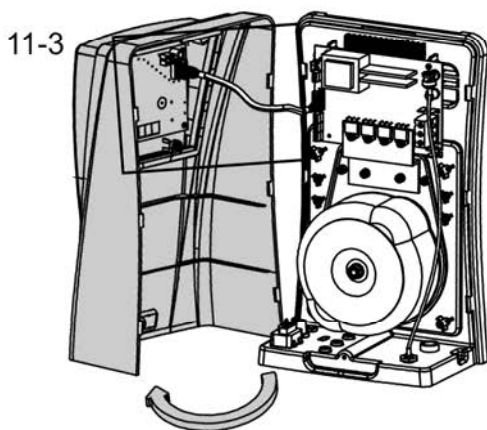
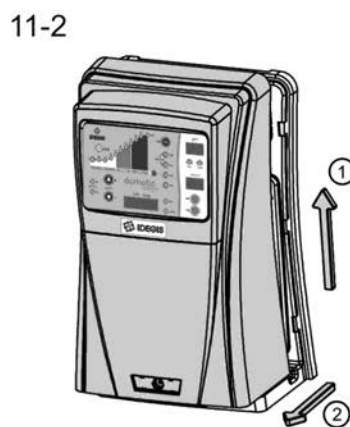
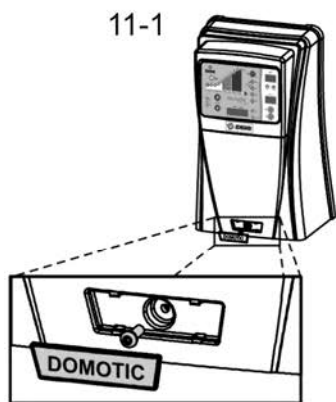
OPCIÓN B: instalación mediante cable de señal estándar de 6 hilos de 0,22 mm<sup>2</sup> de sección mínima cada uno.

En ambos casos la longitud máxima admisible es de 40 metros. No obstante, el empleo de cable UTP de par trenzado (Categoría 5e sin apantallar) permite la interconexión a distancias de hasta 60 metros.

4. Para ello, pasar el nuevo cable de comunicación (A) a través del prensa-estopa situado en la base del terminal y conectarlo en cualquiera de los dos conectores de la tarjeta visualizadora (CN1A, CN2A) [**OPCIÓN A**], o en el conector CN-5 [**OPCIÓN B**]. Unir el frontal visualizador y la base del terminal mediante los cuatro tornillos suministrados.
5. Pasar el extremo libre del cable de comunicación por el orificio AUX 2 de la base de la fuente de alimentación (Figs. 11-7, 11-8) y conectarlo en el conector CN10A/CN11A [**OPCIÓN A**] o en el CN-20 [**OPCIÓN B**] de la tarjeta de potencia (Fig. 11-9). Volver a colocar el chasis de la fuente de alimentación (Fig. 11-7).
6. Fijar el soporte de pared (ver Apartado 8) en el punto de instalación elegido y colgar el terminal en el mismo.

#### 4.7 Conexión PoolStation





**Controles e indicadores**

Los sistemas de Electrolisis Salina DOMOTIC Series están equipados con un panel de control situado en su frontal (Figs. 15,16, 16b).

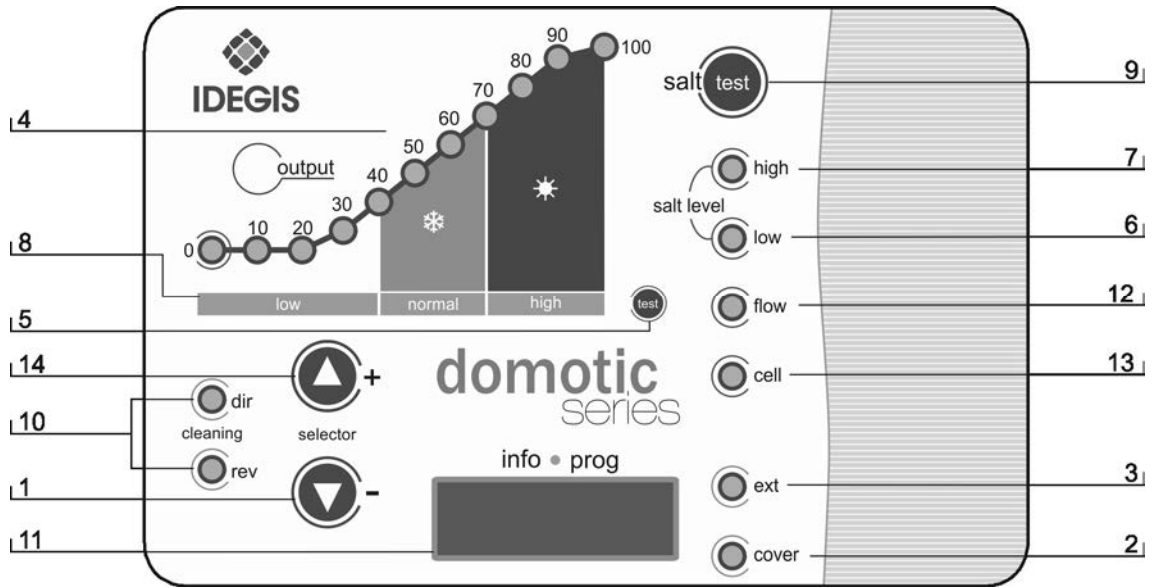


Fig. 15. Panel de control sistemas DOM-XX

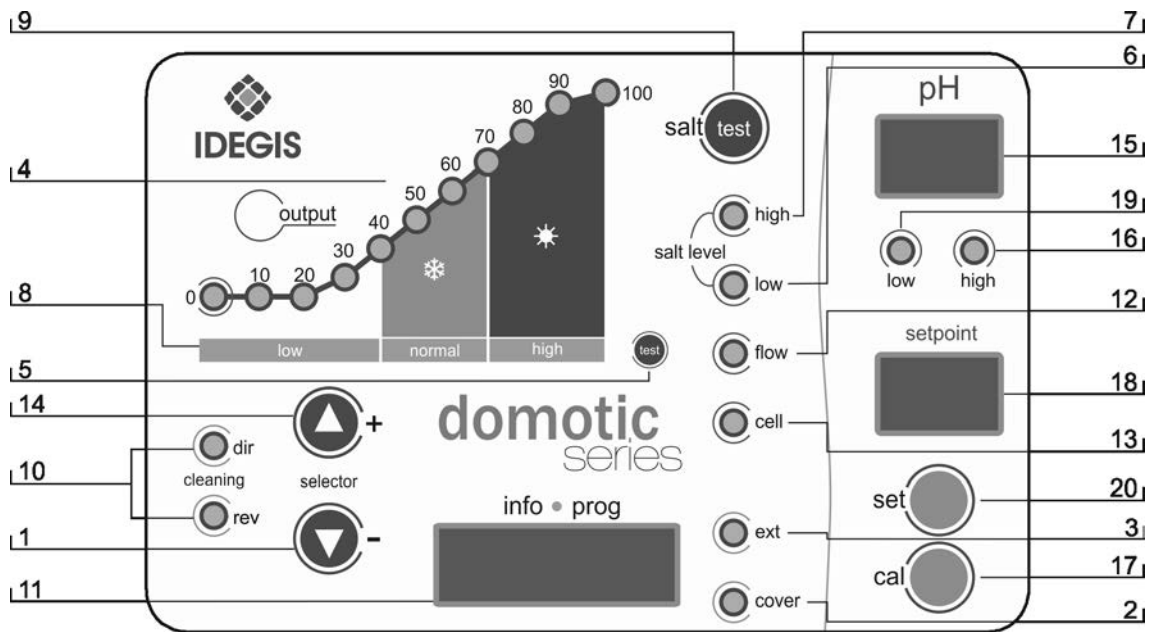


Fig. 16. Panel de control sistemas DOM-XX PH



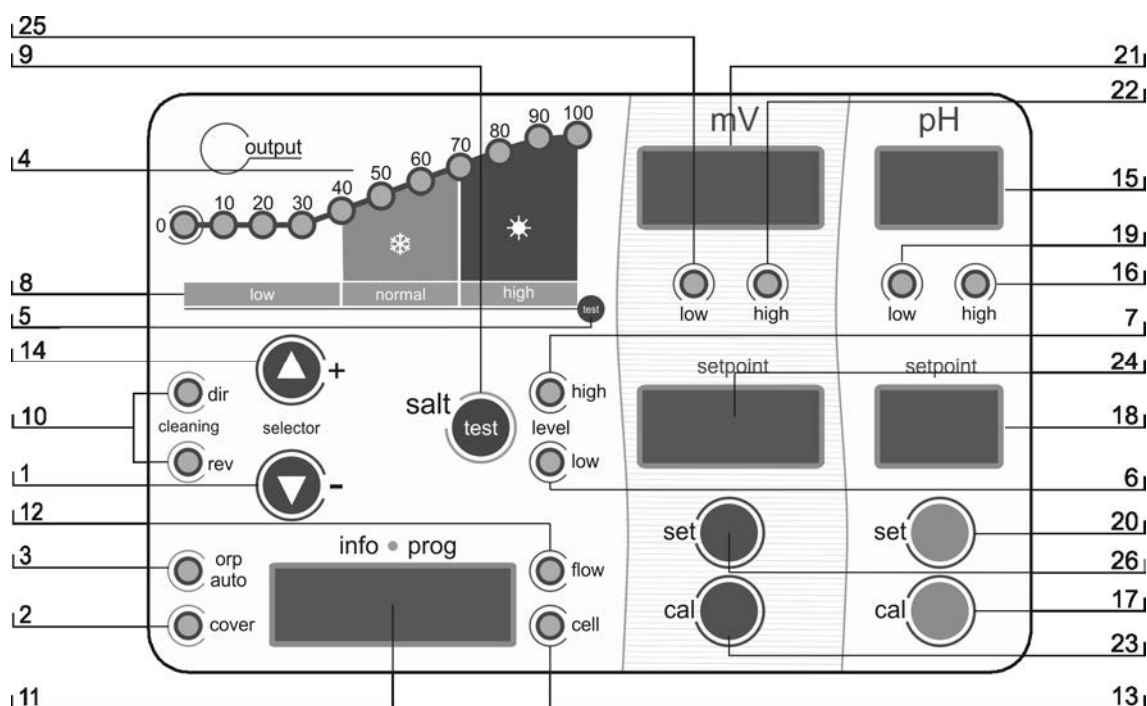


Fig. 16b. Panel de control sistemas DOM-XX PLUS.

- |   |  |
|---|--|
| 1. Tecla "▼" (disminuir producción / navegación en menús de programación del sistema) | 14. Tecla "▲" (aumentar producción / navegación en menús de programación de sistema) |
| 2. Indicador control CUBIERTA AUTOMATICA activado                                     | 15. Pantalla de indicación del valor de pH del agua.                                 |
| 3. Indicador CONTROL ORP activado (modo AUTO)   | 16. Indicador ALARMA pH ALTO (> 8.5)   |
| 4. Escala de producción (%)   | 17. Tecla para MODO CALIBRACION pH   |
| 5. Escala TEST SALINIDAD  | 18. Indicador del valor de pH programado.  |
| 6. Indicador de BAJA SALINIDAD  | 19. Indicador ALARMA pH BAJO (< 6.5)   |
| 7. Indicador de ALTA SALINIDAD  | 20. Tecla para programar el valor de pH deseado.                                     |
| 8. Escala de SALINIDAD (cualitativa)  | 21. Pantalla de indicación del valor de ORP del agua.                                |
| 9. Tecla para "TEST de SALINIDAD"   | 22. Indicador ALARMA ORP ALTO (> 850 mV)   |
| 10. Indicadores AUTO-LIMPIEZA (polaridad DIRECTA/INVERSA)                             | 23. Tecla para MODO CALIBRACION ORP  |
| 11. Pantalla de información del sistema   | 24. Indicador del valor de ORP programado.   |
| 12. Indicador ALARMA de FLUJO   | 25. Indicador ALARMA ORP BAJO (< 650 mV)   |
| 13. Indicador de ALARMA de CELULA pasivada  | 26. Tecla para programar el valor de ORP deseado                                     |

Además de las operaciones básicas, el Sistema de Electrolisis de Sal DOMOTIC Series dispone de tres entradas para contactos libres de tensión, los cuales permiten la conexión de controles externos adicionales. Estas entradas se encuentran situadas en el conector [CN7] de la tarjeta de potencia (Fig. 17).

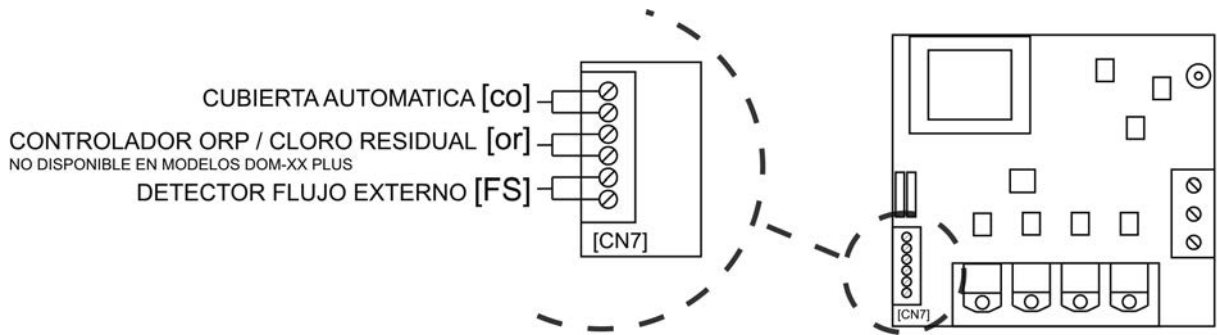


Fig. 17

La lógica asociada a estas tres entradas, así como su activación-desactivación, se puede programar durante el proceso de configuración del sistema (ver Apartado 5.2)

- **[FS] Control DETECTOR FLUJO EXTERNO OPCIONAL (no suministrado con equipo):** entrada para contacto libre de tensión. Cuando el contacto conectado a esta entrada se abre (detector de flujo externo en reposo), y la entrada [FS] se ha configurado como [FS1c] durante la configuración de sistema, el sistema de electrolisis se desconecta (alarma de flujo). Conectar los cables del detector de flujo externo a la entrada correspondiente [FS] situada en el conector [CN7] de la tarjeta de potencia de la unidad.

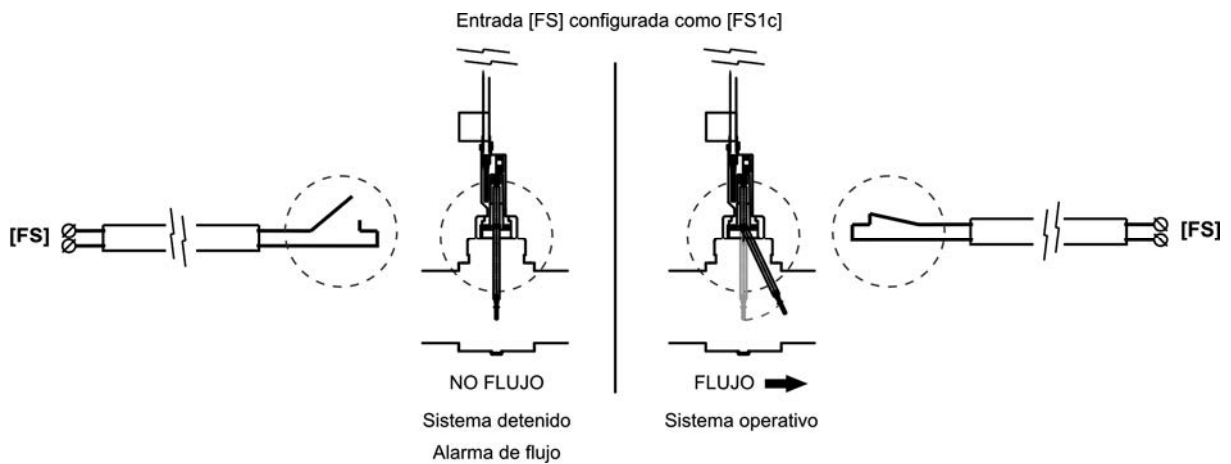


Fig. 18

- **[CO] Control CUBIERTA AUTOMÁTICA:** entrada para contacto libre de tensión. Esta entrada permite, en función del estado del contacto conectado a la misma situado en el cuadro eléctrico de la cubierta automática, programar una reducción de la producción del equipo a un porcentaje de su valor nominal.

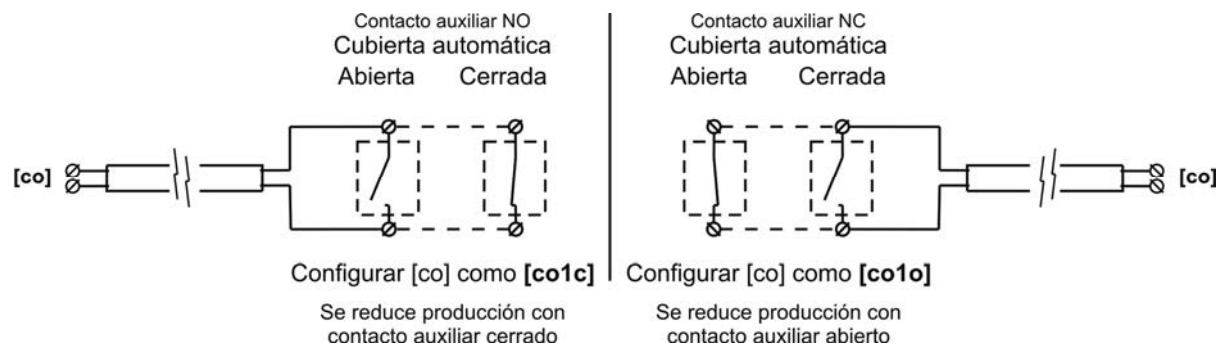


Fig. 19

- **[Or]** **Control ORP / CLORO RESIDUAL (no disponible en equipos DOMOTIC-XX PLUS):** entrada para contacto libre de tensión. Esta entrada se puede utilizar para hacer interactuar el sistema de electrolisis con un controlador externo (ORP, CLORO RESIDUAL, FOTOMETRO, etc.). Para ello bastará con conectar dos hilos desde el contacto libre de tensión situado en el controlador externo, a la entrada correspondiente **[or]** situada en la tarjeta de potencia de la unidad.

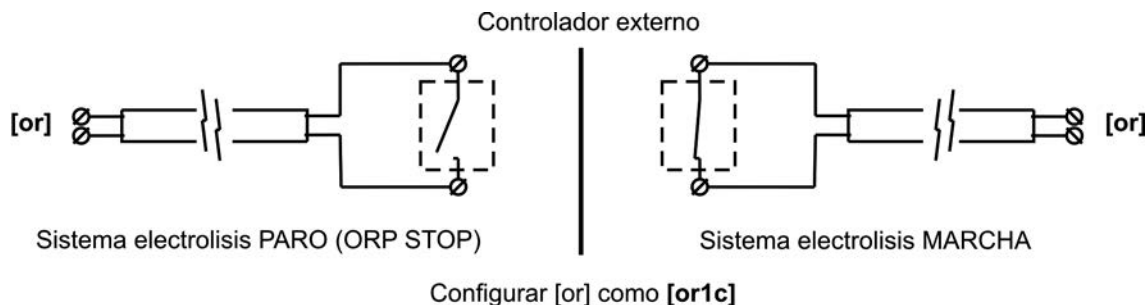


Fig. 20

#### 4.7. Puesta en marcha

1. Asegurarse que el filtro esté limpio al 100%, y que la piscina y la instalación no contenga cobre, hierro y algas, así como que cualquier equipo de calefacción instalado sea compatible con la presencia de sal en el agua.
  2. Equilibrar el agua de la piscina. Esto nos permitirá obtener un tratamiento más eficiente con una menor concentración de cloro libre en el agua, así como un funcionamiento más prolongado de los electrodos unido a una menor formación de depósitos calcáreos en la piscina.
    - a) El pH debe ser de 7.2-7.6
    - b) La alcalinidad total debe ser de 60-120 ppm.
  3. Aunque el sistema DOMOTIC Series puede trabajar en un rango de salinidad de 4 - 6 g/l., se debe intentar mantener el nivel mínimo de sal recomendado de 5 g/l, añadiendo 5 Kg. por cada m<sup>3</sup> de agua si el agua no contenía sal previamente. Utilizar siempre sal común (cloruro sódico), sin aditivos como yoduros o antiapelmazante, y con calidad de apta para consumo humano. No agregar nunca la sal a través de la célula. Añadir directamente a la piscina o en el vaso de compensación (lejos del sumidero de la piscina).
  4. Al añadir la sal, y en caso que la piscina vaya a ser utilizada de forma inmediata, efectuar un tratamiento con cloro. Como dosis inicial, se pueden añadir 2 g./m<sup>3</sup> de ácido tricloroisocianúrico.
  5. Antes de iniciar el ciclo de trabajo, desconectar la fuente de alimentación y poner la bomba del depurador en marcha durante 24 horas para asegurar la completa disolución de la sal.
  6. A continuación poner en marcha el sistema de electrolisis salina, situando el nivel de producción del mismo, de forma que se mantenga el nivel de cloro libre dentro de los niveles recomendados (0.5 - 1.5 ppm).
- NOTA:** para poder determinar el nivel de cloro libre deberá emplear un kit de análisis.
7. En piscinas con fuerte insolación o utilización intensiva, es aconsejable mantener un nivel de 25-30 g./m<sup>3</sup> de estabilizante (ácido isocianúrico). En ningún caso, deberá excederse un nivel de 75 g./m<sup>3</sup>. Esto será de gran ayuda para evitar la destrucción del cloro libre presente en el agua por la acción de la luz solar.

5. FUNCIONAMIENTO:

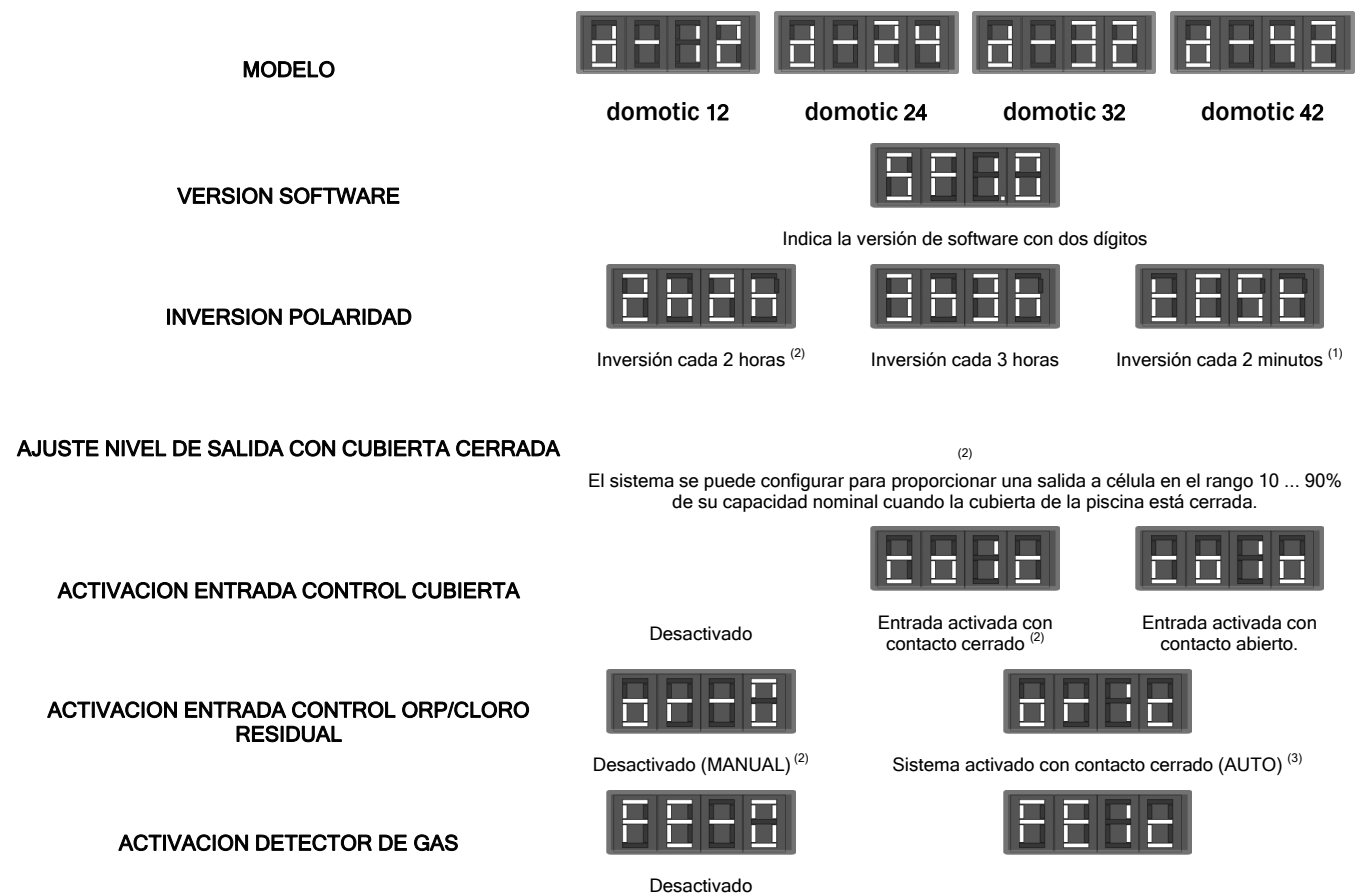
5.1. Sistema detenido

El sistema entra en modo "EN ESPERA" cuando se pulsa sucesivamente la tecla "▼" [1] hasta que el led de "0 %" quede parpadeando. En esta situación no hay producción en la célula de electrolisis.

Fig. 21

5.2. Configuración del sistema

El sistema DOMOTIC Series puede ser reconfigurado a través de un menú accesible desde el panel de control. Para acceder a este menú es necesario detener el sistema previamente, tal y como se describe en el apartado 5.1. Una vez el sistema se encuentre detenido, pulsar durante unos segundos la tecla "▼" [1] hasta que la pantalla de información del sistema [11] muestre la palabra "CONF". Para habilitar la selección de cada uno de las opciones en cada menú, mantener pulsada durante 1 segundo aproximadamente la tecla "SALT TEST" [9]. Una vez seleccionado el parámetro deseado mediante las teclas "▼" [1] / "▲" [14], validar manteniendo pulsada de nuevo durante 1 segundo la tecla "SALT TEST" [9] (ver Fig. 23). El proceso de configuración permite establecer los siguientes parámetros operativos del sistema:



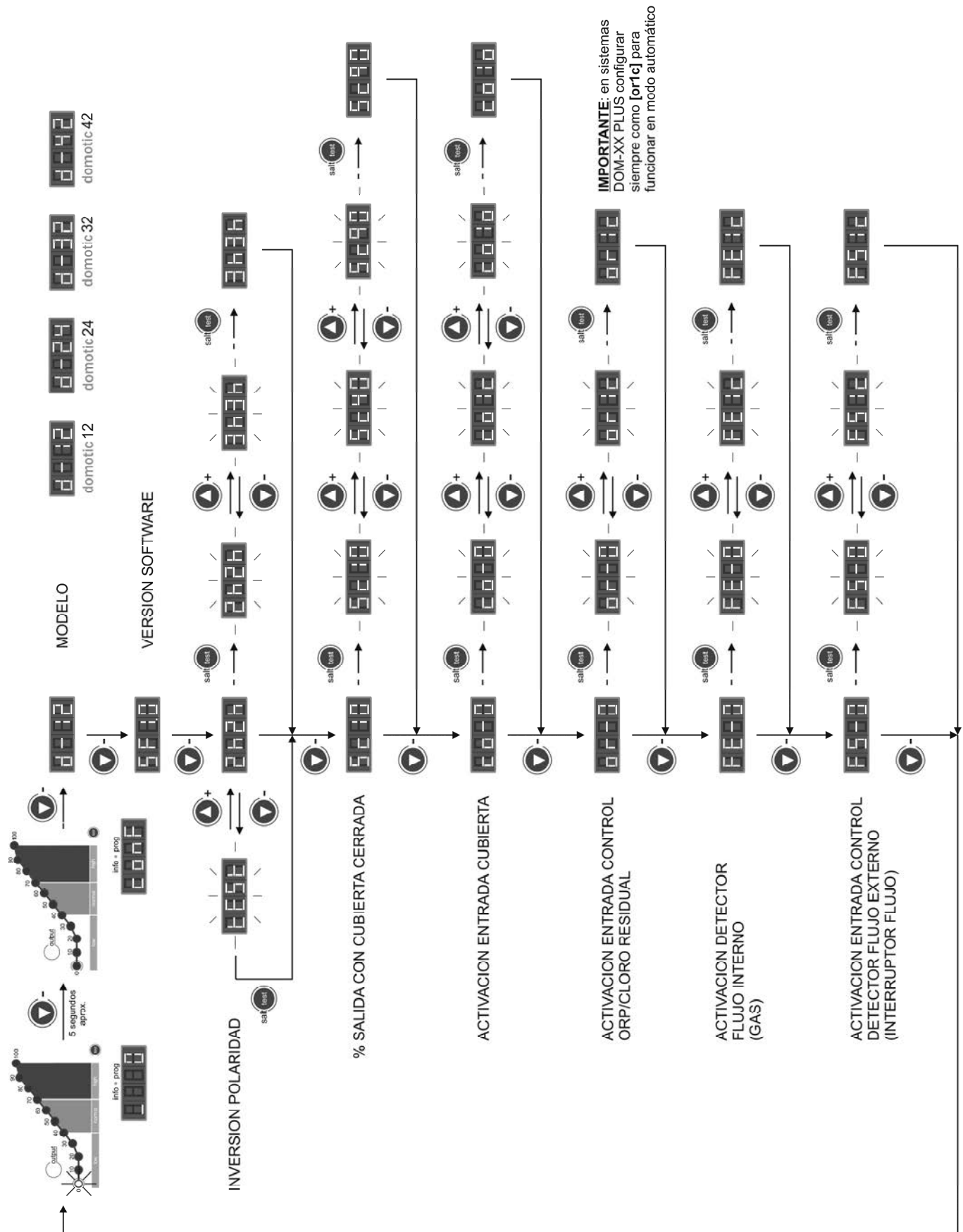


Fig. 23 Diagrama de flujo de programación de sistema

### 5.3. Selección del nivel de producción

Para seleccionar el nivel de producción deseado, pulsar sucesivamente las teclas “▼” [1] / “▲” [14] hasta que el led correspondiente al nivel de producción deseado quede parpadeando. La pantalla de información del sistema [11] indicará el valor correspondiente al led de la escala de producción [4]. Transcurridos unos segundos, el sistema situará su producción en el nivel seleccionado.

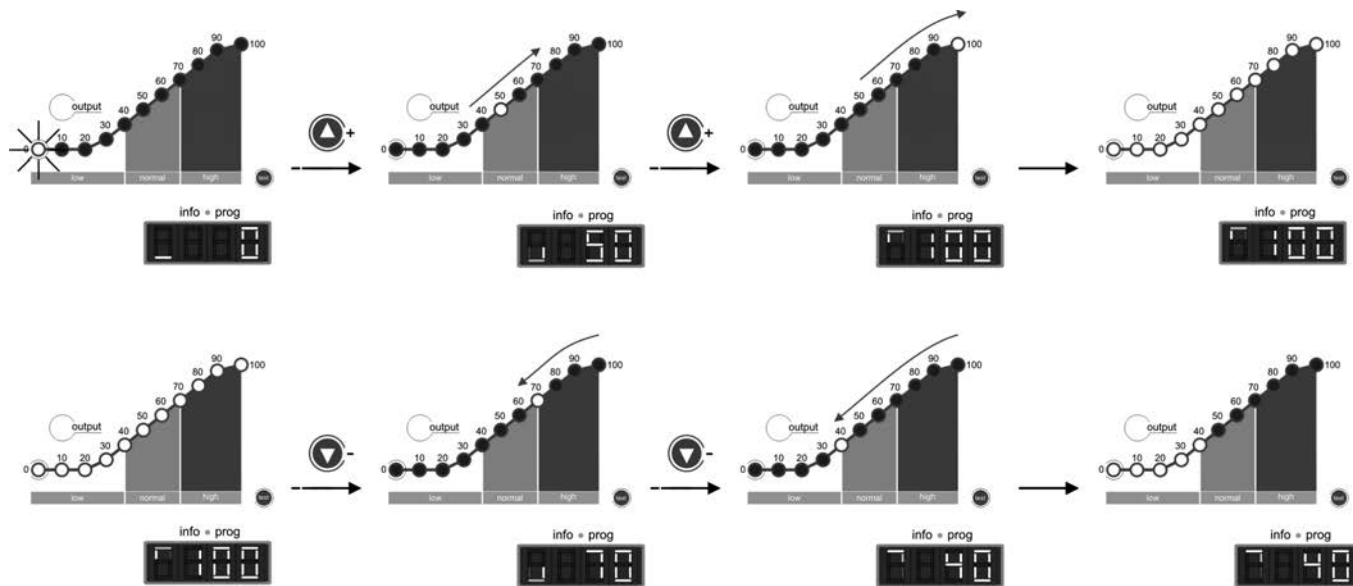



Fig. 24

En condiciones normales el valor de producción [4] deberá coincidir con el valor programado. Sin embargo, en caso de existir un nivel salino en el agua fuera de rango (alarma de “HIGH SALT” [7] o “LOW SALT” [6] activadas), o un problema en la célula de electrolisis (alarma “CELL” [13] activada), el valor de producción alcanzado [4] podría ser inferior al programado y mostrado en la pantalla [11].

 **Modo INVIERNO:** durante periodos de baja temperatura en el agua seleccionar un nivel de producción [1] comprendido entre el 50-60%.

### 5.4. Test de salinidad

Los sistemas DOMOTIC Series disponen de un sistema integrado para detectar el nivel de salinidad del agua de la piscina. Para efectuar dicho test, pulsar la tecla “SALT TEST” [9]. Durante la realización del test, el led de indicación de producción oscilará entre el rango 20%-80% de la escala de salinidad [5], mostrando alternativamente el texto “SALT” y “TEST” en la pantalla de información del sistema [11]. Una vez finalizado el test, el led parpadeará durante unos segundos en la escala [5], sobre el valor de salinidad detectado (ver Fig. 25). Transcurridos unos segundos, el equipo regresará al modo de funcionamiento normal.

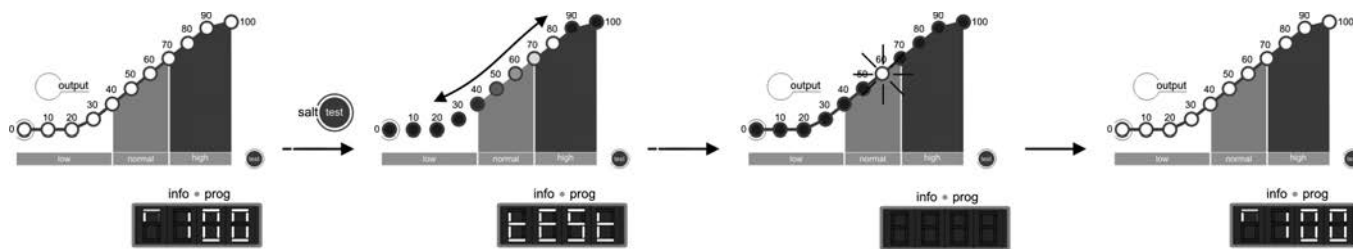


Fig. 25

#### IMPORTANTE:

1. Es posible que el sistema indique niveles de sal inferiores a los reales si la temperatura fuese inferior a 20°C.
2. El test de salinidad no funciona cuando el sistema está detenido por valor de ORP o por alarma de flujo.

**5.5. Controlador de pH /ORP integrado (modelos DOM-XX PH y DOM-XX PLUS)**

Los controladores de pH/ORP integrados salen de fábrica calibrados y con los siguientes parámetros de programación.

PUNTO DE CONSIGNA pH="7.2" / ORP="700 mV"

**IMPORTANTE:** para conseguir una correcta regulación del pH, asegúrese que la alcalinidad del agua está en el rango óptimo recomendado de 60-120 ppm de CaCO<sub>3</sub>. Utilice un kit para comprobar el nivel de Alcalinidad Total del agua, y ajústela manualmente en caso de ser necesario.

**5.5.1. CONEXION DE LA SONDAS DE PH / ORP (modelos DOM-XX PH y DOM-XX PLUS)**

Conectar los sensores de pH / ORP suministrados con la unidad a los conectores BNC correspondientes situados en la base de la unidad (Fig. 26).

**5.5.2. CONEXION DE LA BOMBA DOSIFICADORA**

Los sistemas DOMOTIC Series (modelos DOM-XX PH y DOM-XX PLUS) disponen de un conector en su base para la conexión de una bomba dosificadora para el control del pH del agua de la piscina. La bomba dosificadora puede conectarse por medio del conector CEE22 suministrado a tal efecto junto con el equipo (Fig. 26).

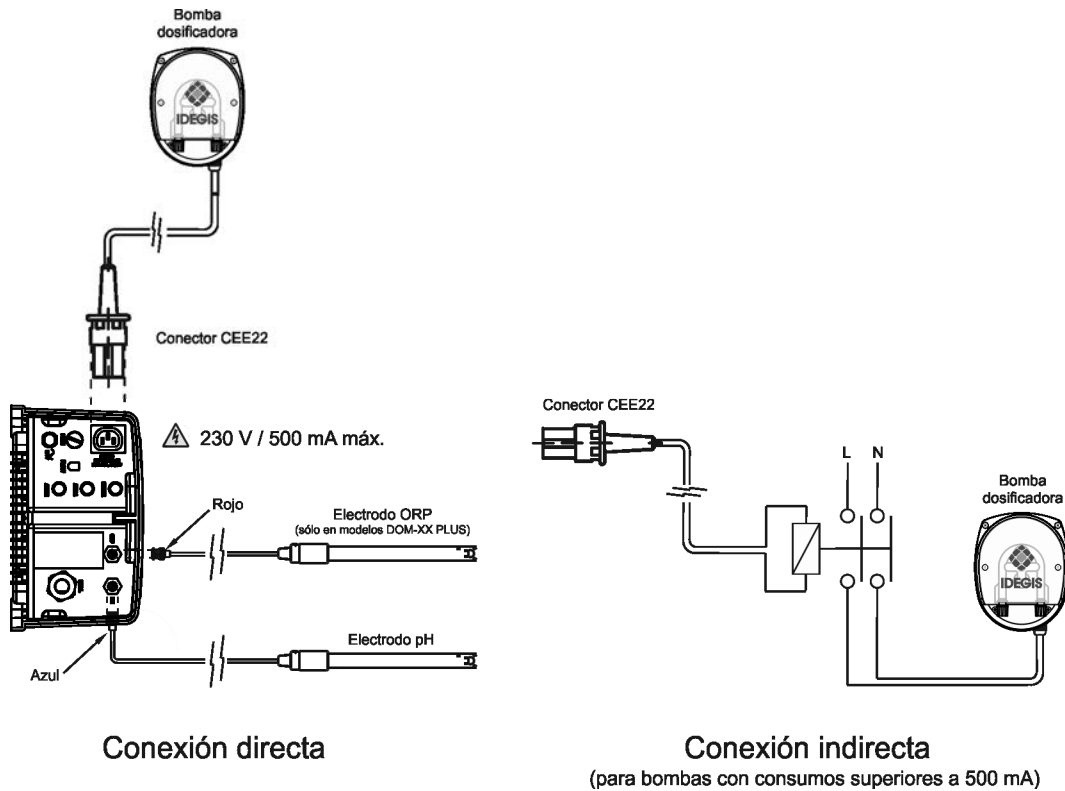


Fig. 26

**5.5.3. PROGRAMACION DEL VALOR DE PH DESEADO**

Mantener pulsada la tecla "SET" [20] hasta que en la pantalla [18] indique el valor de pH deseado dentro del el rango 7.0 - 7.8. Una vez seleccionado, soltar.

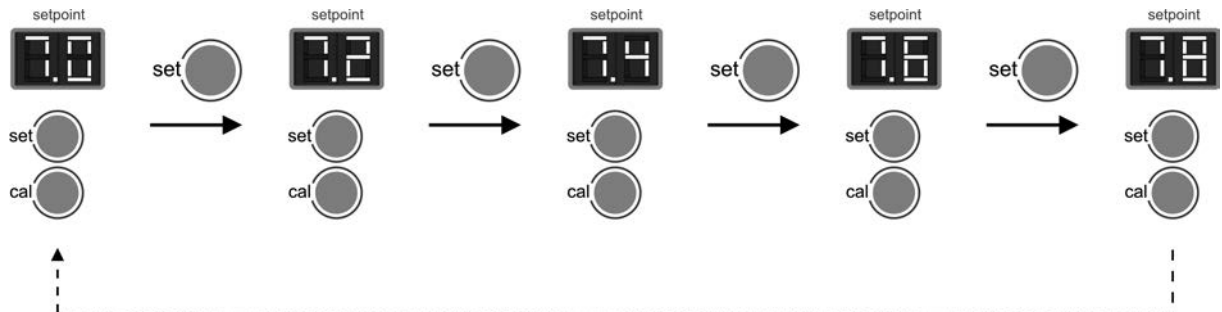


Fig. 27

5.5.4. PROGRAMACION DEL VALOR DE ORP DESEADO (sólo en modelos DOM-XX PLUS)

Mantener pulsada la tecla "SET" [26] hasta que en la pantalla [24] indique el valor de ORP deseado dentro del el rango 600 - 850 mV. Una vez seleccionado, soltar.

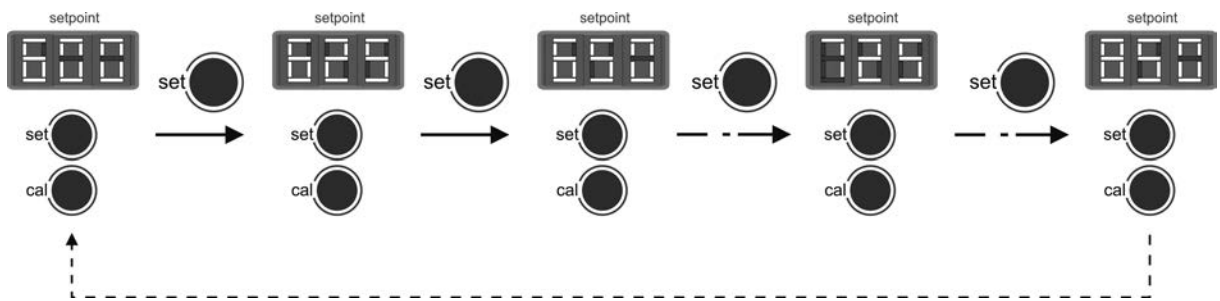


Fig. 27b

5.5.5. CONFIGURACION DE LA PARADA DE SEGURIDAD DE LA BOMBA DOSIFICADORA (FUNCION PUMP\_STOP)

El controlador de pH integrado dispone de un sistema de seguridad (FUNCION PUMP-STOP) que actúa sobre la bomba dosificadora el cual permite evitar las siguientes situaciones:

- Daños en la bomba al funcionar en vacío (producto pH minus agotado).
- Sobre-dosificación de producto minorador de pH (sensor dañado o agotado).
- Problemas de regulación del pH debido a una elevada alcalinidad en el agua (llenado de piscina, niveles de carbonato elevados).

Cuando la FUNCION PUMP-STOP esté activada (configurada por defecto), el sistema detendrá la bomba dosificadora transcurrido el tiempo programado sin que se haya alcanzado el valor de consigna de pH.

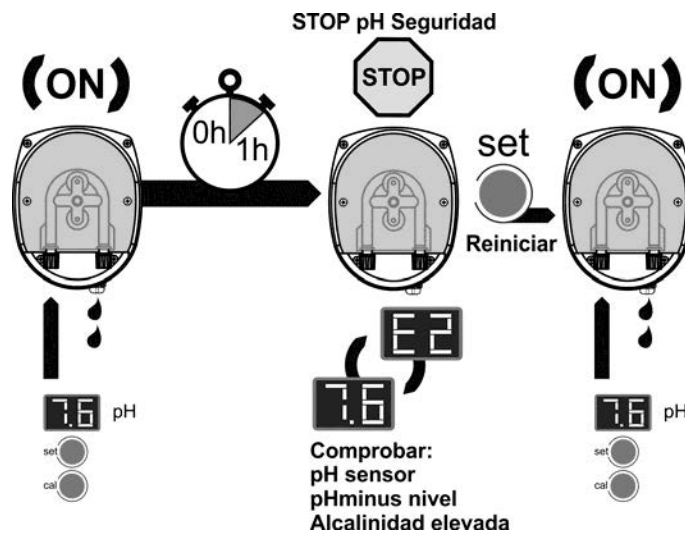


Fig. 27c.

La FUNCION PUMP-STOP viene configurada de fábrica a 60 MINUTOS. Para modificar este valor, realizar el siguiente procedimiento:



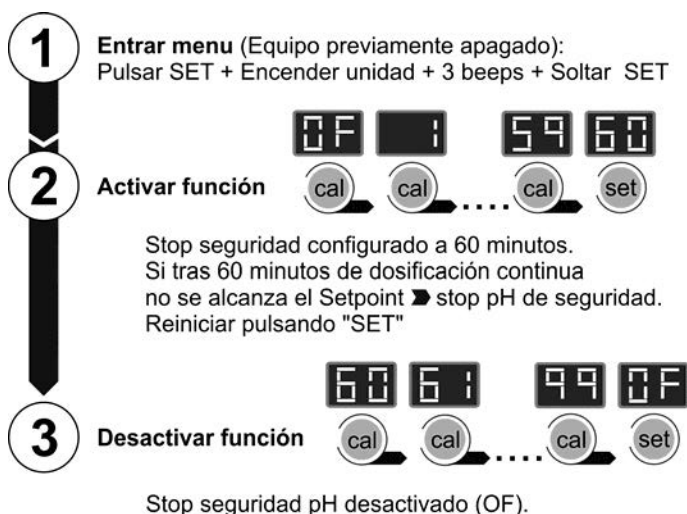


Fig. 27d.

## 5.6. Alarmas

- **NIVEL DE SAL ELEVADO**

En caso que se hubiera añadido sal en exceso, la fuente de alimentación disminuirá de forma automática el nivel de producción respecto del seleccionado. El led "HIGH SALT" [7] permanecerá iluminado. En este caso, vaciar una parte de la piscina (por ejemplo, un 10%), y añade agua fresca para disminuir la concentración de sal. Para un conocimiento preciso del nivel de sal recomendamos que utilice un medidor portátil de salinidad-temperatura.

- **NIVEL DE SAL BAJO**

En caso que el nivel de sal en el agua de la piscina estuviese por debajo del recomendado, la fuente de alimentación no podrá alcanzar el nivel de salida seleccionado. El led "LOW SALT" [6] permanecerá iluminado. En este caso, determinar el nivel salino del agua y añade la cantidad de sal necesaria. El tipo de sal común (NaCl) indicada para electrolisis salina no debe presentar aditivos (antiapelmazantes, yoduros) y debe ser apta para el consumo humano. Es posible que el sistema indique un nivel de sal bajo si la temperatura fuese inferior a 20°C. Para un conocimiento preciso del nivel de sal recomendamos que utilice un medidor portátil de salinidad-temperatura.

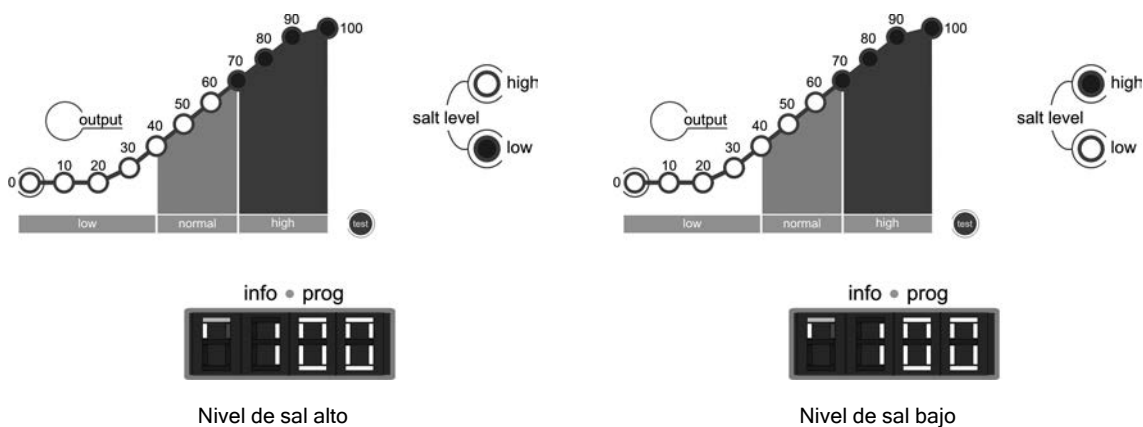
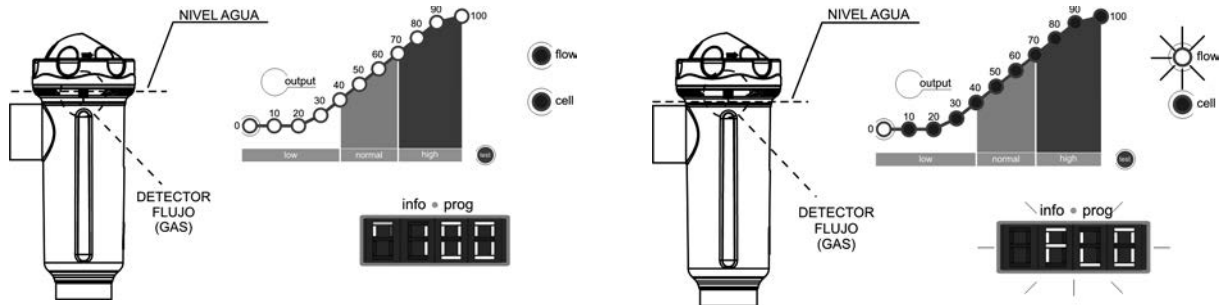


Fig. 28

- **NIVEL DE AGUA EN CELULA / DETECTOR DE FLUJO (GAS)**

Si en cualquier momento se formara una burbuja de aire o gas en la parte superior de la célula de electrolisis y el DETECTOR DE FLUJO no estuviese sumergido, el sistema desconectará automáticamente la producción, quedando el led "FLOW" [12] parpadeando, apareciendo además el mensaje "FLO" en la pantalla de información del sistema [11]. El sistema se rearma automáticamente una vez se restituye el paso de agua por la célula o la burbuja es evacuada.



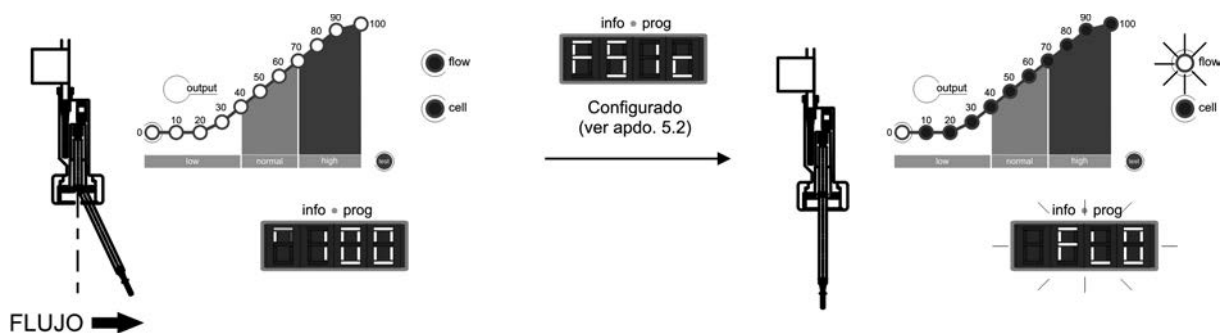
1. Detector de gas sumergido. Flujo correcto. Sistema operativo.

2. Gas detectado. Flujo insuficiente. Sistema detenido.

Fig. 29

- **DETECTOR DE FLUJO EXTERNO / INTERRUPTOR FLUJO OPCIONAL (no suministrado con el equipo)**

Si durante el proceso de configuración de sistema (apartado 5.2) se activa la entrada para el interruptor de flujo externo, el sistema desconectará automáticamente la producción, quedando el led "FLOW" [12] parpadeando, apareciendo además el mensaje "FLO" en la pantalla de información del sistema [11]. El sistema se rearma automáticamente una vez se restituye el paso de agua por el interruptor de flujo.



1. Detector de flujo activado (contacto cerrado). Sistema operativo.

2. Detector de flujo en reposo (contacto abierto). Sistema detenido.

Fig. 30

- ELECTRODOS**

El sistema DOMOTIC Series dispone de un led de indicación de mal funcionamiento en los electrodos de la célula de electrolisis [13]. Este mal funcionamiento normalmente será debido al proceso de pasivación de los electrodos una vez alcanzado el fin de su tiempo de vida útil. No obstante, y a pesar de tratarse de un sistema auto-limpiante, este mal funcionamiento también podría deberse a la formación excesiva de incrustaciones sobre los electrodos si el sistema se hace funcionar en aguas de gran dureza y pH elevado.

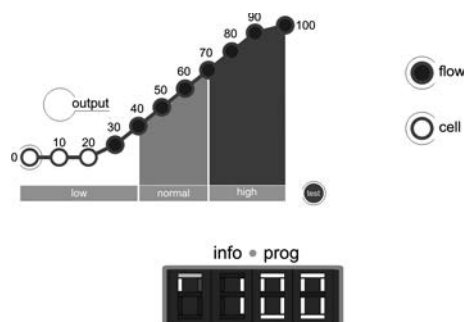


Fig. 31A

- TIEMPO DE FUNCIONAMIENTO (versión firmware 3.3.0 y posteriores)**

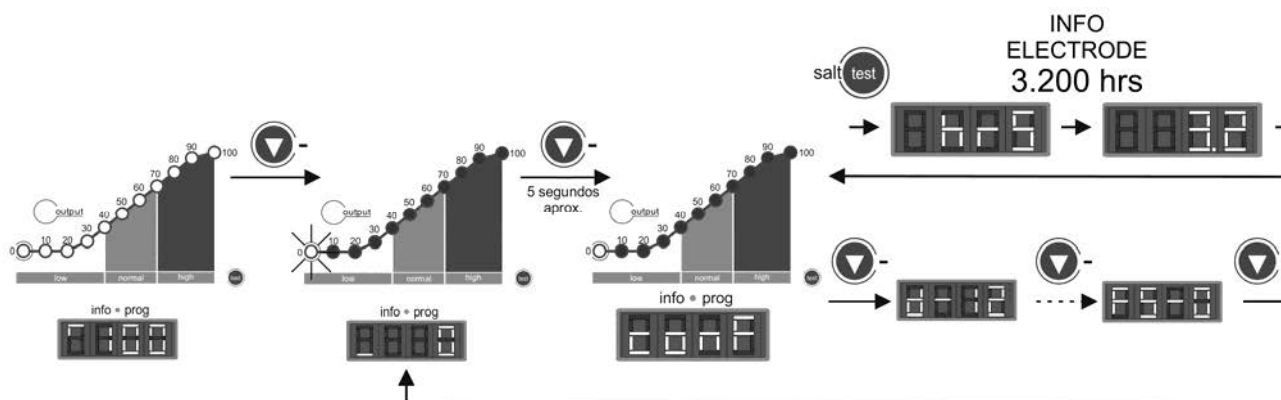


Fig. 31B

- VALOR PH / ORP FUERA DE RANGO (sólo en modelos DOM-XX PH y DOM-XX PLUS)**

El controlador de pH/ORP integrado dispone de dos led ALARMA, los cuales se iluminan siempre que se detecte un valor anómalo de pH inferior a 6.5 "LOW" [19] o superior a 8.5 "HIGH" [16]; o de ORP fuera del rango 600 mV "LOW" [25] - 850 mV "HIGH" [22]. Cuando el regulador detecta una alarma de PH activa, abre la salida de control de la bomba dosificadora (pH).

## 6. MANTENIMIENTO:

### 6.1. Mantenimiento de la célula de electrolisis

La célula debe mantenerse en condiciones adecuadas para asegurar un largo tiempo de funcionamiento. El sistema de electrolisis salina dispone de un sistema de limpieza automática de los electrodos que evita que se formen incrustaciones calcáreas sobre los mismos, por lo que no es previsible que sea necesario efectuar limpieza alguna de los mismos. No obstante, si fuese necesario efectuar la limpieza en el interior de la célula, proceder de la siguiente forma:

1. Desconectar la alimentación 230 Vac del equipo.
2. Desenroscar la tuerca de cierre situada en el extremo donde se encuentran los electrodos y sacar el paquete de electrodos.
3. Utilizar una solución diluida de ácido clorhídrico (una parte de ácido en 10 partes de agua), sumergiendo el paquete de electrodos en la misma durante 10 minutos como máximo.
4. NUNCA RASPAR NI CEPILLAR LA CELULA O LOS ELECTRODOS.

Los electrodos de un sistema de electrolisis salina están constituidos por láminas de titanio recubiertas de una capa de óxidos de metales nobles. Los procesos de electrolisis que tienen lugar sobre su superficie producen su desgaste progresivo, por lo que, con el fin de optimizar el tiempo de duración de los mismos, se deberían tener en cuenta los siguientes aspectos:

1. Pese a que se trata de sistemas de electrolisis salina AUTOLIMPIANTES, un funcionamiento prolongado del sistema a valores de pH por encima de 7,6 en aguas de elevada dureza puede producir la acumulación de depósitos calcáreos sobre la superficie de los electrodos. Estos depósitos deteriorarán progresivamente el recubrimiento, ocasionando una disminución de su tiempo de vida útil.
2. La realización de limpiezas/lavados frecuentes de los electrodos (como los descritos anteriormente) acortará su vida útil.
3. El funcionamiento prolongado del sistema a salinidades inferiores a 3 g./l. ocasiona un deterioro prematuro de los electrodos.
4. La utilización frecuente de productos algicidas con altos contenidos de cobre, puede producir la deposición del mismo sobre los electrodos, dañando progresivamente el recubrimiento. Recuerde que el mejor algicida es el cloro.

### 6.2. Calibración del sensor de pH (sólo en modelos DOM-XX PH y DOM-XX PLUS)

El controlador de pH integrado dispone de dos modos de calibración del sensor de pH: "FAST" (rápido) y "ESTANDAR". Resulta recomendable efectuar un calibración del sensor de pH al menos una vez al mes.

#### 6.2.1. MODO "FAST"

El modo "FAST" permite la calibración rutinaria del sensor frente a pequeñas desviaciones del mismo **sin necesidad de extraer el sensor de la instalación ni la utilización de disoluciones patrón.**

##### PROCEDIMIENTO:

1. Asegurarse que el punto donde se encuentra insertado el sensor está inundado, y la depuradora está en recirculación.
2. Mediante un kit de medida de pH, medir el pH actual del agua de la piscina.
3. Pulsar la tecla "CAL" [17] durante 5 seg. aproximadamente hasta que el equipo emita un pitido y soltar la tecla. La pantalla de indicación del valor de pH programado [18], indicará "7.0" parpadeando.
4. Mantener pulsada la tecla "SET" [20] hasta que aparezca el valor de pH medido en el agua anteriormente mediante el correspondiente kit. Una vez alcanzado, soltar y pulsar la tecla "CAL" [17]. Si no se ha detectado ningún error, el sistema habrá quedado calibrado.

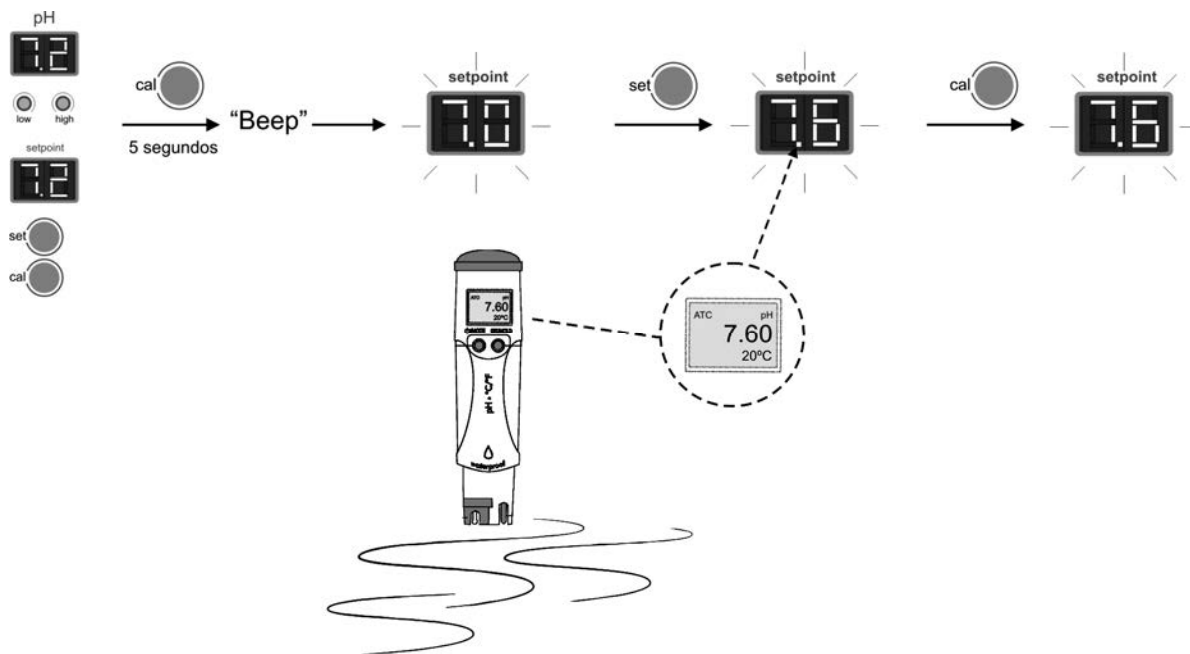


Fig. 32

### 6.2.2. MODO "ESTANDAR"

El modo "ESTANDAR" permite la calibración precisa del sensor mediante el empleo de dos disoluciones patrón de pH 7.0 y 4.0, sin embargo requiere la extracción del sensor de la instalación.

#### PROCEDIMIENTO:

**IMPORTANTE:** antes de proceder al cierre de las válvulas del by-pass, detener el sistema tal y como se describe en el apartado 5.1.

1. Extraer el sensor del portasondas y lavarlo con abundante agua.

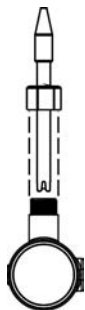


Fig. 33

2. Pulsar la tecla "CAL" [17] aproximadamente durante 5 segundos hasta que el equipo emita un pitido, y sin soltar ésta, pulsar la tecla "SET" [20] durante unos segundos, hasta que la pantalla de indicación de pH [15] indique "7.0" parpadeando.
3. Agitar suavemente el sensor para desprender las gotas de agua que pudiesen quedar adheridas al mismo e introducirlo en la disolución patrón pH=7.0 (color verde). Agitar suavemente unos segundos y pulsar la tecla "CAL" [17]. Una vez estabilizada la lectura, en la pantalla [15] parpadeará la indicación "4.0".

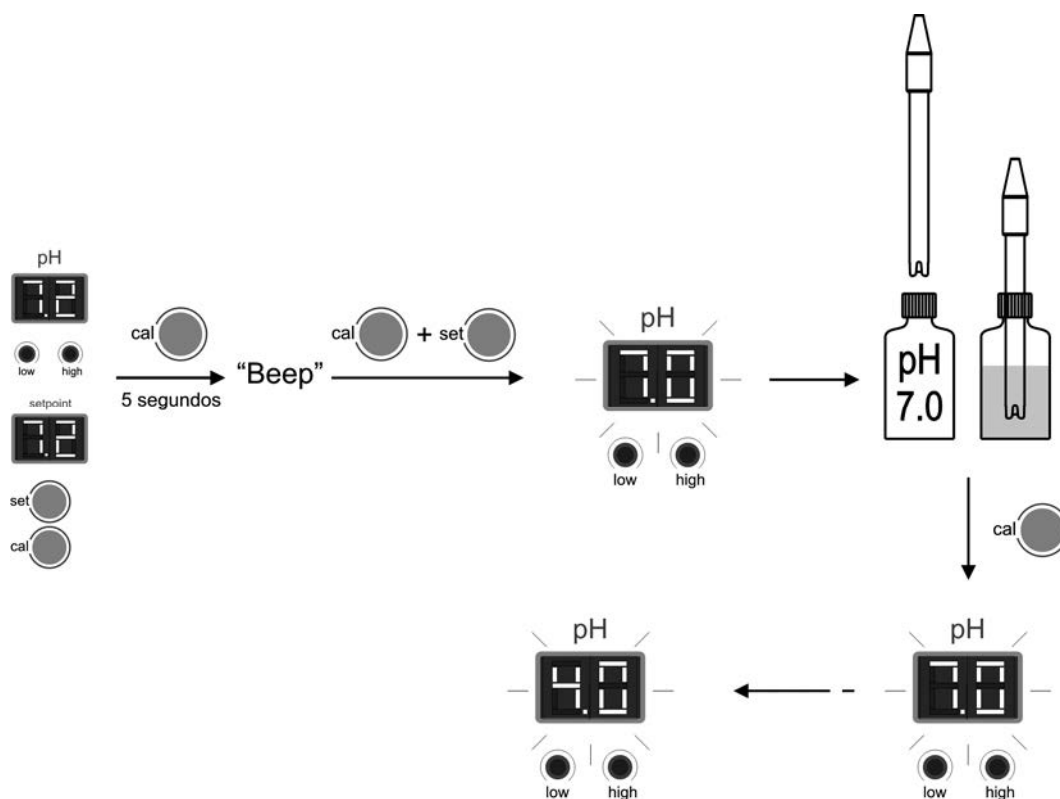


Fig. 34

4. Sacar el sensor de la disolución y enjuagarlo con agua abundante.
5. Agitar suavemente el sensor para desprender las gotas de agua que pudiesen quedar adheridas al mismo e introducirlo en la disolución patrón pH=4.0 (color rojo). Agitar suavemente unos segundos y pulsar la tecla "CAL" [17]. Una vez estabilizada la lectura, el regulador saldrá automáticamente del modo de calibración y quedará operativo.

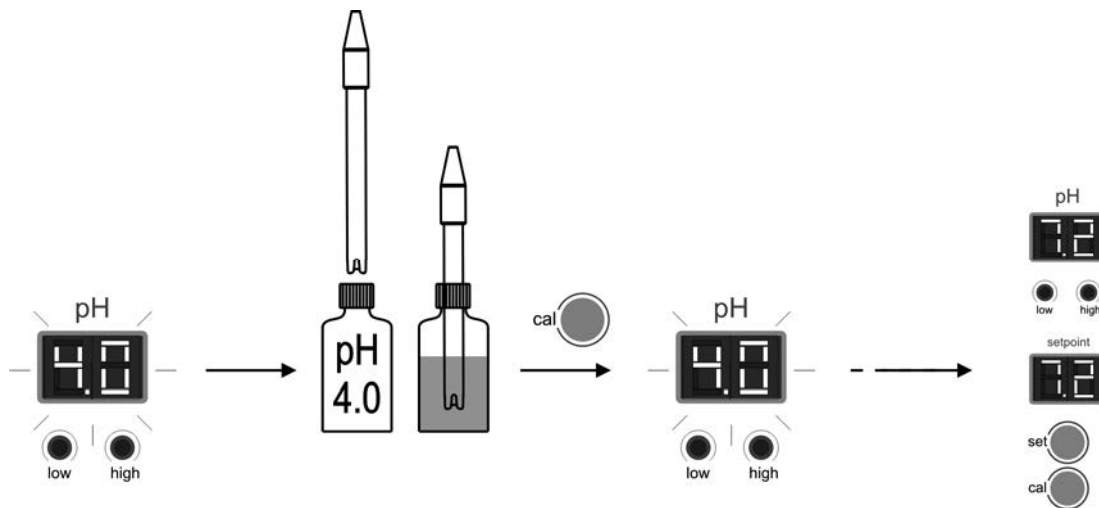


Fig. 35

**MENSAJES DE ERROR:**



Si el proceso de calibración se interrumpe por cualquier motivo, el regulador saldrá automáticamente del modo calibración transcurridos unos segundos sin que se detecte la intervención del usuario. En este caso, aparecerá durante unos instantes la indicación “E1” en la pantalla [15].



Si el valor de pH detectado durante la calibración es muy diferente al esperado (p.e., sonda defectuosa, etc.), la pantalla [15] indicará “E2”, no permitiéndose el calibrado del mismo.



Si la medida de pH es inestable durante el proceso de calibración, aparecerá el código “E3” en la pantalla [15]. Asimismo, no se permitirá la calibración del sensor.

**6.3. Calibración del sensor de ORP (sólo en modelos DOM-XX PLUS)**

La frecuencia de recalibración del equipo deberá determinarse en cada aplicación en concreto. No obstante, recomendamos efectuarla al menos, una vez al mes durante al época de utilización de la piscina. El regulador de ORP dispone de un sistema de calibración automática del sensor de ORP mediante el empleo de una disolución patrón de 470 mV.

**PROCEDIMIENTO:**

**IMPORTANTE:** antes de proceder al cierre de las válvulas del by-pass, desconectar el sistema desde el panel de control (ver Sección 5.1).

1. Extraer el sensor del portasondas y lavarlo con abundante agua.

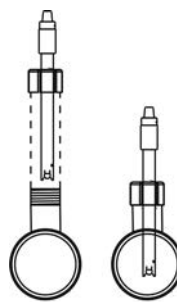


Fig. 36

2. Presione la tecla “CAL” [23] durante unos segundos hasta que en la pantalla de indicación de ORP [24] parpadee e indique “470”.
3. Agite el sensor suavemente de forma que se eliminen las posibles gotas de agua que pudiesen haber quedado adheridas al mismo, y a continuación, introducirlo en la disolución de calibración (470 mV). Agitar suavemente durante unos segundos, y presione la tecla “CAL” [23]. Si el proceso de calibración ha concluido satisfactoriamente, se escuchará un pitido largo, quedando el controlador calibrado y listo para funcionar.

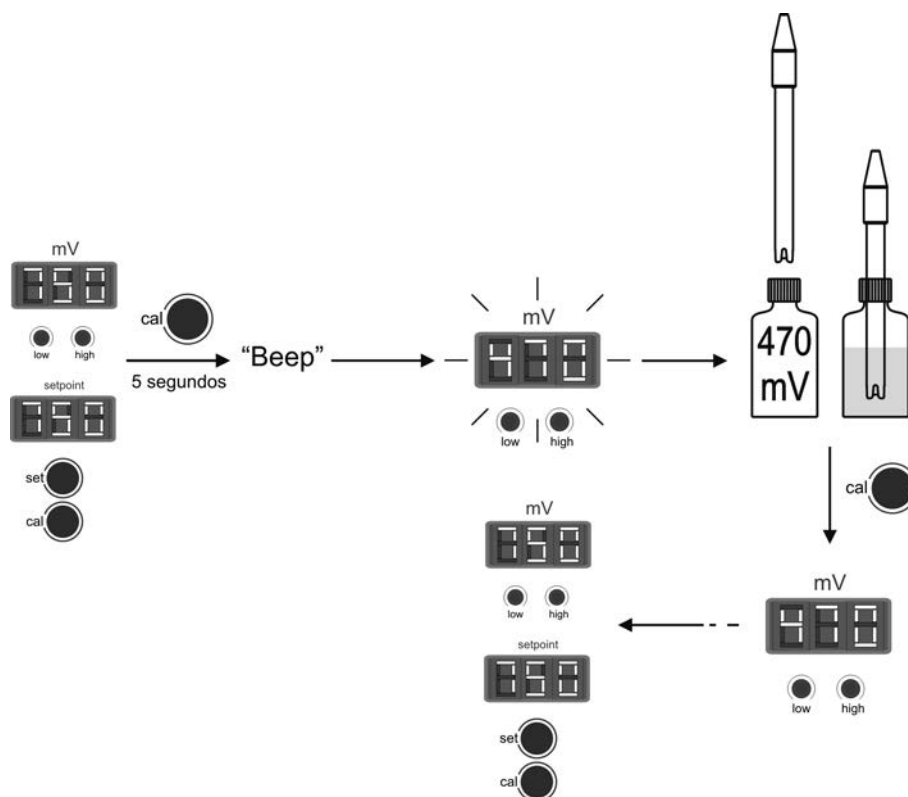


Fig. 37

MENSAJES DE ERROR:

Si el proceso de calibración se interrumpe por cualquier motivo, el regulador saldrá automáticamente del modo calibración transcurridos unos segundos sin que se detecte la intervención del usuario. En este caso, aparecerá durante unos instantes la indicación "E1" en la pantalla [21].



Si el valor de ORP detectado durante la calibración es muy diferente al esperado (p.e., sensor defectuoso, etc.), la pantalla [21] indicará "E2", no permitiéndose el calibrado del mismo.



Si la medida de ORP es inestable durante el proceso de calibración, aparecerá el código "E3" en la pantalla [21]. Asimismo, no se permitirá la calibración del sensor.

**6.4. Mantenimiento de los sensores de pH/ORP**

1. Verificar que la membrana del sensor permanezca en todo momento húmeda.
2. Si no va a utilizar el sensor durante un período largo, consévelo sumergido en una disolución de conservación a pH=4.0
3. Para limpiar el sensor de posible suciedad, evitar utilizar materiales abrasivos que puedan arañar la superficie de medida.
4. **Los sensores de pH/ORP son una parte consumible y necesitarán ser reemplazados transcurrido un tiempo de operación.**

**7. PROBLEMAS / SOLUCIONES:** \_\_\_\_\_

Cualquier acción requerida para solucionar posibles problemas en el equipo debe realizarse siempre con éste desconectado de la red eléctrica. Cualquier problema no contemplado en el siguiente listado deberá ser solucionado por un técnico responsable de IDEGIS.

| PROBLEMA  | SOLUCION  |
|---|---|
| <p><b>El indicador de producción indica siempre "0" en cualquier nivel de producción seleccionado</b></p> | <p>Comprobar los electrodos.</p> <p>Comprobar las conexiones entre la fuente de alimentación y la célula de electrolisis.</p> <p>Comprobar la concentración de sal.</p>   |
| <p><b>La fuente de alimentación no se conecta</b></p>   | <p>Comprobar que el sistema está convenientemente conectado a 230 V/50-60 Hz en el cuadro de maniobra de la piscina.</p> <p>Comprobar el estado del fusible situado en la parte inferior del equipo.</p>  |
| <p><b>Los niveles de cloro libre en el agua son demasiado bajos</b></p>                                   | <p>Comprobar que el sistema produce cloro en las boquillas de impulsión.</p> <p>Verificar que los parámetros químicos del agua (pH, cloro combinado, ácido isocianúrico) son correctos.</p> <p>Aumentar el tiempo de filtración.</p> <p>Añadir estabilizante de cloro (ácido cianúrico) hasta alcanzar un nivel de 25 - 30 g/m<sup>3</sup>.</p>   |
| <p><b>El controlador de pH/ORP indica siempre valores altos, o las lecturas son inestables</b></p>        | <p>El cable de conexión del sensor de pH/ORP está dañado. Limpie los contactos o cambie el cable.</p> <p>El sensor de pH/ORP tiene una burbuja de aire en la zona de la membrana. Instale el sensor en posición vertical. Agitar suavemente hasta que desaparezca la burbuja.</p> <p>Fallo del sensor de pH/ORP. El cable de conexión es demasiado largo o está cerca de fuentes de interferencia electromagnética (motores, etc.). Sustituya el sensor. Instale el equipo lo más cerca posible del sensor.</p> |
| <p><b>Imposible calibrar el sensor de pH/ORP</b></p>  | <p>La disolución de calibración está caducada o contaminada.</p> <p>La membrana del sensor está bloqueada. Comprobar que la membrana no esté dañada. Limpiar el sensor con ácido diluido en agua, agitando suavemente.</p> <p>Fallo del sensor. Sustituir por uno nuevo.</p>  |
| <p><b>Respuesta lenta del sensor de pH/ORP</b></p>  | <p>Sensor cargado electrostáticamente. Durante la fase de calibración los sensores no deben ser secados con papel o fibras. Limpiar exclusivamente con agua y agitar suavemente.</p> <p>Renovación insuficiente del agua analizada (no hay flujo de agua en el punto de análisis). Comprobar que el extremo del sensor está sumergido en el punto de análisis, y no hay burbujas de aire.</p>   |



## 8. CARACTERISTICAS TECNICAS:

### ESPECIFICACIONES TECNICAS:

#### Tensión de servicio estándar

230V AC - 50/60 Hz.  
Cable: 3 x 1.0 mm<sup>2</sup>, long. 2 m.  
Domotic Series 12 0.36 A  
Domotic Series 24 0.72 A  
Domotic Series 32 0.89 A  
Domotic Series 42 0.89 A

#### Fusible

Domotic Series 12 2A T (5x20 mm)  
Domotic Series 24 3.15A T (5x20 mm)  
Domotic Series 32 4A T (5x20 mm)  
Domotic Series 42 4A T (5x20 mm)

#### Tensión de salida

8 - 9 V DC (24 V DC DOM-42)  
Cable 3 x 4 mm<sup>2</sup>, long. 2 m.  
Domotic Series 12 12 A (2x6 A)  
Domotic Series 24 24 A (2x12 A)  
Domotic Series 32 32 A (2x16 A)  
Domotic Series 42 42 A (6x7 A)

#### Producción

Domotic Series 12 10 - 12 g./h.  
Domotic Series 24 20 - 24 g./h.  
Domotic Series 32 25 - 32 g./h.  
Domotic Series 40 34 - 42 g./h.

#### Caudal recirculación mínimo

Domotic Series 12 2 m<sup>3</sup>/h.  
Domotic Series 24 4 m<sup>3</sup>/h.  
Domotic Series 32 6 m<sup>3</sup>/h.  
Domotic Series 42 8 m<sup>3</sup>/h.

#### Número de electrodos

Domotic Series 12 5  
Domotic Series 24 7  
Domotic Series 32 7  
Domotic Series 42 13

#### Peso neto (incluido embalaje)

Domotic Series 12 11 Kg.  
Domotic Series 24 13 Kg.  
Domotic Series 32 15 Kg.  
Domotic Series 42 17 Kg.

### CARACTERISTICAS GENERALES:

#### Sistema de control

- Microprocesador.
- Teclado de membrana con pulsadores de control y leds indicadores de funcionamiento.
- E/S de control: 3 entradas tipo contacto libre de tensión para detector de flujo externo, estado de cubierta automática y controlador de ORP / cloro residual.
- Salida a célula: control de producción (11 niveles discretos).
- Controlador de pH integrado.  
(sólo en modelos DOM -XXPH y DOM-XX PLUS)
- Controlador de ORP integrado.  
(sólo en modelos DOM-XX PLUS).

#### Auto-limpieza

Automática, por inversión de polaridad

#### Temperatura de trabajo

De 0°C a +40°C  
Refrigeración por convección natural

#### Material

Fuente de alimentación / terminal mural  
o ABS  
Célula de electrolisis y porta-sondas  
o Metacrilato transparente

#### Sensor pH (modelos DOM-XX PH y DOM-XX PLUS)

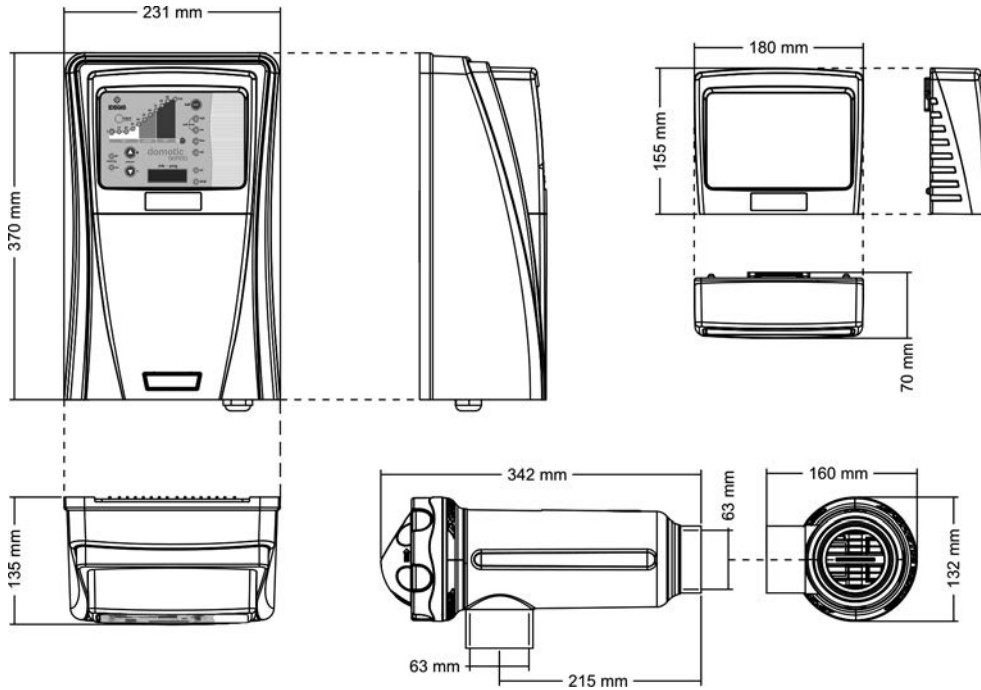
Cuerpo: plástico (color azul)  
Rango 0 -12 pH  
Electrolito sólido

#### Sensor ORP (modelos DOM-XX PLUS)

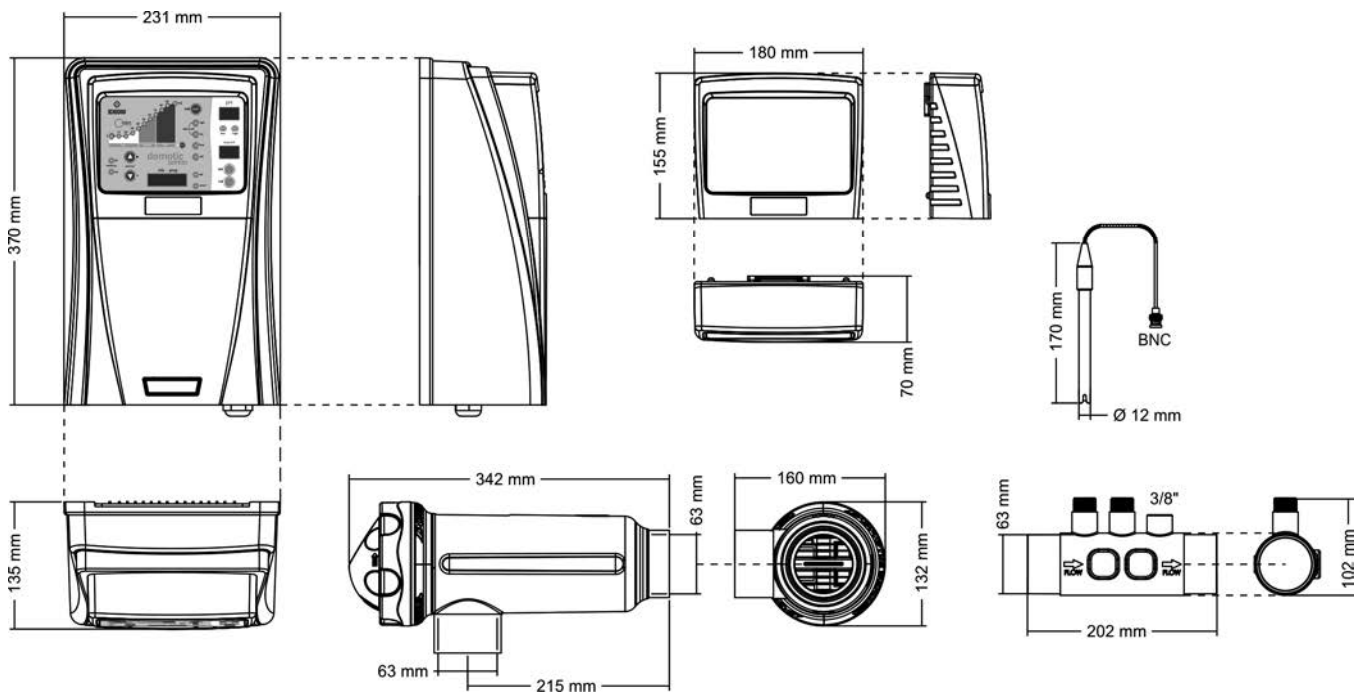
Cuerpo: plástico (color rojo)  
Rango 0 - 1000 mV  
Electrolito sólido

## Dimensiones

### DOMOTIC (modelos DOM-XX)



### DOMOTIC PH / PLUS (modelos DOM-XX PH y DOM-XX PLUS)



## 9. CONDICIONES DE GARANTIA: \_\_\_\_\_

### 9.1. ASPECTOS GENERALES

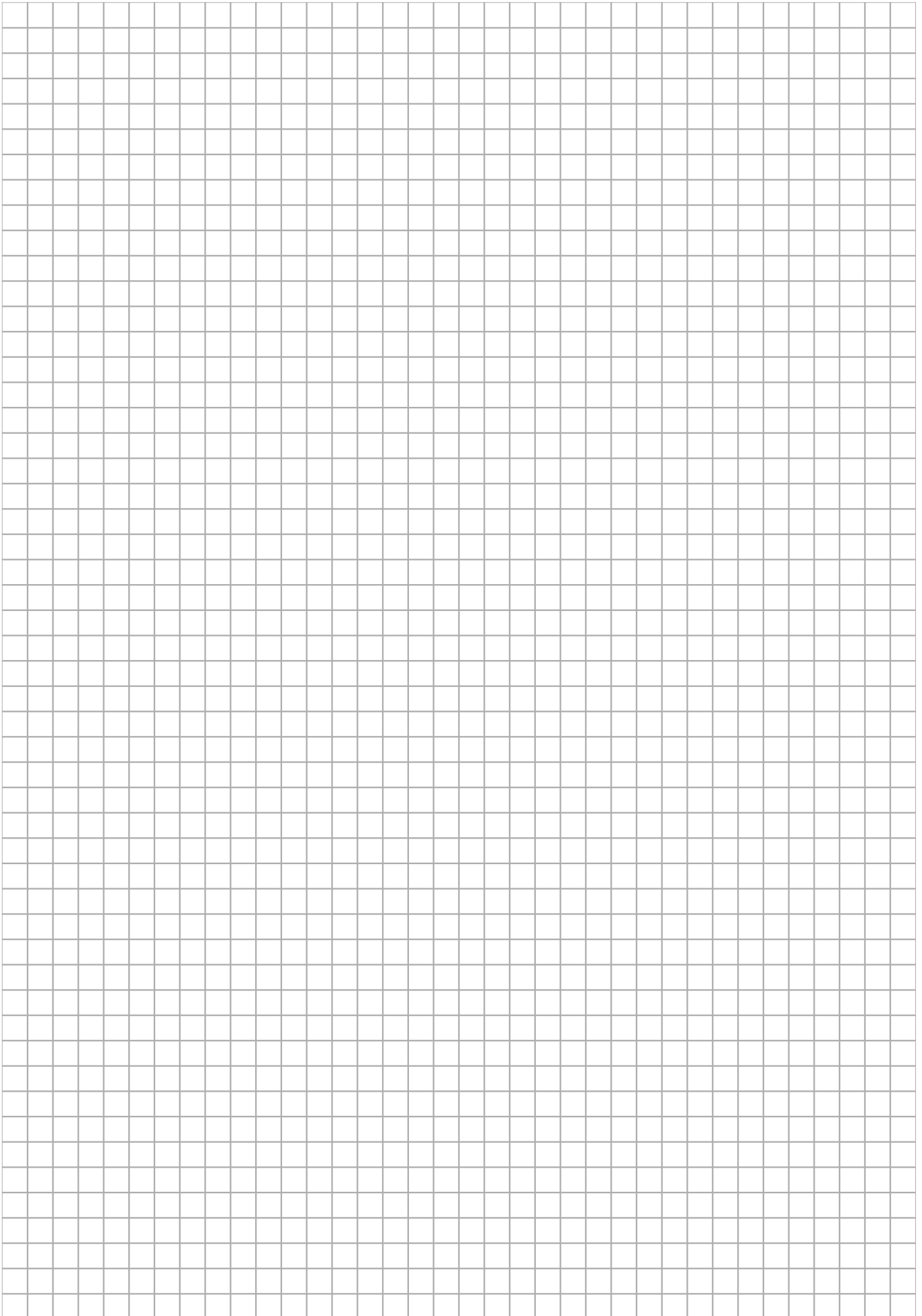
- 9.1.1. De acuerdo con estas disposiciones, el vendedor garantiza que el producto correspondiente a esta garantía no presenta ninguna falta de conformidad en el momento de su entrega.
- 9.1.2. El Periodo de Garantía Total es de 3 AÑOS.
- 9.1.3. Garantías particulares:
- 9.1.3.1. Los electrodos están cubierto por una garantía especial de 3 AÑOS <sup>(1)</sup> ó 5.000 horas (lo que antes se cumpla), sin extensiones.
  - 9.1.3.2. Los sensores de pH/ORP están cubiertos por una garantía de 6 MESES sin extensiones.
  - 9.1.3.3. Estos periodos de garantía particulares está especialmente sujeto a las limitaciones expuestas en el apartado §9.3.2.
- 9.1.4. El periodo de Garantía se calculará desde el momento de su entrega al comprador.
- 9.1.5. Si se produjera una falta de conformidad del Producto y el comprador lo notificase al vendedor durante el Periodo de Garantía, el vendedor deberá reparar o sustituir el Producto a su propio coste en el lugar donde considere oportuno, salvo que ello sea imposible o desproporcionado.
- 9.1.6. Cuando no se pueda reparar o sustituir el Producto, el comprador podrá solicitar una reducción proporcional del precio o, si la falta de conformidad es suficientemente importante, la resolución del contrato de venta.
- 9.1.7. Las partes sustituidas o reparadas en virtud de esta garantía no ampliarán el plazo de la garantía del Producto original, si bien dispondrán de su propia garantía.
- 9.1.8. Para la efectividad de la presente garantía, el comprador deberá acreditar la fecha de adquisición y entrega del Producto.
- 9.1.9. Cuando hayan transcurrido más de seis meses desde la entrega del Producto al comprador y éste alegue falta de conformidad de aquél, el comprador deberá acreditar el origen y la existencia del defecto alegado.
- 9.1.10. El presente Certificado de Garantía no limita o prejuzga los derechos que correspondan a los consumidores en virtud de normas nacionales de carácter imperativo.

### 9.2. CONDICIONES PARTICULARES

- 9.2.1. Para la eficacia de esta garantía, el comprador deberá seguir estrictamente las indicaciones del Fabricante incluidas en la documentación que acompaña al Producto, cuando ésta resulte aplicable según la gama y modelo del Producto.
- 9.2.2. Cuando se especifique un calendario para la sustitución, mantenimiento o limpieza de ciertas piezas o componentes del Producto, la garantía sólo será válida cuando se haya seguido dicho calendario correctamente.

### 9.3. LIMITACIONES

- 9.3.1. La presente garantía únicamente será de aplicación en aquellas ventas realizadas a consumidores, entendiéndose por "consumidor", aquella persona que adquiere el Producto con fines que no entran en el ámbito de su actividad profesional.
- 9.3.2. Los periodos de garantía particulares establecidos en el apartado §9.1.3., no serán de aplicación en caso de utilización comercial del producto en instalaciones de acceso público (hoteles, centros deportivos, comunidades de propietarios, colegios, etc.). En estos casos se aplicará, a partir de las 4.500 horas verificables de funcionamiento, una garantía de tipo proporcional al tiempo de funcionamiento restante hasta el período de garantía original de 5.000 horas.
- 9.3.3. No se otorga ninguna garantía respecto del normal desgaste por uso del producto, ni tampoco respecto a las piezas, componentes y/o materiales fungibles o consumibles (a excepción del electrodo).
- 9.3.4. La garantía no cubre aquellos casos en que el Producto: (i) haya sido objeto de un trato incorrecto; (ii) haya sido inspeccionado, reparado, mantenido o manipulado por persona no autorizada; (iii) haya sido reparado o mantenido con piezas no originales o (iv) haya sido instalado o puesto en marcha de manera incorrecta.
- 9.3.5. Cuando la falta de conformidad del Producto sea consecuencia de una incorrecta instalación o puesta en marcha, la presente garantía sólo responderá cuando dicha instalación o puesta en marcha esté incluida en el contrato de compra-venta del Producto y haya sido realizada por el vendedor o bajo su responsabilidad.
- 9.3.6. Daños o fallos del producto debido a cualquiera de las siguientes causas:
- o Programación del sistema y/o calibración inadecuada de los sensores de pH/ORP por parte del usuario.
  - o Funcionamiento a salinidades inferiores a 3 g./l. de cloruro sódico y/o temperaturas inferiores a 15°C o superiores a 40°C.
  - o Funcionamiento a pH superior a 7,6.
  - o Empleo de productos químicos no autorizados de forma explícita.
  - o Realización de tareas de limpieza de los electrodos con frecuencias injustificadamente altas, o con productos y/o procedimientos diferentes a los descritos en el Manual de Instrucciones.
  - o Exposición a ambientes corrosivos y/o temperaturas inferiores a 0°C o superiores a 50°C.



EN PRODUCTS  
FR PRODUITS  
ES PRODUCTOS  
IT PRODOTTI  
DE PRODUKTE  
PT PRODUTOS

**SALT ELECTROLYSIS SYSTEM**  
**SYSTÈME D'ÉLECTROLYSE SALINE**  
**SISTEMA DE ELECTROLISIS DE SAL**  
**SISTEMA D'ELETTROLISI SALINA**  
**SALZ-ELEKTROLYSE-SYSTEM**  
**SISTEMA DE ELECTRÓLISE SALINA**

DOM-12 / DOM-12 PH / DOM-12 PLUS  
DOM-24 / DOM-24 PH / DOM-24 PLUS  
DOM-32 / DOM-32 PH / DOM-32 PLUS  
DOM-42 / DOM-42 PH / DOM-42 PLUS

**DECLARATION EC OF CONFORMITY**

The products listed above are in compliance with:

Low Voltage Directive (LVD) 2006/95/EC.  
Electromagnetic Compatibility Directive (CEM)  
2004/108/EC.  
ROHS Directive 2011/65/EC.

**DÉCLARATION CE DE CONFORMITÉ**

Les produits énumérés ci-dessus sont conformes à:

La Directive des Appareils à Basse Tension (LVD)  
2006/95/EC.  
La Directive de Compatibilité Électromagnétique (CEM)  
2004/108/EC.  
La Directive ROHS 2011/65/EC.

**DECLARACION CE DE CONFORMIDAD**

Los productos arriba enumerados se hallan conformes con:

Directiva de Equipos de Baja Tensión (LVD) 2006/95/EC.  
Directiva de Compatibilidad Electromagnética (CEM)  
2004/108/EC.  
Directiva ROHS 2011/65/EC.

**DICHIARAZIONE CE DI CONFORMITÀ**

I prodotti di cui sopra adempiono alle seguenti direttive:

Direttiva per gli Apparecchi a Bassa Tensione (LVD)  
2006/95/EC.  
Direttiva di Compatibilità elettromagnetica (CEM)  
2004/108/EC.  
Direttiva ROHS 2011/65/EC.

**KONFORMITÄTSESKLÄRUNG CE**

Die oben aufgeführten Produkte sind konform mit:

Richtlinie für Niederspannungsanlagen (LVD) 2006/95/EC.  
Richtlinie zur elektromagnetischen Kompatibilität (CEM)  
2004/108/EC.  
Richtlinie ROHS 2011/65/EC.

**DECLARAÇÃO CE DE CONFORMIDADE**

Os produtos relacionados acima estão conformes as:

Directiva de Equipamentos de Baixa Tensão (LVD)  
2006/95/EC.  
Directiva de Compatibilidade Electromagnética (CEM)  
2004/108/EC.  
Directiva ROHS 2011/65/EC.

**EG-VERKLARING VAN OVEREENSTEMMING**

De onderstaande producten zijn conform met:

de Laagspanningsrichtlijn 2006/95/EEG  
de Richtlijn inzake elektromagnetische compatibiliteit  
2004/108/EEG  
de Richtlijn ROHS 2011/65/EC.

Signature / Qualification:

Signature / Qualification:

Firma / Cargo:

Firma / Qualifica:

Unterschrift / Qualifizierung:

Assinatura / Título:

Handtekening / Kwalificatie:

Gaspar Sánchez Cano  
Gerente

**I.D. ELECTROQUIMICA, S.L.**  
Pol. Ind. Atalayas, Dracma R-19  
E-03114 ALICANTE. Spain.

**02-03-2012**

Made in Spain

I.D. ELECTROQUIMICA, S.L.  
Polig. Ind. Atalayas, c./ Dracma R-19  
E-03114 ALICANTE  
Tel. +34 965101979 Fax +34 965107293  
info@idegis.es www.idegis.es

DOM10182540E112-16

We reserve to change all or part of the articles or contents of this document, without prior notice  
Nous nous reservons le droit de modifier totalment oru en partie les caracteristiques de nos articles ou le contenu de ce document sans pré avis  
Nos reservamos el derecho de cambiar total o parcialmente las características de nuestros artículos o el contenido de eeste documento sin previo aviso  
Ci riservamo il dritto di cambiare totalmente o parzialmente le caratteristiche tecniche dei nostri prodotti ed il cotenuto di questo documntosenza nessun preavviso  
Wir behalten uns das recht vor die eigenschaften unserer produkte oder den inhalt dieses prospektes teilweise oder vollstanding, ohne vorherige benachichtigung zu andern  
Reservamo-nos no dereito de alterar, total ou parcialmente as características dos nossos artigos ou o coteúdo deste documento sem aviso prévio.  
We behouden ons het recht voor om de kenmerken van onze producten of de inhoud van dit document zonder voorafgaande kennisgeving geheel of gedeeltelijk te veranderen